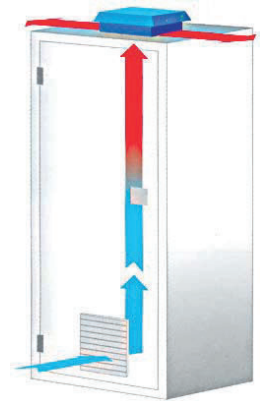


Roof fans 600-1000 m³/hr

ALFATORR ROOF FAN AND VENT



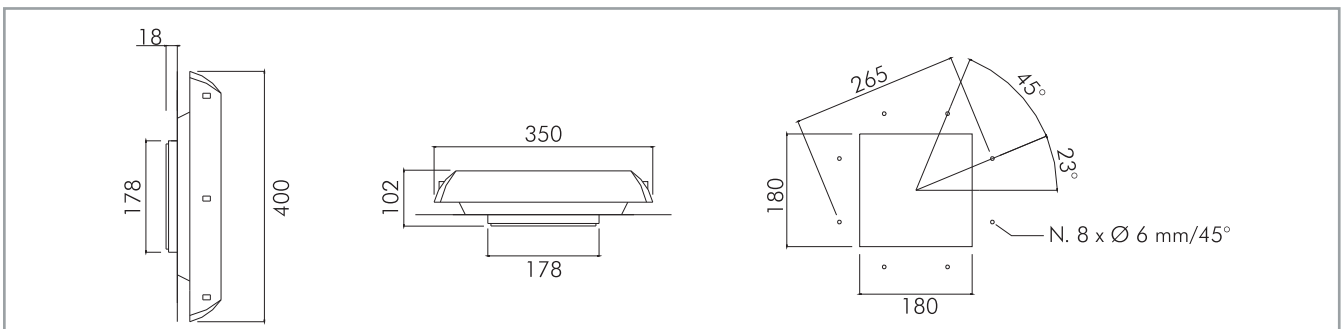
Features	Unit	ALFATORRB	ALFATORR0600B	ALFATORR0610B	ALFATORR0860B	ALFATORR0861B	ALFATORR1000B	ALFATORR1010B
Air flow rate (free blow)	m ³ /h	-	600(625)		860(950)		1000(1050)	
Flow rate with inlet filter	m ³ /h	-	430(450)		580(640)		700(720)	
Power supply	V/Hz	-	230/50-60	115/50-60	230/50-60	115/50-60	230/50-60	115/50-60
Dimensions HxWxD	mm	400x350x102		400x350x102				
Power consumption	W	-	70(90)		85(115)		120(170)	
Current consumption	A	-	0.32(0.40)	0.64(0.80)	0.43(0.50)	0.86(1.00)	0.50(0.75)	1.00(1.50)
Overcurrent protection	-	-	thermal					
Electric connection	-	-	4-pole terminal 2.5 mm ²					
Duty cycle	-	-	100%					
Operating temperature	°C (°F)	-10/+70 (+14/+158)						
Protection degree enclosure side	-	IP44						
Protection class	-	Class I						
Noise level	dB(A)	-	64(65)		72(73)			
Flow direction	-	-	inside-out					
Bearing	-	-	ball					
Service life (at 40°C)	hr	-	50 000					
Material	-	ABS UL94V-0 Color RAL7035						
Gasket	-	self-adhesive						
Weight (with packaging)	kg	2.30(2.50)	3.65(3.85)		4.00(4.20)		4.75(4.95)	
Package dimensions	mm	410x360x130						
Mounting	-	Screws						
Conformity/Certifications	-	CE						

Versions

UL e-File n. E301228	ALFATORRUB	ALFATORR0600UB	ALFATORR0610UB	ALFATORR0860UB	ALFATORR0861UB	-
RAL7032 - Gray - Code ending						delete B
EMC - Code ending		M				-
IP54 - Code ending				F		

Accessories

Thermostat 0-60°C, NO contact	-	THV2
Grill with filter mat		ATV5000
Spare filter mat		ALFAFT10



Specifications, values and drawings are subject to change without notice.



Roof fans 1500-1550 m³/hr

ALFATORR14 ROOF FANS



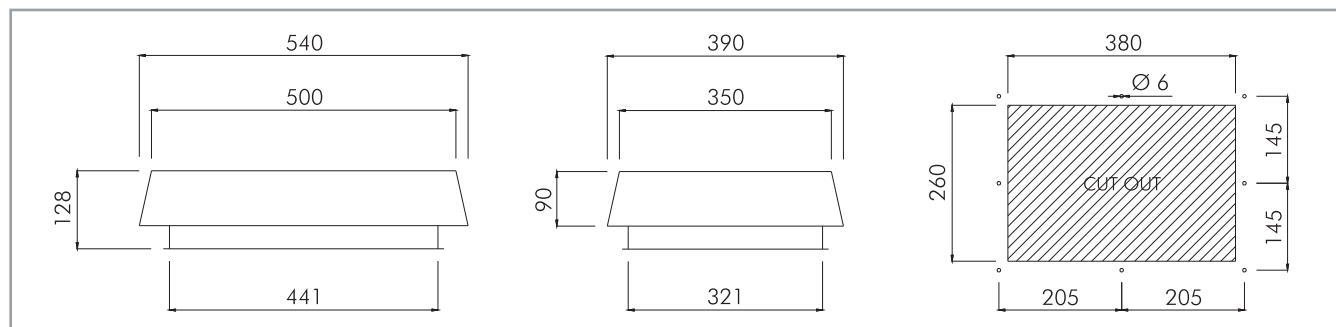
Features	Unit	ALFATORRMETB	ALFATORR1450B	ALFATORR1451B
Air flow rate (free blow)	m ³ /h	-	1500 (1550)	
Air flow rate with exit filter	m ³ /h	-	900 (950)	
Power supply	V/Hz	-	230 / 50-60	115 / 50-60
Dimensions HxWxD	mm	540x390x128		
Power consumption	W	-	160 (215)	
Current consumption	A	-	0.70 (0.98)	1.40 (1.96)
Overcurrent protection	-	-	thermal	
Electrical connection	-	-	4-poles terminals	
Duty cycle	-	-	100%	
Operating temperature	°C (°F)	-20 / +50 (-4/+122)		
Protection degree / Class	-	-	IP44 / Class I	
Noise level	dB(A)	-	74 (75)	
Flow direction	-	-	inside-out	
Bearing	-	-	ball	
Service life (at 40°C)	hr	-	50 000	
Material	-	Metal RAL7035		
Gasket	-	self-adhesive		
Weight (with packaging)	kg	5.2 (5.5)	11.3 (12.3)	
Package dimensions	mm	550x400x140		
Mounting	-	screws		
Conformity/Certifications	-	CE		

Versions

RAL7032 - Gray - Code ending		delete B
IP54 - Code ending		F

Accessories

Thermostat 0-60°C, NO contact	-	THV2
Grill with filter mat		ATV5000
Spare filter mat		ALFAFT15



Specifications, values and drawings are subject to change without notice.