

PERFECT Kabelverschraubung

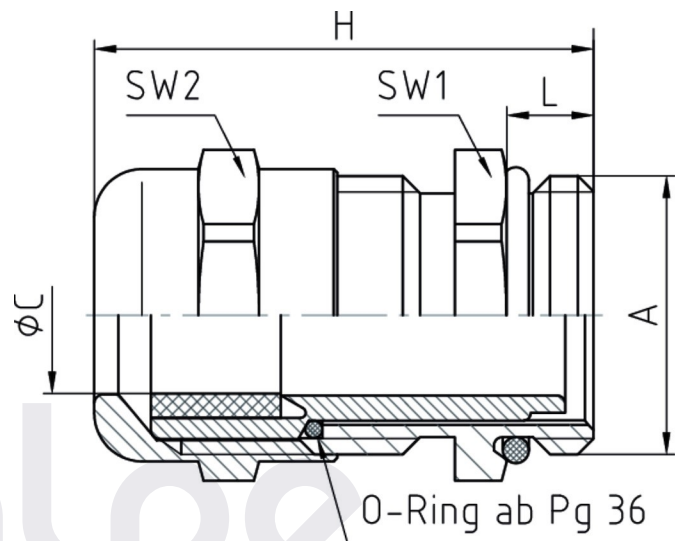
50.0xx

| | |
|------------------|---------------------------------------|
| Hutmutter | Messing CuZn39Pb3, galv. vernickelt |
| Lamelleneinsatz | Polyamid PA6 V-2 |
| Dichtring | Polychloropren-Nitrilkautschuk CR/NBR |
| Zwischenstutzen | Messing CuZn39Pb3, galv. vernickelt |
| O-Ring | Nitrilkautschuk NBR |
| Anschlussgewinde | Pg, nach DIN 40430 |



Eigenschaften

| | |
|-------------------|---------------------------------------------------------------------------------------------------------------------------------------------------------------------------------|
| | <ul style="list-style-type: none"> • integrierte Zugentlastung • Verdreherschutz • großer Dicht- und Klemmbereich • montagefreundlich |
| Temperaturbereich | -20 °C / +100 °C (dynamisch) -40 °C (statisch, kurzzeitig) |
| Schutzart | IP68 5 bar |




Merkmale

Anschlussgewinde Standardlänge

| A | ØC | L | SW1 | SW2 | H | VPE | Art.-Nr. |
|---------|---------|-----|-----|-----|-------------------|-----|----------|
| Pg 7 | 3 - 6,5 | 5 | 14 | 14 | 24 | 100 | 50.007 |
| Pg 9 | 4 - 8 | 6 | 17 | 17 | 29 | 100 | 50.009 |
| Pg 11 | 5 - 10 | 6 | 20 | 20 | 29,5 | 50 | 50.011 |
| Pg 13,5 | 6 - 12 | 6,5 | 22 | 22 | 31,5 | 50 | 50.013 |
| Pg 16 | 10 - 14 | 6,5 | 24 | 24 | 31,5 ¹ | 50 | 50.016 |
| Pg 21 | 13 - 18 | 7 | 30 | 30 | 34 | 50 | 50.021 |
| Pg 29 | 18 - 25 | 8 | 40 | 40 | 39 | 25 | 50.029 |
| Pg 36 | 24 - 32 | 9 | 50 | 50 | 45 | 10 | 50.036 |
| Pg 42 | 30 - 38 | 10 | 57 | 57 | 49 | 5 | 50.042 |
| Pg 48 | 34 - 44 | 10 | 64 | 64 | 52 | 5 | 50.048 |

Anschlussgewinde lang

Jacob

| A | ØC | L | SW1 | SW2 | H |  VPE | Art.-Nr. |
|---------|---------|----|-----|-----|------|-------------------------------------------------------------------------------------------|-------------|
| Pg 7 | 3 - 6,5 | 15 | 14 | 14 | 34 | 100 | 50.007-15MM |
| Pg 9 | 4 - 8 | 15 | 17 | 17 | 38 | 100 | 50.009-15MM |
| Pg 11 | 5 - 10 | 15 | 20 | 20 | 38,5 | 50 | 50.011-15MM |
| Pg 13,5 | 6 - 12 | 15 | 22 | 22 | 40 | 50 | 50.013-15MM |
| Pg 16 | 10 - 14 | 15 | 24 | 24 | 40 | 50 | 50.016-15MM |
| Pg 21 | 13 - 18 | 15 | 30 | 30 | 42 | 50 | 50.021-15MM |
| Pg 29 | 18 - 25 | 15 | 40 | 40 | 46 | 25 | 50.029-15MM |

