



Reduction

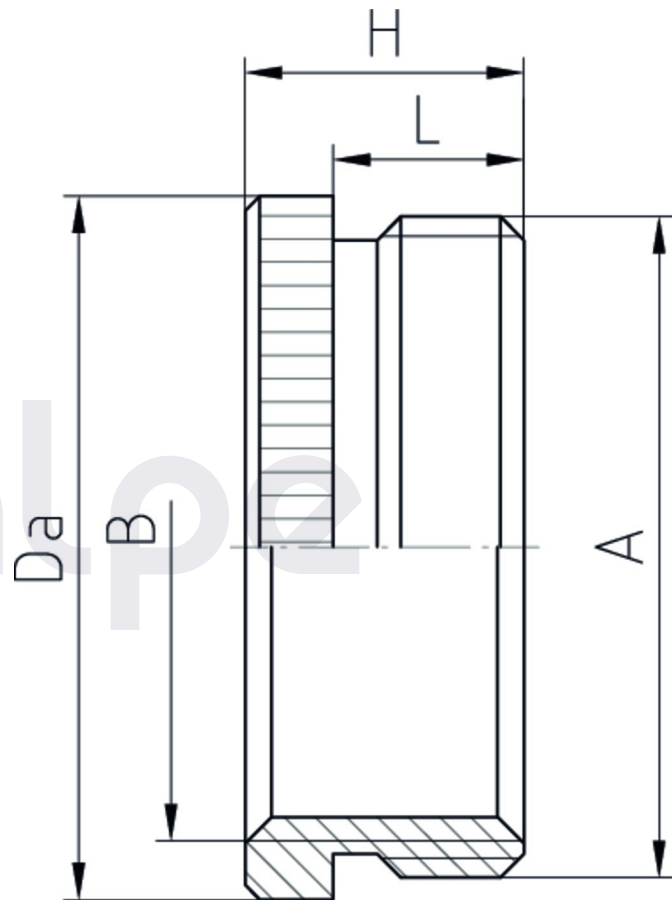
Reduction	Brass CuZn39Pb3, nickel-plated
External thread	metric, as per EN 60423
Internal thread	metric, as per EN 60423



Properties

Temperature range	-60 °C +200 °C
Protection grade	dependent on the combination with other components

- reduction of threaded or clearance holes to smaller thread sizes




Features

A	B	L	H	Da		Part No.
M16x1,5	M12x1,5	6	8,5	20	100	M16M12
M20x1,5	M12x1,5	6,5	9	24	100	M20M12
M20x1,5	M16x1,5	6,5	9	24	100	M20M16
M25x1,5	M16x1,5	7	10	30	100	M25M16
M25x1,5	M20x1,5	7	10	30	100	M25M20
M32x1,5	M20x1,5	8	11,5	39	50	M32M20
M32x1,5	M25x1,5	8	11,5	39	50	M32M25



Jacob

A	B	L	H	Da		Part No.
M40x1,5	M25x1,5	9	12,5	50	25	M40M25
M40x1,5	M32x1,5	9	12,5	50	25	M40M32
M50x1,5	M32x1,5	10	14	57	10	M50M32
M50x1,5	M40x1,5	10	14	57	10	M50M40
M63x1,5	M40x1,5	10	14	70	10	M63M40
M63x1,5	M50x1,5	10	14	70	10	M63M50

calpe