

Copper Tubular Lugs from 6 to 95 mm²

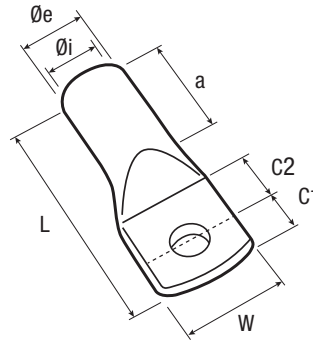


General features

- ✓ Electrolytic copper (EN 13600).
- ✓ Electrolytic plating process.
- ✓ Funnel entry.
- ✓ Other treatments upon request.
- ✓ For lugs with inspection hole, remove "SV" from part number (eg. DE25-8).



Note: for lugs bent at 45° or 90°, add 45E or 90 E to the part number (eg. DE95-10SV90E).



mm ²	Item code	Part No.		Ø mm	W	Ø i	Ø e	C1	C2	a	L	
6	7360200	DE6-4SV	100	4	10	3.5	6.5	6.8	6.5	9	26.5	
	7360215	DE6-5SV	100	5	10	3.5	6.5	6.8	6.5	9	26.5	..R6
	7360230	DE6-6SV	100	6	12	3.5	6.5	6.8	6.5	9	26.5	
	7360245	DE6-8SV	100	8	15	3.5	6.5	9.8	9.5	9	32.5	
10	7360315	DE10-5SV	100	5	12	4.5	7	6.8	6.5	10	28	
	7360330	DE10-6SV	100	6	12	4.5	7	6.8	6.5	10	28	..R10
	7360345	DE10-8SV	100	8	15	4.5	7	9.8	9.5	10	34	
	7360360	DE10-10SV	100	10	17	4.5	7	11.8	11.5	10	38	
16	7360415	DE16-5SV	100	5	12	5.5	8.5	6.8	6.5	13	31.5	
	7360430	DE16-6SV	100	6	12	5.5	8.5	6.8	6.5	13	31.5	..R16
	7360445	DE16-8SV	100	8	15	5.5	8.5	9.8	9.5	13	37.5	
	7360460	DE16-10SV	100	10	17	5.5	8.5	11.8	11.5	13	41.5	
25	7360510	DE25-5SV	50	5	14	7	10	7	7	15	35.5	
	7360525	DE25-6SV	50	6	14	7	10	7	7	15	35.5	
	7360540	DE25-8SV	50	8	16	7	10	9.5	9.5	15	40.5	..R25
	7360555	DE25-10SV	50	10	18	7	10	11.5	11.5	15	44.5	
35	7360570	DE25-12SV	50	12	19	7	10	13	13.5	15	48	
	7360610	DE35-6SV	50	6	17	8.5	12	7	7	17	39	
	7360625	DE35-8SV	50	8	17	8.5	12	9.5	9.5	17	44	..R35
	7360640	DE35-10SV	50	10	19	8.5	12	11.5	11.5	17	48	
50	7360655	DE35-12SV	50	12	21	8.5	12	13	13.5	17	51.5	
	7360670	DE35-14SV	50	14	21	8.5	12	14	14.5	17	53.5	
	7360710	DE50-6SV	50	6	20	10	14	9.5	9.5	19	47	
	7360725	DE50-8SV	50	8	20	10	14	9.5	9.5	19	47	..R50
70	7360740	DE50-10SV	50	10	20	10	14	11.5	11.5	19	51	
	7360755	DE50-12SV	50	12	23	10	14	13	13.5	19	54.5	
	7360770	DE50-14SV	50	14	23	10	14	14	14.5	19	56.5	
	7360865	DE70-8SV	25	8	23	12	16.5	11.5	11.5	21	54	..R70
95	7360880	DE70-10SV	25	10	23	12	16.5	11.5	11.5	21	54	
	7360895	DE70-12SV	25	12	23	12	16.5	13	13.5	21	57.5	
	7360910	DE70-14SV	25	14	23	12	16.5	14	14.5	21	59.5	
	7360950	DE70-16SV	25	16	28	12	16.5	15.5	16	21	62.5	
95	7361000	DE95-8SV	25	8	26	13.5	18	11.5	11.5	25	59	..R95
	7361015	DE95-10SV	25	10	26	13.5	18	11.5	11.5	25	59.5	
	7361030	DE95-12SV	25	12	26	13.5	18	13	13.5	25	63	
	7361045	DE95-14SV	25	14	26	13.5	18	14	14.5	25	65	
	7361060	DE95-16SV	25	16	28	13.5	18	15.5	16	25	68	



Conductor size (mm²)



Packing



Stud size



Type of dies

Unless otherwise stated, all dimensions are in millimeters.



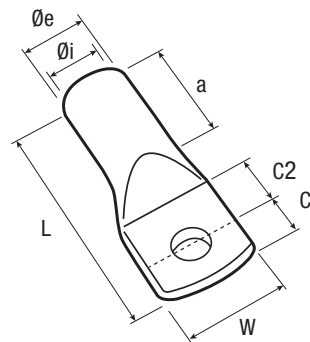
Copper Tubular Lugs from 120 to 400 mm²

General features

- ✓ Electrolytic copper (EN 13600).
- ✓ Electrolytic plating process.
- ✓ Funnel entry.
- ✓ Other treatments upon request.
- ✓ For lugs with inspection hole, remove "SV" from part number (eg. DE25-8).



Note: for lugs bent at 45° or 90°, add 45E or 90E to the part number (eg. DE95-10SV90E).



mm ²	Item code	Part No.	Packing	Stud size Ø mm	W	Ø i	Ø e	C1	C2	a	L	Type of dies
120	7361105	DE120-8SV	20	8	28	15	19.5	13	13.5	26	65.5	..R120
	7361120	DE120-10SV	20	10	28	15	19.5	13	13.5	26	65.5	
	7361135	DE120-12SV	20	12	28	15	19.5	13	13.5	26	65.5	
	7361150	DE120-14SV	20	14	28	15	19.5	14	14.5	26	67.5	
	7361165	DE120-16SV	20	16	30	15	19.5	15.5	16	26	70.5	
150	7361205	DE150-8SV	20	8	31	16.5	21	14.5	14.5	30	73	..R150
	7361220	DE150-10SV	20	10	31	16.5	21	14.5	14.5	30	73	
	7361235	DE150-12SV	20	12	31	16.5	21	14.5	14.5	30	73	
	7361250	DE150-14SV	20	14	31	16.5	21	14.5	14.5	30	73	
	7361265	DE150-16SV	20	16	31	16.5	21	15.5	16	30	75.5	
185	7361315	DE185-10SV	10	10	35	19	24	17	18	30	81	..R185
	7361330	DE185-12SV	10	12	35	19	24	17	18	30	81	
	7361345	DE185-14SV	10	14	35	19	24	17	18	30	81	
	7361360	DE185-16SV	10	16	35	19	24	17	18	30	81	
	7361380	DE185-20SV	10	20	39	19	24	21	22	30	89	
240	7361415	DE240-10SV	10	10	39	21	26	17	18	35	88	..R240
	7361430	DE240-12SV	10	12	39	21	26	17	18	35	88	
	7361445	DE240-14SV	10	14	39	21	26	17	18	35	88	
	7361460	DE240-16SV	10	16	39	21	26	17	18	35	88	
	7361480	DE240-20SV	10	20	39	21	26	21	22	35	96	
300	7361530	DE300-12SV	5	12	43	23.5	29.5	17	18	44	99	..R300
	7361545	DE300-14SV	5	14	43	23.5	29.5	17	18	44	99	
	7361560	DE300-16SV	5	16	43	23.5	29.5	17	18	44	99	
	7361580	DE300-20SV	5	20	43	23.5	29.5	21	22	44	107	
	7361630	DE400-12SV	5	12	49	27	34	23	23	44	112	
400	7361645	DE400-14SV	5	14	49	27	34	23	23	44	112	..R400
	7361660	DE400-16SV	5	16	49	27	34	23	23	44	112	
	7361680	DE400-20SV	5	20	49	27	34	23	23	44	112	



Conductor size (mm²)



Packing



Stud size



Type of dies

Unless otherwise stated, all dimensions are in millimeters.