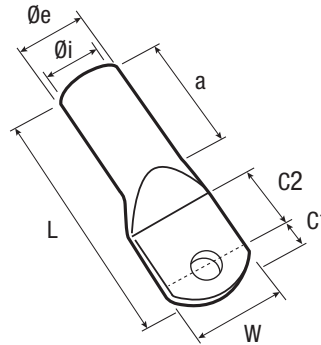
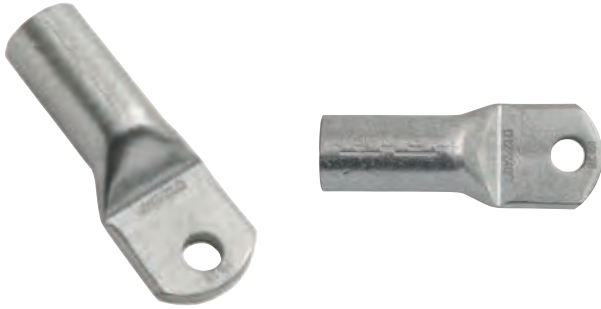




Copper Tubular Lugs from 6 to 95 mm²

General features

- ✓ Electrolytic copper (EN 13600).
- ✓ Electrolytic tin-plating process.
- ✓ For non tin-plated lugs, remove « TN » from part number.



mm ²	Item code	Part No.	Packing	Stud size Ø mm	W	Ø i	Ø e	C1	C2	a	L	Type of dies
6	7362001	YCA06M5TN	100	5	8.5	3.8	5.5	8	8	10	32	.K5
	7362011	YCA06M6TN	100	6	8.5	3.8	5.5	8	8	10	32	
	7362021	YCA06M8TN	100	8*	13	3.8	5.5	11	9	10	32	
10	7362031	YCA010M5TN	100	5	9	4.5	6	8	8	10	35	.K6
	7362041	YCA010M6TN	100	6	9	4.5	6	8	8	10	35	
	7362051	YCA010M8TN	100	8*	13	4.5	6	10	10	10	39	
16	7362061	YCA016M6TN	100	6	13	5.5	8.5	10	10	20	46	.K8
	7362071	YCA016M8TN	100	8	13	5.5	8.5	10	10	20	46	
	7362081	YCA016M10TN	100	10	17	5.5	8.5	13	13	20	49	
	7362091	YCA016M12TN	100	12*	18	5.5	8.5	12	12	20	48	
25	7362101	YCA025M6TN	100	6	14	7	10	10	10	20	48	.K10
	7362111	YCA025M8TN	100	8	16	7	10	10	10	20	48	
	7362121	YCA025M10TN	100	10	17	7	10	13	13	20	51	
	7362131	YCA025M12TN	100	12	19	7	10	13	13	20	51	
35	7362141	YCA035M6TN	50	6*	17	8.2	12.5	13	13	20	55	.K12
	7362151	YCA035M8TN	50	8	17	8.2	12.5	13	13	20	55	
	7362161	YCA035M10TN	50	10	19	8.2	12.5	13	13	20	55	
	7362171	YCA035M12TN	50	12	21	8.2	12.5	13	13	20	55	
	7362181	YCA035M14TN	50	14*	21	8.2	12.5	13	13	20	55	
50	7362191	YCA050M8TN	50	8	20	10	14.5	12	12	28	64	.K14
	7362201	YCA050M10TN	50	10	22	10	14.5	12	12	28	64	
	7362211	YCA050M12TN	50	12	24	10	14.5	16	16	28	64	
	7362221	YCA050M14TN	50	14*	24	10	14.5	16	16	28	68	
	7362231	YCA050M16TN	50	16	28	10	14.5	16	16	28	68	
70	7362241	YCA070M8TN	50	8	24	11.5	16.5	12	12	28	67	.K16
	7362251	YCA070M10TN	50	10	24	11.5	16.5	12	12	28	67	
	7362261	YCA070M12TN	50	12	24	11.5	16.5	16	16	28	71	
	7362271	YCA070M14TN	50	14*	24	11.5	16.5	16	16	28	71	
	7362281	YCA070M16TN	50	16	30	11.5	16.5	16	16	28	71	
95	7362291	YCA095M8TN	25	8*	28	13.5	19	14	13	35	79	.K18
	7362301	YCA095M10TN	25	10	28	13.5	19	14	13	35	79	
	7362311	YCA095M12TN	25	12	28	13.5	19	14	13	35	79	
	7362321	YCA095M14TN	25	14*	28	13.5	19	16	16	35	81	
	7362331	YCA095M16TN	25	16	32	13.5	19	16	16	35	81	
	7362333	YCA095M20TN	25	20*	34	13.5	19	16	16	35	81	

* Additional product similar to standard DIN 46235



Conductor size (mm²)



Packing



Stud size



Type of dies

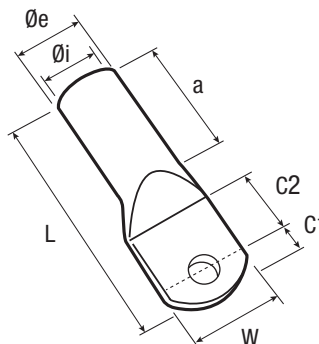
Unless otherwise stated, all dimensions are in millimeters.

Copper Tubular Lugs from 120 to 1000 mm²



General features

- ✓ Electrolytic copper (EN 13600).
- ✓ Electrolytic tin-plating process.
- ✓ For non tin-plated lugs, remove « TN » from part number.



mm ²	Item code	Part No.	Packing	Stud size	W	Ø i	Ø e	C1	C2	a	L	Type of dies
120	7362341	YCA120M10TN	25	10	32	15.5	21	13	13	35	83	..K20
	7362351	YCA120M12TN	25	12	32	15.5	21	14	13	35	84	
	7362361	YCA120M14TN	25	14*	32	15.5	21	14	13	35	84	
	7362371	YCA120M16TN	25	16	32	15.5	21	17	16	35	90	
	7362381	YCA120M20TN	25	20	38	15.5	21	20	20	35	97	
150	7362391	YCA150M10TN	25	10	34	17	23.5	13	13	35	91	..K22
	7362401	YCA150M12TN	25	12	34	17	23.5	14	13	35	92	
	7362411	YCA150M14TN	25	14*	34	17	23.5	14	13	35	92	
	7362421	YCA150M16TN	25	16	34	17	23.5	17	16	35	98	
	7362431	YCA150M20TN	25	20	40	17	23.5	20	20	35	105	
185	7362441	YCA185M10TN	25	10	37	19	25.5	13	13	40	95	..K25
	7362451	YCA185M12TN	25	12	37	19	25.5	14	13	40	96	
	7362461	YCA185M14TN	25	14*	37	19	25.5	14	13	40	96	
	7362471	YCA185M16TN	25	16	37	19	25.5	17	16	40	102	
	7362481	YCAM185M20TN	25	20	40	19	25.5	20	20	40	109	
240	7362491	YCA240M12TN	20	12	42	21.5	29	14	23	40	106	..K28
	7362501	YCA240M14TN	20	14*	42	21.5	29	14	23	40	106	
	7362511	YCA240M16TN	20	16	42	21.5	29	17	23	40	109	
	7362521	YCA240M20TN	20	20	45	21.5	29	20	23	40	112	
	7362531	YCA300M14TN	5	14*	48	24.5	32	17	20	50	117	
300	7362541	YCA300M16YN	5	16	48	24.5	32	17	20	50	117	..K32
	7362551	YCA300M20TN	5	20	48	24.5	32	20	20	50	120	
	7362561	YCA400M14TN	5	14*	55	27.5	38.5	22	20	70	137	
400	7362571	YCA400M16TN	5	16	55	27.5	38.5	22	20	70	137	..K38
	7362581	YCA400M20TN	5	20	55	27.5	38.5	22	20	70	137	
500	7362591	YCA500M16TN	2	16*	60	31	42	22	20	70	147	..K42
	7362601	YCA500M20TN	2	20	60	31	42	22	20	70	147	
625/630	7362611	YCA630M16TN	2	16*	60	34.5	44	22	20	80	157	..K44
	7362621	YCA630M20TN	2	20	60	34.5	44	22	20	80	157	
800	7362631	YCA800M20TN	2	20	75	40	52	22	20	100	187	..K52
1000	7362641	YCA1000M20TN	2	20	85	44	58	22	20	100	187	..K58

* Additional product similar to standard DIN 46235



Conductor size (mm²)



Packing



Stud size



Type of dies

Unless otherwise stated, all dimensions are in millimeters.