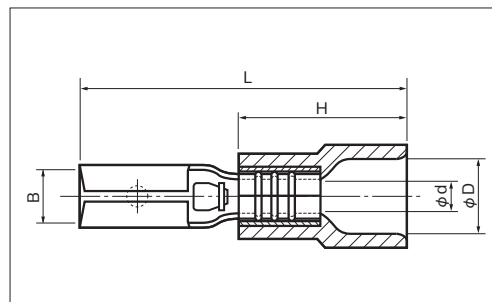
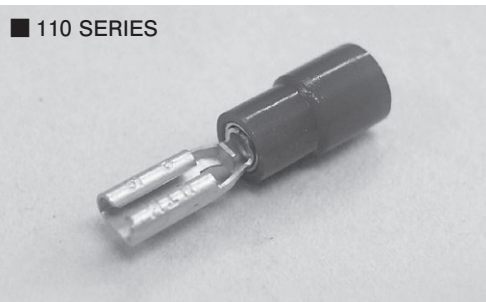




# QUICK-DISCONNECTS

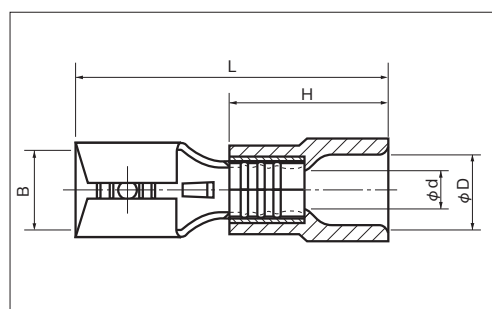
TMEDV : Vinyl



RoHS10

See page 2

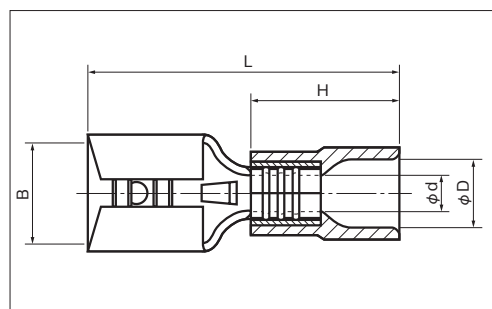
PART NUMBER	DIMENSIONS mm					MATING TAB THICKNESS mm	WIRE RANGE		TOOL No.		STD COLOR	STD QTY/BOX
	B	L	φd	φD	H		STRANDED mm <sup>2</sup>	AWG	HAND TOOL No.	TOOL BODY No.   DIES No.		
TMEDV 280509-F ○	3.2	19.5	1.8	4.1	10.0	0.5	0.75~1.25	18-16	NH 11 NH 32	NA 10 NA 3   N10 11 N3 11	RED	1,000 (100×10)
TMEDV 280809-F ○						0.8						



RoHS10

See page 2

PART NUMBER	DIMENSIONS mm					MATING TAB THICKNESS mm	WIRE RANGE		TOOL No.		STD COLOR	STD QTY/BOX
	B	L	φd	φD	H		STRANDED mm <sup>2</sup>	AWG	HAND TOOL No.	TOOL BODY No.   DIES No.		
TMEDV 480509-F ○	5.0	19.5	1.8	4.1	10.0	0.5	0.75~1.25	18-16	NH 11 NH 32	NA 10 NA 3   N10 11 N3 11	RED	1,000 (100×10)
TMEDV 480809-F ○						0.8						
TMEDV 480520-F ○	5.0	19.5	2.4	4.5	10.0	0.5	2.0	14	NH 12 NH 32	NA 10 NA 3   N10 12 N3 12	BLUE	1,000 (100×10)
TMEDV 480820-F ○						0.8						



RoHS10

See page 2

PART NUMBER	DIMENSIONS mm					MATING TAB THICKNESS mm	WIRE RANGE		TOOL No.		STD COLOR	STD QTY/BOX	
	B	L	φd	φD	H		STRANDED mm <sup>2</sup>	AWG	HAND TOOL No.	TOOL BODY No.   DIES No.			
TMEDV 630809-F ○	6.8	21.0	1.7	4.1	10.0	0.8	0.75~1.25	18-16	NH 11 NH 32	NA 10 NA 3   N10 11 N3 11	RED	1000 (100×10)	
TMEDV 630820-F ○									NH 12 NH 32				NA 10 NA 3   N10 12 N3 12
TMEDV 630855-F ○									NH 13				

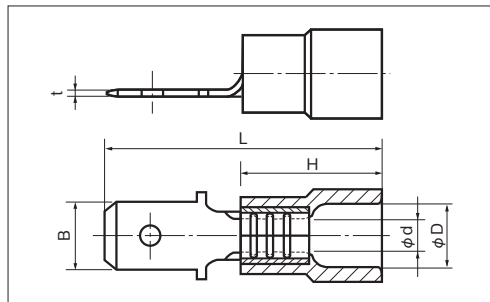
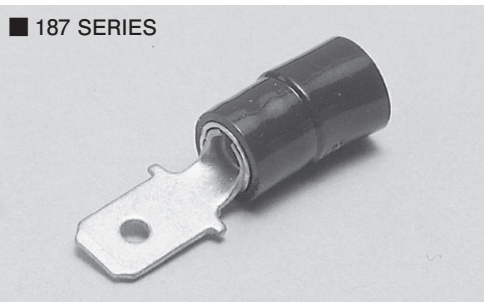
- NOTE 1) ○ : UL/CSA  
 2) Refer to page 71 for UL/CSA, proper strip length of wire.  
 3) TMD & TMDEN Types are also available, see page 72.

B



# QUICK-DISCONNECTS

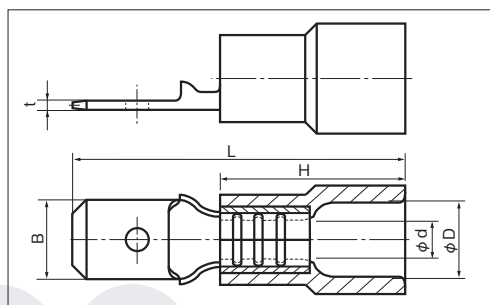
TMEDV : Vinyl



RoHS10

See page 2

PART NUMBER	DIMENSIONS mm						WIRE RANGE		TOOL No.		STD COLOR	STD QTY/BOX	
	B	L	t	φd	φD	H	STRANDED mm <sup>2</sup>	AWG	HAND TOOL No.				
									TOOL BODY No.	DIES No.			
TMEDV 480520-M ○	4.8	19.5	0.5	2.2	4.5	10.0	2.0	14	NH 12 NH 32	NA 10 NA 3	N10 12 N3 12	BLUE	1,000 (100×10)



RoHS10

See page 2

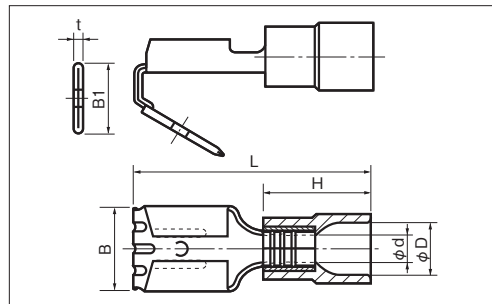
PART NUMBER	DIMENSIONS mm						WIRE RANGE		TOOL No.		STD COLOR	STD QTY/BOX	
	B	L	t	φd	φD	H	STRANDED mm <sup>2</sup>	AWG	HAND TOOL No.				
									TOOL BODY No.	DIES No.			
TMEDV 630809-M ○	6.35	21.0	0.8	1.85	4.1	10.0	0.75~1.25	18-16	NH 11 NH 32	NA 10 NA 3	N10 11 N3 11	RED	1,000 (100×10)
TMEDV 630820-M ○	6.35	21.0	0.8	2.55	4.5	10.0	2.0	14	NH 12 NH 32	NA 10 NA 3	N10 12 N3 12	BLUE	1,000 (100×10)
TMEDV 630855-M ○	6.35	25.0	0.8	3.65	6.8	14.0	3.5~5.5	12-10	NH 13	NA 10 NA 3	N10 13 N3 13	YELLOW	500 (100×5)

- NOTE 1) ○ : UL/CSA  
 2) Refer to page 71 for UL/CSA, proper strip length of wire.  
 3) TMD & TMDEN Types are also available, see page 72.



# QUICK-DISCONNECTS

TMEDV : Vinyl

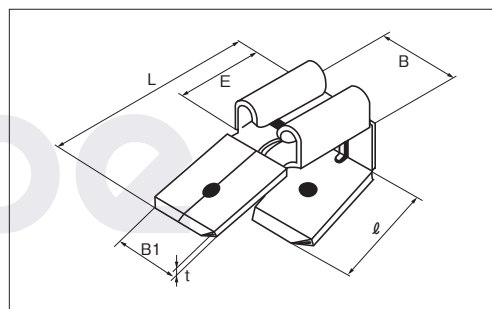


RoHS10

See page 2

PART NUMBER	DIMENSIONS mm							WIRE RANGE		TOOL No.		STD COLOR	STD QTY/BOX
	B	B1	L	$\phi d$	$\phi D$	H	t	STRANDED mm <sup>2</sup>	AWG	HAND TOOL No.	DIES No.		
<b>TMEDV 630809-V</b>	6.9	6.35	22.0	1.85	4.1	10.0	0.8	0.75~1.25	18-16	NA 10 NA 3	NH 11 NH 32 N10 11 N3 11	RED	1,000 (100×10)
<b>TMEDV 630820-V</b>	6.9	6.35	22.0	2.55	4.5	10.0	0.8	2.0	14	NA 10 NA 3	NH 12 NH 32 N10 12 N3 12	BLUE	1,000 (100×10)

- NOTE 1) Refer to page 74 for proper strip length of wire.  
 2) TMD & TMDEN Types are also available , see page 75.



RoHS10

See page 2

PART NUMBER	DIMENSIONS mm						TOOL No.		STD QTY/BOX
	B	B1	L	t	l	E	TOOL BODY No.	DIES No.	
<b>63V</b>	6.9	6.35	18.3	0.8	9.0	7.5	—	—	1,000