



INDUSTRIAL CABLE GLANDS

6

WADI-MAX CABLE GLAND FOR NON-ARMOURED CABLE



HEAVY DUTY CABLE GLAND

SUITABLE FOR THE FOLLOWING CABLE TYPES :

- Non-armoured cable

IP PROTECTION :

IP 66, IP 68

OPERATING TEMPERATURE :

- Neoprene : -40°C to +100°C
- Viton : -20°C to +200°C

SPECIAL FEATURES :

- M72 thread available
- Large range (M12 to M110)
- Extra-large clamping range
- Increased strain relief
- O-Ring on entry thread
- Anti-twisting ring

MATERIAL :

- Nickel-plated brass, stainless steel
- O-ring : nitril

THREAD :

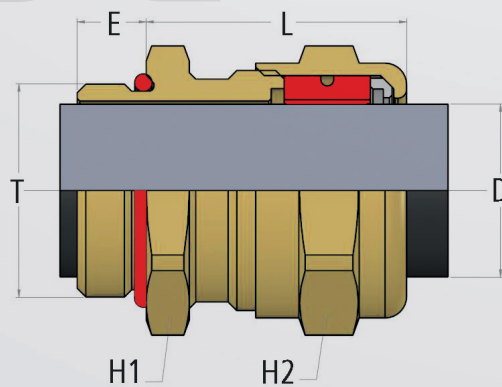
Metric (other thread on request)

CERTIFICATIONS & COMPLIANCES :

IEC 62444

ACCESSORIES AVAILABLE :

See page Accessories



Cable gland size	Metric (T)	Part Number		Overall cable diameter (D)		Across flats (H1)	Across flats (H2)	Thread length (E)	Net length (L)	Weight (Kgs)
		Brass nickel plated	Stainless steel	Min	Max					
12S	M 12	C1504112	C1804112	4,0	8,0	17	17	7,0	26,0	0,031
16S	M 16	C1504116	C1804116	4,0	8,0	20	17	7,0	26,0	0,034
16L	M 16	C1505116	C1805116	7,0	12,0	20	20	7,0	23,0	0,034
20S	M 20	C1506120	C1806120	9,0	16,0	24	24	7,0	27,0	0,043
25S	M 25	C1506125	C1806125	9,0	16,0	28	24	8,0	27,0	0,043
25L	M 25	C1507125	C1807125	13,0	20,5	30	30	8,0	28,0	0,074
32S	M 32	C1507133	C1807133	13,0	21,0	36	30	8,5	28,0	0,100
32L	M 32	C1508132	C1808132	16,0	27,0	40	40	8,5	45,0	0,160
40S	M 40	C1509140	C1809140	21,0	34,0	48	48	8,5	51,0	0,234
50S	M 50	C1510150	C1810150	28,0	41,0	55	55	9,5	56,0	0,304
63S	M 63	C1511163	C1811163	34,0	47,5	65	64	10,5	66,0	0,491
63L	M 63	C1512163	C1812163	39,0	54,0	70	70	10,5	68,0	0,462
72S	M 72	C1513172	C1813172	48,0	64,0	85	85	11,5	82,0	0,860
75S	M 75	C1513175	C1813175	48,0	65,0	85	85	11,5	82,0	0,907
80S	M 80	C1514180	C1814180	55,0	74,0	95	100	12,0	92,0	1,243
90S	M 90	C1515190	C1815190	65,0	83,0	110	125	12,0	101,0	1,900
100S	M 100	C1516199	C1816199	74,0	93,0	120	125	12,0	101,0	2,200
110S	M 110	C1517110	C1817110	74,0	93,0	120	125	12,0	101,0	2,683

Dimension in millimeters