

RUTASEAL Rubber Grommets

RUTASEAL is very simple to use and demands no tools, which in turn means lower work cost. It requires no screwdriver or scissors to make the hole, which otherwise would endanger the IP-class seal. RUTASEAL is SEMKO tested for IP67 internally and externally. The chloroprene version is also DNV approved. RUTASEAL is produced in EPDM and Chloroprene in both PG and Metric. The seals are produced in black, light grey and grey. RUTASEAL has a very high finish and the automatic method of production guarantees the same even and high quality on all products at all times.



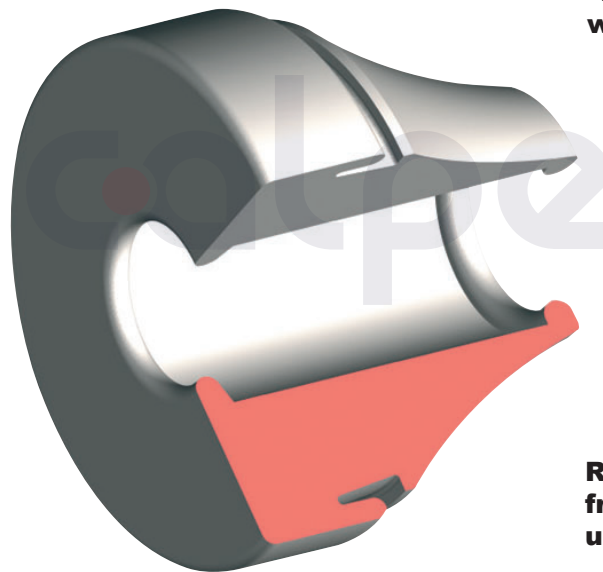
Product features RUTASEAL & RUTASEAL LIGHT

IP Class: IP67 (external).

Both Metric and PG programmes.

"Pushout" membrane with 0,25 mm thickness.

Internal / External holes IP67.



Internal / External holes IP67.

Produced in halogene-free EPDM or Chloroprene.

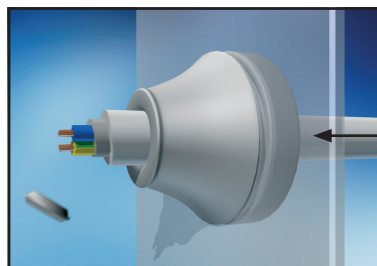
RUTASEAL can be assembled from either end depending upon the application.

Hardness: 60 ± 5 (Shore density).

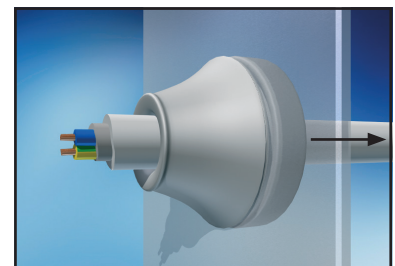
Suits material thickness 0,5 - 4 mm both in plastic and metal.



Push the grommet into the hole.



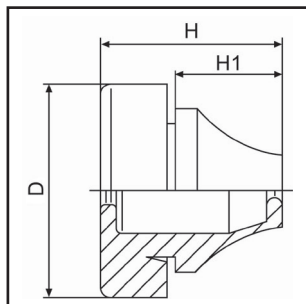
Pierce the grommet with the cable.



The grommet is then locked in position by pulling back on the cable..



RUTASEAL EPDM Metric



Material

EPDM - Halogen Free
Resistant to chemicals and weatherproof.

Mode of protection

IP67

Temperature range

-40°C....+110°C ⁽¹⁾

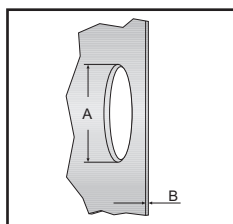
Test standard

EN60670-1:2005+A1:2013

Semko report

1808082 (M12-M50), SE-S-2002133 (M63)
1701111 (M12F, M16F)

- Quick and simple assembly without the use of tools
- Can be assembled from either end depending on application
- "Pushout" membrane



Product number	Size	For cable/ pipe Ø mm	A mm	B mm	D mm	H mm	H1 mm	Pcs pack	
RAL 7001									
T_14 582 33	M12	4 - 7	12,5	0,5 - 2	20	12,7	5,4	50	4000
T_14 582 33-F	M12	4 - 7	12,5	2 - 5	20	12,7	5,4	50	4000
T_14 582 34	M16	5 - 9	16,5	1 - 4	21	18	10,5	50	4000
T_14 582 34-F	M16	5 - 9	16,5	2 - 5	21	18	10,5	50	4000
T_14 582 35	M20	8 - 13	20,5	1 - 4	25,5	20	12,7	50	2000
T_14 582 36	M25	11 - 17	25,5	1 - 4	30,5	21,6	14,5	50	1500
T_14 582 37	M32	15 - 20	32,5	1 - 4	38,5	24,8	17,5	25	750
T_14 582 38	M40	19 - 28	40,5	1 - 4	48,5	30	20,4	25	400
T_14 582 39	M50	27 - 35	50,5	1 - 4	60,5	35	23,9	10	250
T_14 582 40	M63	34 - 45	63,5	1 - 4	73,5	40	28,9	5	125
RAL 9005									
T_14 582 93	M12	4 - 7	12,5	0,5 - 2	20	12,7	5,4	50	4000
T_14 582 93-F	M12	4 - 7	12,5	2 - 5	20	12,7	5,4	50	4000
T_14 582 94	M16	5 - 9	16,5	1 - 4	21	18	10,5	50	4000
T_14 582 94-F	M16	5 - 9	16,5	2 - 5	21	18	10,5	50	4000
T_14 582 95	M20	8 - 13	20,5	1 - 4	25,5	20	12,7	50	2000
T_14 582 96	M25	11 - 17	25,5	1 - 4	30,5	21,6	14,5	50	1500
T_14 582 97	M32	15 - 20	32,5	1 - 4	38,5	24,8	17,5	25	750
T_14 582 98	M40	19 - 28	40,5	1 - 4	48,5	30	20,4	25	400
T_14 582 99	M50	27 - 35	50,5	1 - 4	60,5	35	23,9	10	250
T_14 583 00	M63	34 - 45	63,5	1 - 4	73,5	40	28,9	5	125
RAL 7035									
T_14 583 03	M12	4 - 7	12,5	0,5 - 2	20	12,7	5,4	50	4000
T_14 583 03-F	M12	4 - 7	12,5	2 - 5	20	12,7	5,4	50	4000
T_14 583 04	M16	5 - 9	16,5	1 - 4	21	18	10,5	50	4000
T_14 583 04-F	M16	5 - 9	16,5	2 - 5	21	18	10,5	50	4000
T_14 583 05	M20	8 - 13	20,5	1 - 4	25,5	20	12,7	50	2000
T_14 583 06	M25	11 - 17	25,5	1 - 4	30,5	21,6	14,5	50	1500
T_14 583 07	M32	15 - 20	32,5	1 - 4	38,5	24,8	17,5	25	750
T_14 583 08	M40	19 - 28	40,5	1 - 4	48,5	30	20,4	25	400
T_14 583 09	M50	27 - 35	50,5	1 - 4	60,5	35	23,9	10	250
T_14 583 37	M63	34 - 45	63,5	1 - 4	73,5	40	28,9	5	125

(1) Unstressed material.

RUTASEAL Chloroprene Metric

Material Chloroprene
Resistant to chemicals, ageing and weatherproof.

Mode of protection IP67

Temperature range -30°C....+100°C ⁽¹⁾

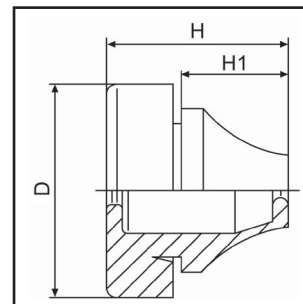
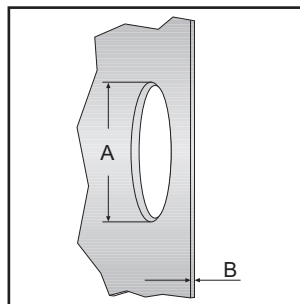
Test standard EN60670-1:2005+A1:2013

Semko report SE-S-2002133 (M12-M50), 1701111 (M63), 1507433 (M12F, M16F)

DNV report TAE00002G6



- Quick and simple assembly without the use of tools
- Can be assembled from either end depending on application
- "Pushout" membrane

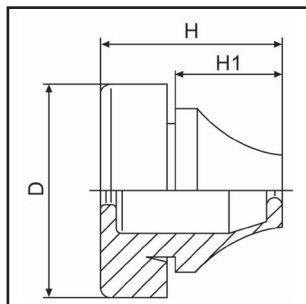
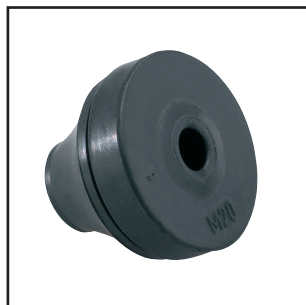


Product number	Size	For cable/ pipe Ø mm	A mm	B mm	D mm	H mm	H1 mm	Pcs pack	
RAL 9005									
T_14 582 53	M12	4 - 7	12,5	0,5 - 2	20	12,7	5,4	50	4000
T_14 582 53-F	M12	4 - 7	12,5	2 - 5	20	12,7	5,4	50	4000
T_14 582 54	M16	5 - 9	16,5	1 - 4	21	18	10,5	50	4000
T_14 582 54-F	M16	5 - 9	16,5	2 - 5	21	18	10,5	50	4000
T_14 582 55	M20	8 - 13	20,5	1 - 4	25,5	20	12,7	50	2000
T_14 582 56	M25	11 - 17	25,5	1 - 4	30,5	21,6	14,5	50	1500
T_14 582 57	M32	15 - 20	32,5	1 - 4	38,5	24,8	17,5	25	750
T_14 582 58	M40	19 - 28	40,5	1 - 4	48,5	30	20,4	25	400
T_14 582 59	M50	27 - 35	50,5	1 - 4	60,5	35	23,9	10	250
T_14 582 60	M63	34 - 45	63,5	1 - 4	73,5	40	28,9	5	125

(1) Unstressed material.



RUTASEAL LIGHT EPDM Metric



Material EPDM - Halogen Free
Resistant to chemicals and weatherproof.

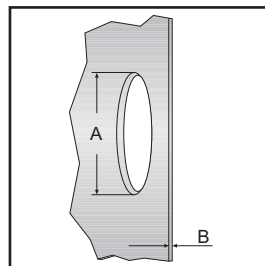
Mode of protection IP67

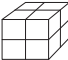
Temperature range -40°C...+110°C ⁽¹⁾

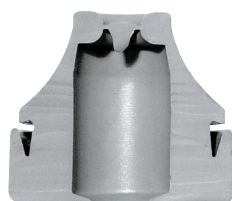
Test standard EN 60670-1:2005+A1:2013

Semko report 1808217

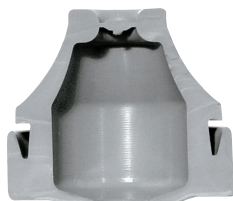
- Quick and simple assembly without the use of tools
- Can be assembled from either end depending on application
- Less material makes it easier to install, as well as pull out
- "Pushout" membrane



Product number	Size	For cable/pipe Ø mm	A mm	B mm	D mm	H mm	H1 mm	Pcs pack	
RAL 7001									
T_14 583 26	M16	5 - 9	16,5	1 - 4	21	18	11	50	4000
T_14 583 27	M20	8 - 12	20,5	1 - 4	25,5	20	13,4	50	2000
T_14 583 28	M25	11 - 16	25,5	1 - 4	30,5	21,6	15,3	50	1500
RAL 9005									
T_14 583 30	M16	5 - 9	16,5	1 - 4	21	18	11	50	4000
T_14 583 31	M20	8 - 12	20,5	1 - 4	25,5	20	13,4	50	2000
T_14 583 32	M25	11 - 16	25,5	1 - 4	30,5	21,6	15,3	50	1500
RAL 7035									
T_14 583 34	M16	5 - 9	16,5	1 - 4	21	18	11	50	4000
T_14 583 35	M20	8 - 12	20,5	1 - 4	25,5	20	13,4	50	2000
T_14 583 36	M25	11 - 16	25,5	1 - 4	30,5	21,6	15,3	50	1500



RUTASEAL



RUTASEAL LIGHT

RUTASEAL LIGHT was originally designed for strip lighting manufacturers and similar applications. Less material makes it lighter and easier to install, while providing IP67 protection. At the same time it is also easier to pull it out of the opening.

(1) Unstressed material.

RUTASEAL EPDM PG

Material EPDM - Halogen Free
Resistant to chemicals and weatherproof.

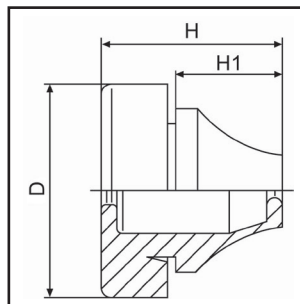
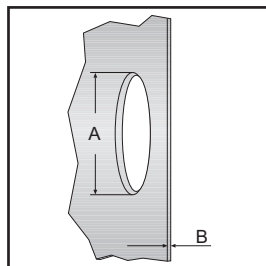
Mode of protection IP67


Temperature range -40°C....+110°C ⁽¹⁾

Test standard EN 60670-1:2005+A1:2013

Semko report SE-S-2002133

- Quick and simple assembly without the use of tools
- Can be assembled from either end depending on application
- "Pushout" membrane



Product number	Size	For cable/ pipe Ø mm	A mm	B mm	D mm	H mm	H1 mm	Pcs pack	
RAL 7001									
T_14 582 20	PG7	3 - 5	13	0,5 - 2	20	12,7	5,4	50	4000
T_14 582 21	PG9	5 - 7	16	1 - 4	21	18	10,3	50	4000
T_14 582 22	PG11	7 - 10	19	1 - 4	24	20	12,7	50	2000
T_14 582 23	PG16	10 - 14	23	1 - 4	28	21,6	14,7	50	1500
T_14 582 24	PG21	14 - 20	29	1 - 4	35	24,8	17,6	25	750
T_14 582 25	PG29	20 - 26	38	1 - 4	46	28,5	20	25	400
T_14 582 26	PG36	26 - 35	48	1 - 4	58	35	23,9	10	250
RAL 9005									
T_RS-PG7S	PG7	3 - 5	13	0,5 - 2	20	12,7	5,4	50	4000
T_RS-PG9S	PG9	5 - 7	16	1 - 4	21	18	10,3	50	4000
T_RS-PG11S	PG11	7 - 10	19	1 - 4	24	20	12,7	50	2000
T_RS-PG16S	PG16	10 - 14	23	1 - 4	28	21,6	14,7	50	1500
T_RS-PG21S	PG21	14 - 20	29	1 - 4	35	24,8	17,6	25	750
T_RS-PG29S	PG29	20 - 26	38	1 - 4	46	28,5	20	25	400
T_RS-PG36S	PG36	26 - 35	48	1 - 4	58	35	23,9	10	250
RAL 7035									
T_14 582 12	PG7	3 - 5	13	0,5 - 2	20	12,7	5,4	50	4000
T_14 582 13	PG9	5 - 7	16	1 - 4	21	18	10,3	50	4000
T_14 582 14	PG11	7 - 10	19	1 - 4	24	20	12,7	50	2000
T_14 582 15	PG16	10 - 14	23	1 - 4	28	21,6	14,7	50	1500
T_14 582 16	PG21	14 - 20	29	1 - 4	35	24,8	17,6	25	750
T_14 582 17	PG29	20 - 26	38	1 - 4	46	28,5	20	25	400
T_14 582 18	PG36	26 - 35	48	1 - 4	58	35	23,9	10	250

(1) Unstressed material.



RUTASEAL Chloroprene PG



Material Chloroprene
Resistant to chemicals, ageing and weatherproof.

Mode of protection IP67

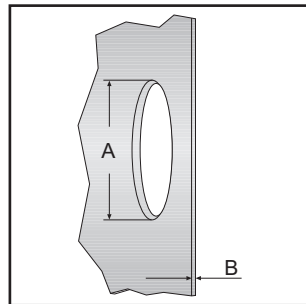
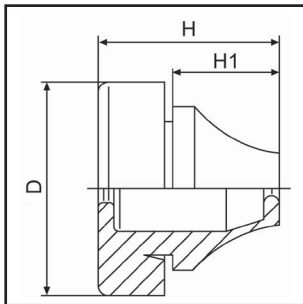
Temperature range -30°C...+100°C ⁽¹⁾

Test standard EN 60670-1:2005+A1:2013

Semko report SE-S-2002133

DNV report TAE00002G6

- Quick and simple assembly without the use of tools
- Can be assembled from either end depending on application
- "Pushout" membrane



Product number	Size	For cable/pipe Ø mm	A mm	B mm	D mm	H mm	H1 mm	Pcs pack	
RAL 9005									
T_14 582 42	PG7	3 - 5	13	0,5 - 2	20	12,7	5,4	50	4000
T_14 582 43	PG9	5 - 7	16	1 - 4	21	18	10,3	50	4000
T_14 582 44	PG11	7 - 10	19	1 - 4	24	20	12,7	50	2000
T_14 582 45	PG16	10 - 14	23	1 - 4	28	21,6	14,7	50	1500
T_14 582 46	PG21	14 - 20	29	1 - 4	35	24,8	17,6	25	750
T_14 582 47	PG29	20 - 26	38	1 - 4	46	28,5	20	25	400
T_14 582 48	PG36	26 - 35	48	1 - 4	58	35	23,9	10	250

(1) Unstressed material.