



# Berker Business Solutions Catalogue



**B.**  
**Berker** Business Solutions

calpe

# Your reliable partner for intelligent solutions.





# We are shaping the future. Join us.



## Our products and solutions are designed to ensure that your customers can make the most of the energy transition.



Daniel Hager  
Hager Group CEO

### Dear friends and partners,

It's clear for all to see; in our industry, society and the working world, the winds of change are sweeping through. Events that elicit enthusiasm in some are met with uncertainty by others. What is going to change, and what will stay the same? And what does all this mean for our business?

One thing is certain: at Hager Group, we are taking ownership of the changes that lie ahead. The future is what we make it, and we have the power to decide our own tomorrow by continually reinventing the future alongside our colleagues, customers and partners.

Take digitalisation, for example; a development that covers almost every area of modern life. Our IoT server harnesses the power of digital to bring you a new world that is virtually without limits, where a host of connected devices and features can be incorporated into building automation. We provide professional seminars and online training to ensure that you and your team are ready to take on the digital challenges that lie ahead. Elsewhere, we provide project planning support for your business in the form of hagercad and ZPlan as well as Hager Ready, our new planning and labelling software that has been met with high levels of user satisfaction.

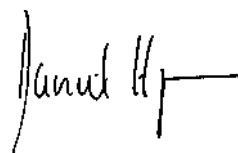
Other examples include energy efficiency and the long-overdue electrical modernisation of our existing buildings. Our products and solutions are designed to ensure that your customers

can make the most of the energy transition. Our portfolio includes all of the components required to make residential and commercial buildings more energy efficient. Together, we can ensure that life in tomorrow's electrical world is more comfortable, climate-friendly and environmentally conscious.

We see it as our role to provide you with the right products and solutions for your customers before they even know they need them. This is not a new approach, far from it; staying close to our customers and partners has always been firmly rooted in our philosophy.

Even though we are seeing radical change in so many areas, much has remained the same. Take for example the trust that has underscored the relationship between Hager Group and the electrical trade for more than 60 years; the strength that results from this partnership; and the knowledge that, together, we will transform the challenges of tomorrow into opportunities.

Yours sincerely,



Daniel Hager

# Under one roof

Members  
of Hager Group

**:hager**

**B.**  
Berker

**ELCOM.**

**DAITEM**

**diagral**

**B. BOCCHIOTTI**

**B. IBOCO**

## One family

The world is changing, and we are changing with it. As a family company, we have grown over the last sixty years to become a reliable partner to expert technicians and electrical wholesalers around the world. With more than 11,500 employees and annual sales of €2 billion, we have a huge capacity for innovation. All while remaining true to ourselves and to our values. And so we continue today, with a number of well-known brands, each with their own distinctive strengths, working together under the Hager Group umbrella.

**Hager Forum** in Obernai, France, is a place where we can work with customers and partners to shape the future. It is the perfect symbol of the innovative power of Hager Group.

# hagergroup



## Your trust

As a partner and customer, you can choose from the entire range of products and services offered by every member of our brand family. For our part, we rely on feedback, ideas and involvement of our customers and partners in the electrical trade. Precise market knowledge and our close relationship with the trade and with end customers have always been the cornerstone of our success. We are now active in more than 120 countries all over the world, yet remain as close to our customers and their individual needs as we have ever been.

## Our strengths

We have huge opportunities ahead: the modernisation of existing buildings, intelligent building technology, digital services, new energy sources and technologies: all of this opens up new, exciting potential for you and for us. At the same time, our business requirements are becoming more and more complex. That's why it's so important for you to have Hager Group specialists supporting you with all their expertise. Together, we are stronger. Together, we will overcome the complex challenges of our time with simple, impressive solutions, just as we have been doing for more than six decades.

# Sustainable success with E3

As a family-run company with strong values, we act today to ensure our long-term success for tomorrow. One way we do this is by investing in our employees and their skills development, optimising our eco-balance and developing processes and solutions that are more energy efficient. Sustainability is rooted in everything that we do, we focus on three particular aspects as part of our E3 approach.

## Ethics



### E for Ethics

Ethical principles determine how we behave towards our customers, our colleagues and society as a whole. By the end of 2018 we had already exceeded our goal for 2020, to have over 17% of management and specialist positions filled by women. Additional areas of focus include Let's talk!, our group-wide Integrity Alert System, and a complete training programme on business ethics.





## E for Environment

Considering products in terms of their lifecycles revolutionises the way in which we view product development, resource usage and our environmental footprint. We recycle 80% of our plastic waste in-house and certain products contain material that has been recycled from consumer waste.



# Environment

**“Thinking and acting sustainably helps us to systematically prevent risks and seize business opportunities at an earlier stage and on a larger scale.”**

# Energy

## E for Energy

Contributing to the energy transition, we provide environmentally friendly, forward-looking solutions that optimise our customers' energy usage. This also applies to the development of sustainable products, particularly in the areas of energy storage systems, integrated energy management systems and e-mobility.



Design at Hager

# In-depth engineering

Staying close to our customers has always been our priority at Hager Group. We're always ready to listen to customers and work towards joint solutions. It's part of our DNA.



Erwin van Handenhoven,  
Hager Group Design Studio Director

Our designs create an intelligent connection between the product and the end user, much like Hager brand itself. We work on the principle of in-depth engineering, which means that, for us, getting to grips with the emotional side of our products is just as important as the technical side of things. Only then can we create solutions that appeal to our customers.

As a provider of electrical solutions, we operate in an industry where design creates added value. At Hager Group, it has been our mission for a number of years to bring together design and technology. From the very beginning, our development teams work closely with our industrial designers, involving customers in the process, to create unique, appealing products that anyone would want to have.

Erwin van Handenhoven

**“For us, getting to grips with the emotional side of our products is just as important as the technical side of things. Only then can we create solutions that appeal to our customers.”**

We aim to recognise the needs of the end user and to ensure that any resulting design considerations are incorporated in the product or digital application right from the early stages of the development process. As a result, we are able to develop and roll out meticulously designed solutions. This is what makes Hager brand: solutions that are systematically tested by end users, who can then give us feedback about their experience.

We want to create sophisticated products that are just as refined as they are safe and simple. The day-to-day work of our teams revolves around our ability to offer user-friendly, innovative, efficient, aesthetically pleasing, contemporary solutions to our customers.

In a sense, our design is our signature; it is our DNA. It unites all of the products in our catalogue and represents the essence of our brand.

#### Outstanding design

We strive for excellence in every field. In the area of design, our efforts are regularly recognised by international awards that assess products based on aesthetics, ergonomics, ethics and emotion. We have been honoured to receive a number of awards over the years; most recently for our gallery range, which was launched in 2018 in France. We have also received recognition for witty, our charging stations for electric vehicles. Our collection of awards includes a Red Dot Design Award, a Good Design Award (Chicago), a Janus Industry Award, which is awarded by the French Institute of Design, an iF Design Award and a German Design Award.



Berker R.8

# Berker integro



- Ultra-compact construction – particularly suitable for use in mobile homes, ambulance vehicles, kitchen furnishings, electrical appliances, or for furniture construction and the field of sanitation.
- Also satisfies special demands such as in boat and ship building and in laboratories.
- Modular product concept.
- Available in three different modern design variants – integro flow, classic and pure.
- Extensive variety of colour finishes.
- Elegant surfaces in smooth gloss and textured matt with pleasant feel.
- Individual customer requirements regarding colour, labelling and materials can be accommodated.



**The Berker integro switch system meets the highest of demands, with Modern design variants, quick assembly and integration of modern communication systems. In addition, the attractive fashionable colours and surfaces offer scope for creative and flexible interior design.**



# Berker integro

## Modular product concept

The Berker integro switch system continues Berker's tradition of a modular product concept. In this regard, the module inserts of Berker integro have already been complemented with the matching functional cover, such as rocker, setting knob and centre plate. All that remains is to combine a module insert with the frame in the appropriate colour, required execution variant, and with the desired design flow, classic or pure. The complete product is then ready. In addition, Berker integro is convincing with a product depth that satisfies any requirement. From the simple connection of TV/audio technology to the switching of light fixtures and the international standardisation of the connector systems – with Berker integro you will find the right solution for your requirement.



Additional basic variants – module inserts:

- TV/audio and international socket outlets
- Rocker push-button, blind push-button

<sup>1</sup>1-gang to 3-gang frame suitable for vertical or horizontal mounting

<sup>2</sup>Shown here in the Flow design

<sup>3</sup>Complete products and multiple combinations are shown as examples only

The product depth, as well as the function and country variants of Berker integro are perfectly complemented by a variety of colour and surface versions. In the overview below, the standard colour variants in the high-quality surface textures of the three integro design lines are presented. Other colour and surface variants are possible on request.

Colour variant	Surface condition	similar to RAL hue	Berker integro design flow	Berker integro design classic	Berker integro design pure
brown	matt	RAL 8017			
anthracite	matt	RAL 7021			
grey	glossy	RAL 7038			
polar white	glossy	RAL 9010			
black	matt	RAL 9011			
black	glossy	RAL 9005			
granite black	satin finish, lacquered	RAL 7026			
chrome	matt, lacquered	RAL 9006			
chrome	glossy, galvanised	RAL 9023			
chrome	matt, lacquered	RAL 9006			
stainless steel	lackiert	RAL 9022			
gold	glossy, galvanised				
Socket outlets					
red	glossy	RAL 3003			
green	glossy	RAL 6032			
orange	glossy	RAL 2008			



Our terms of payment, sales and delivery shall exclusively apply.

Although our publications are intended to provide information to the best of our knowledge, they shall not be construed as being legally binding.

Illustrations are not binding, especially with regard to colour, size and equipment of the products shown.

Industrial property rights exist for many of the products. We reserve the right to make technical and formal changes to our products in the interest of technical progress.

All items in this catalogue which are subject to CE regulations bear the CE mark, which it is also marked in the packaging.



## A.1

	Seite
<b>01 Berker integro – Module inserts</b>	18
<b>02 Berker integro – design flow</b>	68
<b>03 Berker integro – design classic</b>	82
<b>04 Berker integro – design pure</b>	94
<b>05 Berker – design twin</b>	102
<b>06 Berker twin-box</b>	112

## A.2

	Seite
<b>07 Berker – integro box</b>	128
<b>08 Berker built-in socket outlets</b>	136
<b>09 Berker medical and laboratory technology</b>	152
<b>10 Berker Solutions</b>	180
<b>11 Technical information</b>	194

calpe

calpe



# A.1

Page

**01 Berker integro**  
**Module inserts**



18

**02 Berker integro**  
**design flow**



68

**03 Berker integro**  
**design classic**



82

**04 Berker integro**  
**design pure**



94

**05 Berker**  
**design twin**



102

**06 Berker**  
**twin-box**

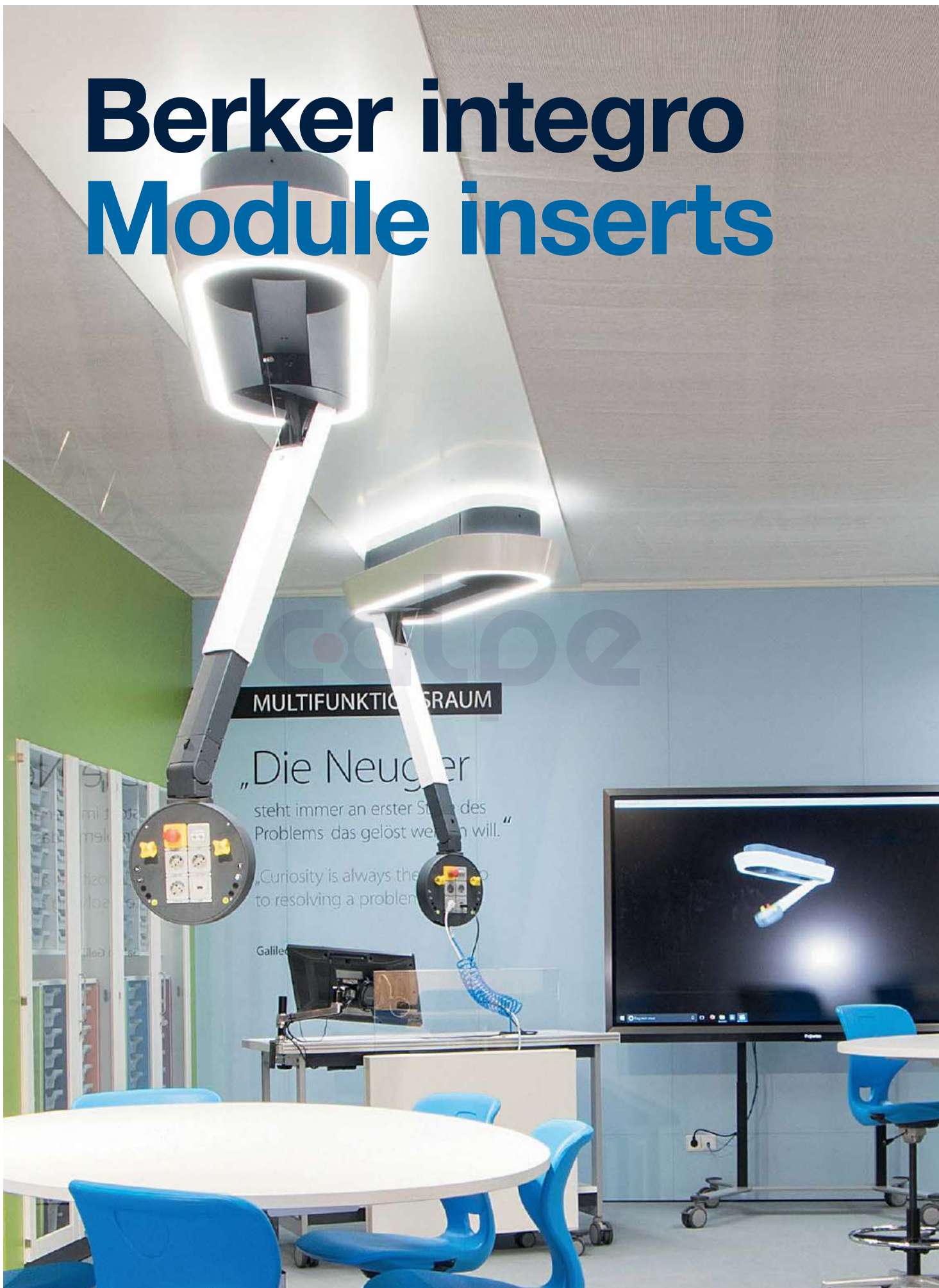


112





# Berker integro Module inserts



MULTIFUNKTIONSBRAUM

„Die Neugier steht immer an erster Stelle des Problems, das gelöst werden will.“

„Curiosity is always the key to resolving a problem.“

Galileo



Berker integro  
Module inserts

# Berker integro Module inserts

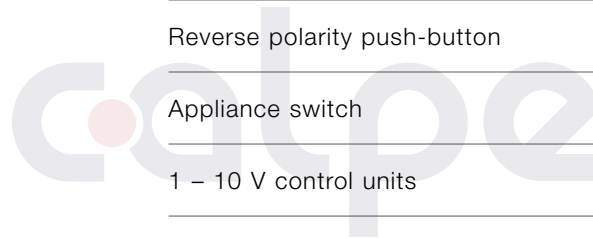
Tiny but virtually indispensable, the round function elements of the module inserts give every unit its unmistakable character. With their minimal dimensions and shallow installation depths, they are extremely versatile. The incredible depth of the product range means you have an excellent variety of functions available, and thus the optimal solution in each case.



# 01

## Page

SCHUKO socket outlets	22
SCHUKO socket outlets with SNAP IN	28
Socket outlets with earthing contact	37
Socket outlets with earthing pin	40
Socket outlets without earthing contact	43
Connecting devices 12 V	44
USB charging sockets	47
TV/multimedia	48
Rocker switch	54
Rocker push-button	58
Blind push-button	60
Reverse polarity push-button	60
Appliance switch	62
1 – 10 V control units	62
Accessories	63



Marked items are suitable for splash-protected IP44 installation when used in conjunction with the corresponding sealing set.

**SCHUKO socket outlets**

- for 4-hole screw fitting

**SCHUKO socket outlets with plug-in terminals**

- thermoplastic centre plates and bases
- contacts made of copper alloy

Marked items are only suitable for splash-protected IP44 installation when used in conjunction with sealing (order no. 918 53), frame with hinged cover and imprint "IP44" and contact protection box.

**SCHUKO socket outlet**



- plug-in terminals



Rated voltage 250 V~  
Rated current 16 A  
Earth bracket clamping forces according to TNO requirements.  
Standard NEN 1010  
Connection terminals according to IEC 60884-1

Suitable for	Order no.	Page
Contact protection box Ø 45 mm	918 20 ..	63
Contact protection box Ø 49 mm	918 8 ..	63
Contact protection box 2gang	9 191 ..	64
Contact protection box 3gang	919 33	64
<b>Optional</b>		
Sealing for IP 44 applications	918 53	78
Frame with hinged cover and imprint "IP44"	8 1828 ..	78

Design	Order no.	PU
brown matt	<b>8 4778 25 01</b>	200
anthracite matt	<b>8 4778 25 05</b>	200
grey matt	<b>8 4778 25 06</b>	200
polar white matt	<b>8 4778 25 02</b>	200
brown matt	<b>9 4778 25 01</b>	10
anthracite matt	<b>9 4778 25 05</b>	10
grey matt	<b>9 4778 25 06</b>	10
polar white matt	<b>9 4778 25 02</b>	10
black matt	<b>9 4778 25 03</b>	10



**SCHUKO socket outlet**



- enhanced contact protection
- plug-in terminals



Rated voltage 250 V~  
Rated current 16 A  
Earth bracket clamping forces according to TNO requirements.  
Standard NEN 1010  
Connection terminals according to IEC 60884-1  
Enhanced contact protection according to IEC 60884-1

Suitable for	Order no.	Page
Contact protection box Ø 45 mm	918 20 ..	63
Contact protection box Ø 49 mm	918 8 ..	63
Contact protection box 2gang	9 191 ..	64
Contact protection box 3gang	919 33	64
<b>Optional</b>		
Sealing for IP 44 applications	918 53	78
Frame with hinged cover and imprint "IP44"	8 1828 ..	78


Design	Order no.	PU
brown matt	<b>8 4779 25 01</b>	200
anthracite matt	<b>8 4779 25 05</b>	200
grey matt	<b>8 4779 25 06</b>	200
polar white matt	<b>8 4779 25 02</b>	200
brown matt	<b>9 4779 25 01</b>	10
anthracite matt	<b>9 4779 25 05</b>	10
grey matt	<b>9 4779 25 06</b>	10
polar white matt	<b>9 4779 25 02</b>	10
black matt	<b>9 4779 25 03</b>	10





**SCHUKO socket outlets with screw terminals**

- thermoplastic centre plates
- duroplast base
- contacts made of copper alloy

 Marked items are only suitable for splash-protected IP44 installation when used in conjunction with sealing (order no. 918 53), frame with hinged cover and imprint "IP44" and contact protection box.

 **SCHUKO socket outlet**

- screw terminals



Rated voltage 250 V~  
Rated current 16 A

Connection terminals according to IEC 60884-1

Suitable for	Order no.	Page
Contact protection box Ø 45 mm	918 20 ..	63
Contact protection box Ø 49 mm	918 8 ..	63
Contact protection box 2gang	9 191 ..	64
Contact protection box 3gang	919 33	64
<b>Optional</b>		
Sealing for IP 44 applications	918 53	78
Frame with hinged cover and imprint "IP44"	8 1828 ..	78

Design	Order no.	PU
brown matt	<b>8 4185 25 01</b>	200
anthracite matt	<b>8 4185 25 05</b>	200
grey matt	<b>8 4185 25 06</b>	200
polar white matt	<b>8 4185 25 02</b>	200
black matt	<b>8 4185 05</b>	200
brown matt	<b>9 4185 25 01</b>	10
anthracite matt	<b>9 4185 25 05</b>	10
grey matt	<b>9 4185 25 06</b>	10
polar white matt	<b>9 4185 25 02</b>	10
black matt	<b>9 4185 05</b>	10



 **SCHUKO socket outlet**

- enhanced contact protection
- screw terminals



Rated voltage 250 V~  
Rated current 16 A


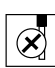
Connection terminals according to IEC 60884-1

Enhanced contact protection according to IEC 60884-1

Suitable for	Order no.	Page
Contact protection box Ø 45 mm	918 20 ..	63
Contact protection box Ø 49 mm	918 8 ..	63
Contact protection box 2gang	9 191 ..	64
Contact protection box 3gang	919 33	64
<b>Optional</b>		
Sealing for IP 44 applications	918 53	78
Frame with hinged cover and imprint "IP44"	8 1828 ..	78

Design	Order no.	PU
brown matt	<b>8 4195 25 01</b>	200
anthracite matt	<b>8 4195 25 05</b>	200
grey matt	<b>8 4195 25 06</b>	200
polar white matt	<b>8 4195 25 02</b>	200
black matt	<b>8 4195 05</b>	200
brown matt	<b>9 4195 25 01</b>	10
anthracite matt	<b>9 4195 25 05</b>	10
grey matt	<b>9 4195 25 06</b>	10
polar white matt	<b>9 4195 25 02</b>	10
black matt	<b>9 4195 05</b>	10





	<b>SCHUKO socket outlet 45°</b>		▶ 196		
	- screw terminals		– for diagonal installation		
		Suitable for	Order no.	Page	
	Rated voltage	250 V~	Contact protection box Ø 49 mm	918 8 ..	63
	Rated current	16 A	Contact protection box 2gang	9 191 ..	64
	Connection terminals according to IEC 60884-1		Contact protection box 3gang	919 33	64
			Contact protection box Ø 58 mm for terminal attachment	818 37 ..	65
			<b>Optional</b>		
			Sealing for IP 44 applications	918 53	78
			Frame with hinged cover and imprint "IP44"	8 1828 ..	78
		Frame with hinged cover and imprint "IP44"	9 1828 25 99 ..	78	
Design		Order no.		PU	
brown matt		<b>8 4185 25 21</b>		200	
anthracite matt		<b>8 4185 25 25</b>		200	
grey matt		<b>8 4185 25 26</b>		200	
polar white matt		<b>8 4185 25 22</b>		200	
black matt		<b>8 4185 25</b>		200	
black matt		<b>9 4185 25</b>		10	

### SCHUKO socket outlets with insulation-piercing terminals

- new insulation displacement contact technology: quick and easy connection with the joining tool, order no. 8 1726 25 81
- VDE approval
- up to 2 flexible conductors with a cross section of 2.5 mm<sup>2</sup> can be connected for each insulation displacement contact; wires do not have to be stripped in advance.
- enables multiple socket outlets to be looped through without breaking the conductors.
- IPT contacts made from copper alloy, tin-plated
- thermoplastic centre plates and bases
- base with snap-on safety cap

Marked items are only suitable for splash-protected IP44 installation when used in conjunction with sealing (order no. 9 1853 01) and frame with hinged cover and imprint "IP44".

	<b>SCHUKO socket outlet</b>		▶ 198		
	- insulation-piercing terminals				
		Suitable for	Order no.	Page	
	Rated voltage	250 V~	Sealing IP44 for socket outlets with insulation displacement contacts	9 1853 01	79
	Rated current	16 A	Frame with hinged cover and imprint "IP44"	8 1828 ..	78
	Conductor cross-section (flexible)	2.5 mm <sup>2</sup>			
	Earth bracket clamping forces according to TNO requirements.				
	Not suitable for contact protection boxes (cavity walls).				
	Connection terminals according to IEC 60884-1				
	Design		Order no.		PU
anthracite matt		<b>8 4800 25 05</b>		200	
grey matt		<b>8 4800 25 06</b>		200	
polar white matt		<b>8 4800 25 02</b>		200	
black matt		<b>8 4800 25 08</b>		200	
red matt		<b>8 4800 25 07</b>		200	
green matt		<b>8 4800 25 03</b>		200	
orange matt		<b>8 4800 25 04</b>		200	



**SCHUKO socket outlet**

- enhanced contact protection
- insulation-piercing terminals



Rated voltage 250 V~  
Rated current 16 A  
Conductor cross-section (flexible) 2.5 mm<sup>2</sup>

Earth bracket clamping forces according to TNO requirements.

Not suitable for contact protection boxes (cavity walls).

Connection terminals according to IEC 60884-1

Enhanced contact protection according to IEC 60884-1

Suitable for Optional	Order no.	Page
Sealing IP44 for socket outlets with insulation displacement contacts	9 1853 01	79
Frame with hinged cover and imprint "IP44"	8 1828 ..	78

Design	Order no.	PU
anthracite matt	<b>8 4801 25 05</b>	200
grey matt	<b>8 4801 25 06</b>	200
polar white matt	<b>8 4801 25 02</b>	200
black matt	<b>8 4801 25 08</b>	200
red matt	<b>8 4801 25 07</b>	200
green matt	<b>8 4801 25 03</b>	200
orange matt	<b>8 4801 25 04</b>	200



**SCHUKO socket outlet with control LED**

- insulation-piercing terminals



Rated voltage 250 V~  
Rated current 16 A  
LED current 1 mA  
Conductor cross-section (flexible) 2.5 mm<sup>2</sup>

Earth bracket clamping forces according to TNO requirements.

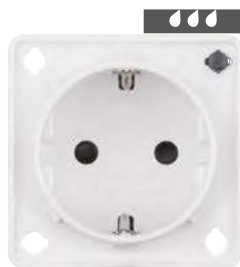
Not suitable for contact protection boxes (cavity walls).

Connection terminals according to IEC 60884-1

Suitable for Optional	Order no.	Page
Frame with hinged cover and imprint "IP44"		from p. 78
Sealing IP44 for socket outlets with insulation displacement contacts	9 1853 01	79

Design	Order no.	PU
anthracite matt	<b>8 4800 25 15</b>	200
grey matt	<b>8 4800 25 16</b>	200
polar white matt	<b>8 4800 25 12</b>	200
black matt	<b>8 4800 25 18</b>	200
red matt	<b>8 4800 25 17</b>	200
green matt	<b>8 4800 25 13</b>	200
orange matt	<b>8 4800 25 14</b>	200





### SCHUKO socket outlet with control LED

- enhanced contact protection
- insulation-piercing terminals



Rated voltage	250 V~
Rated current	16 A
LED current	1 mA
Conductor cross-section (flexible)	2.5 mm <sup>2</sup>

Earth bracket clamping forces according to TNO requirements.

Not suitable for contact protection boxes (cavity walls).

Connection terminals according to IEC 60884-1

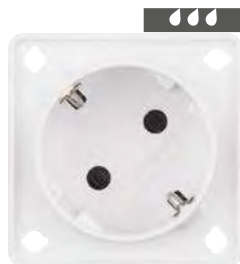
Enhanced contact protection according to IEC 60884-1

- with green control LED as function light

Suitable for	Order no.	Page
<b>Optional</b>		
Frame with hinged cover and imprint "IP44"		from p. 78
Sealing IP44 for socket outlets with insulation displacement contacts	9 1853 01	79



Design	Order no.	PU
anthracite matt	<b>8 4801 25 15</b>	200
grey matt	<b>8 4801 25 16</b>	200
polar white matt	<b>8 4801 25 12</b>	200
black matt	<b>8 4801 25 18</b>	200
red matt	<b>8 4801 25 17</b>	200
green matt	<b>8 4801 25 13</b>	200
orange matt	<b>8 4801 25 14</b>	200



### SCHUKO socket outlet 45°

- insulation-piercing terminals



Rated voltage	250 V~
Rated current	16 A
Conductor cross-section (flexible)	2.5 mm <sup>2</sup>

Earth bracket clamping forces according to TNO requirements.

Not suitable for contact protection boxes (cavity walls).

Connection terminals according to IEC 60884-1

- for diagonal installation

Suitable for	Order no.	Page
<b>Optional</b>		
Sealing IP44 for socket outlets with insulation displacement contacts	9 1853 01	79
Frame with hinged cover and imprint "IP44"	8 1828 ..	78



Design	Order no.	PU
anthracite matt	<b>8 4850 25 05</b>	200
grey matt	<b>8 4850 25 06</b>	200
polar white matt	<b>8 4850 25 02</b>	200
black matt	<b>8 4850 25 08</b>	200
red matt	<b>8 4850 25 07</b>	200
green matt	<b>8 4850 25 03</b>	200
orange matt	<b>8 4850 25 04</b>	200



**SCHUKO socket outlet 45°**

- enhanced contact protection
- insulation-piercing terminals



Rated voltage 250 V~  
Rated current 16 A  
Conductor cross-section (flexible) 2.5 mm<sup>2</sup>

Earth bracket clamping forces according to TNO requirements.

Not suitable for contact protection boxes (cavity walls).

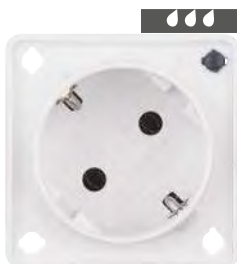
Connection terminals according to IEC 60884-1

Enhanced contact protection according to IEC 60884-1

- for diagonal installation

Suitable for	Order no.	Page
<b>Optional</b>		
Sealing IP44 for socket outlets with insulation displacement contacts	9 1853 01	79
Frame with hinged cover and imprint "IP44"	8 1828 ..	78

Design	Order no.	PU
anthracite matt	<b>8 4851 25 05</b>	200
grey matt	<b>8 4851 25 06</b>	200
polar white matt	<b>8 4851 25 02</b>	200
black matt	<b>8 4851 25 08</b>	200
red matt	<b>8 4851 25 07</b>	200
green matt	<b>8 4851 25 03</b>	200
orange matt	<b>8 4851 25 04</b>	200



**SCHUKO socket outlet 45° with control LED**

- insulation-piercing terminals



Rated voltage 250 V~  
Rated current 16 A  
LED current 1 mA  
Conductor cross-section (flexible) 2.5 mm<sup>2</sup>

Earth bracket clamping forces according to TNO requirements.

Not suitable for contact protection boxes (cavity walls).

Connection terminals according to IEC 60884-1

- with green control LED as function light
- for diagonal installation

Suitable for	Order no.	Page
<b>Optional</b>		
Frame with hinged cover and imprint "IP44"		from p. 78
Sealing IP44 for socket outlets with insulation displacement contacts	9 1853 01	79

Design	Order no.	PU
anthracite matt	<b>8 4850 25 15</b>	200
grey matt	<b>8 4850 25 16</b>	200
polar white matt	<b>8 4850 25 12</b>	200
black matt	<b>8 4850 25 18</b>	200
red matt	<b>8 4850 25 17</b>	200
green matt	<b>8 4850 25 13</b>	200
orange matt	<b>8 4850 25 14</b>	200



# Berker integro - Module inserts SCHUKO socket outlets with SNAP IN



## SCHUKO socket outlet 45° with control LED

- enhanced contact protection
- insulation-piercing terminals



Rated voltage	250 V~
Rated current	16 A
LED current	1 mA
Conductor cross-section (flexible)	2.5 mm <sup>2</sup>

Earth bracket clamping forces according to TNO requirements.

Not suitable for contact protection boxes (cavity walls).

Connection terminals according to IEC 60884-1

Enhanced contact protection according to IEC 60884-1

- with green control LED as function light
- for diagonal installation

Suitable for Optional	Order no.	Page
Frame with hinged cover and imprint "IP44"		from p. 78
Sealing IP44 for socket outlets with insulation displacement contacts	9 1853 01	79

Design	Order no.	PU
anthracite matt	<b>8 4851 25 15</b>	200
grey matt	<b>8 4851 25 16</b>	200
polar white matt	<b>8 4851 25 12</b>	200
black matt	<b>8 4851 25 18</b>	200
red matt	<b>8 4851 25 17</b>	200
green matt	<b>8 4851 25 13</b>	200
orange matt	<b>8 4851 25 14</b>	200



## Joining tool for Berker integro socket outlets with IPT technology


Design	Order no.	PU
blue matt	<b>8 1726 25 81</b>	200
blue matt	<b>9 1726 25 81</b>	10

## SCHUKO socket outlets with SNAP IN

- for catch fixing

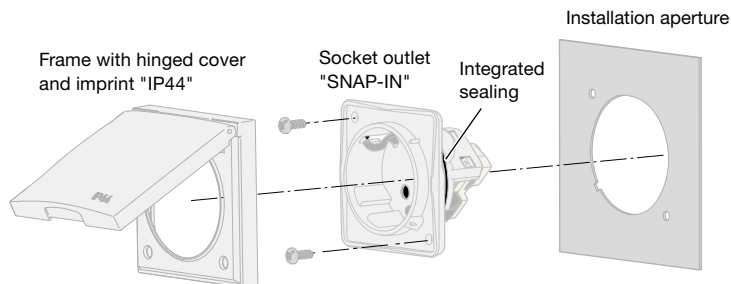
## SCHUKO socket outlets with SNAP IN and plug-in terminals

- thermoplastic centre plates and bases
- contacts made of copper alloy

 Marked items are only suitable for splash-protected IP44 installation when used in conjunction with corresponding frame with hinged cover and imprint "IP44".

## Assembly instructions for IP44 "SNAP-IN" SCHUKO socket outlets

Not suitable for contact protection boxes!



### Attention!

Only upon compliance with the assembly instructions the degree of protection IP 44 is guaranteed.

**SCHUKO socket outlet 45°, SNAP IN**

▶ 196



- plug-in terminals



Rated voltage 250 V~  
Rated current 16 A

- with distance sealing ring
- for diagonal installation

Suitable for Optional	Order no.	Page
Frame with hinged cover and imprint "IP44"	8 1828 ..	78

Earth bracket clamping forces according to TNO requirements.

Not suitable for contact protection boxes (cavity walls).

Standard NEN 1010

Connection terminals according to IEC 60884-1

Design	Order no.	PU
--------	-----------	----

**for installation wall thickness 1 mm (± 0.1 mm)**

anthracite matt	<b>8 4733 25 05</b>	200
-----------------	---------------------	-----

grey matt	<b>8 4733 25 06</b>	200
-----------	---------------------	-----

**for installation wall thickness 1.8 mm (± 0.2 mm)**

grey matt	<b>8 4787 25 06</b>	200
-----------	---------------------	-----



**SCHUKO socket outlet 45°, SNAP IN**

▶ 196



- enhanced contact protection

- plug-in terminals



Rated voltage 250 V~  
Rated current 16 A

- with distance sealing ring
- for diagonal installation

Suitable for Optional	Order no.	Page
Frame with hinged cover and imprint "IP44"	8 1828 ..	78

Earth bracket clamping forces according to TNO requirements.

Not suitable for contact protection boxes (cavity walls).

Standard NEN 1010

Connection terminals according to IEC 60884-1

Enhanced contact protection according to IEC 60884-1

Design	Order no.	PU
--------	-----------	----

**for installation wall thickness 1.8 mm (± 0.2 mm)**

grey matt	<b>8 4788 25 06</b>	200
-----------	---------------------	-----

grey matt	<b>8 4731 25 06</b>	200
-----------	---------------------	-----

grey matt	<b>8 4731 25 06</b>	200
-----------	---------------------	-----



### SCHUKO socket outlet 45° with control LED, SNAP IN

▶ 196



- enhanced contact protection
- plug-in terminals



Operating voltage	250 V~
Rated current	16 A
LED current	1 mA
Installation wall thickness	2 mm

- with green control LED as function light
- with distance sealing ring
- for diagonal installation

Suitable for	Order no.	Page
Optional		
Frame with hinged cover and imprint "IP44"		from p. 78

Earth bracket clamping forces according to TNO requirements.

Not suitable for contact protection boxes (cavity walls).

Standard NEN 1010

Connection terminals according to IEC 60884-1

Enhanced contact protection according to IEC 60884-1

Design	Order no.	PU
<b>for installation wall thickness 2 mm (± 0.2 mm)</b>		
anthracite matt	<b>9 4713 25 05</b>	200
grey matt	<b>9 4713 25 06</b>	200
polar white matt	<b>9 4713 25 02</b>	200
red matt	<b>9 4713 25 76</b>	200
green matt	<b>9 4713 25 03</b>	200
orange matt	<b>9 4713 25 04</b>	200



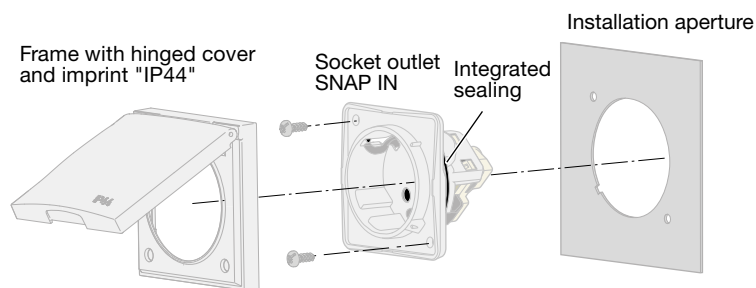
### SCHUKO socket outlets with SNAP IN and screw terminals

- thermoplastic centre plates
- duroplast base
- contacts made of copper alloy

Marked items are only suitable for splash-protected IP44 installation when used in conjunction with corresponding frame with hinged cover and imprint "IP44".

## Assembly instructions for IP44 "SNAP-IN" socket outlets with screw terminals

Not suitable for contact protection boxes!



### Attention!

Only upon compliance with the assembly instructions the degree of protection IP 44 is guaranteed.



**SCHUKO socket outlet 45°, SNAP IN** ▶ 196



- screw terminals



Rated voltage 250 V~  
Rated current 16 A

Not suitable for contact protection boxes (cavity walls).  
Connection terminals according to IEC 60884-1

- with distance sealing ring
- for diagonal installation

Suitable for Optional	Order no.	Page
Frame with hinged cover and imprint "IP44"	8 1828 ..	78



Design	Order no.	PU
<b>for installation wall thickness 1 mm (± 0.1 mm)</b>		
grey matt	<b>8 4104 25 06</b>	200

**SCHUKO socket outlet 45°, SNAP IN** ▶ 196



- enhanced contact protection
- screw terminals



Rated voltage 250 V~  
Rated current 16 A

Not suitable for contact protection boxes (cavity walls).  
Connection terminals according to IEC 60884-1  
Enhanced contact protection according to IEC 60884-1

- with distance sealing ring
- for diagonal installation

Suitable for Optional	Order no.	Page
Frame with hinged cover and imprint "IP44"	8 1828 ..	78



Design	Order no.	PU
<b>for installation wall thickness 1.8 mm (± 0.2 mm)</b>		
grey matt	<b>8 4140 25 06</b>	200

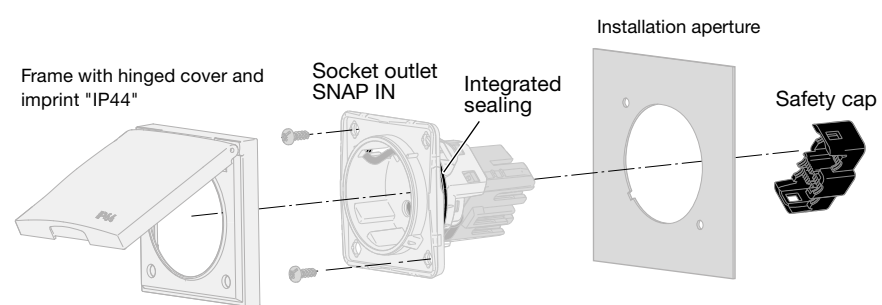
**SCHUKO socket outlets with "SNAP IN" and insulation-piercing terminals**

- new insulation displacement contact technology: quick and easy connection with the joining tool, order no. 8 1726 25 81
- VDE approval
- up to 2 flexible conductors with a cross section of 2.5 mm<sup>2</sup> can be connected for each insulation displacement contact; wires do not have to be stripped in advance.
- enables multiple socket outlets to be looped through without breaking the conductors.
- IPT contacts made from copper alloy, tin-plated
- thermoplastic centre plates and bases
- base with snap-on safety cap

**Marked items are only suitable for splash-protected IP44 installation when used in conjunction with corresponding frame with hinged cover and imprint "IP44".**

**Assembly instructions for IP44 socket outlets with insulation-piercing terminals**

Not suitable for contact protection boxes!



**Attention!**  
Only upon compliance with the assembly instructions the degree of protection IP 44 is guaranteed.



### SCHUKO socket outlet, SNAP IN

- insulation-piercing terminals



Rated voltage 250 V~  
Rated current 16 A  
Conductor cross-section (flexible) 2.5 mm<sup>2</sup>

Earth bracket clamping forces according to TNO requirements.

Not suitable for contact protection boxes (cavity walls).

Connection terminals according to IEC 60884-1

- with distance sealing ring

Suitable for  
Optional

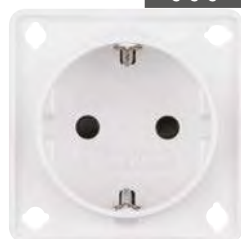
Frame with hinged cover and imprint "IP44"

Order no.  
8 1828 ..

Page  
78

▶ 198

Design	Order no.	PU
<b>for installation wall thickness 1 mm (± 0.1 mm)</b>		
anthracite matt	8 4810 25 05	200
grey matt	8 4810 25 06	200
polar white matt	8 4810 25 02	200
black matt	8 4810 25 08	200
red matt	8 4810 25 07	200
green matt	8 4810 25 03	200
orange matt	8 4810 25 04	200
<b>for installation wall thickness 2 mm (+0.1/-0.3 mm)</b>		
anthracite matt	8 4820 25 05	200
grey matt	8 4820 25 06	200
polar white matt	8 4820 25 02	200
black matt	8 4820 25 08	200
red matt	8 4820 25 07	200
green matt	8 4820 25 03	200
orange matt	8 4820 25 04	200
<b>for installation wall thickness 3 mm (+0.1/-0.3 mm)</b>		
anthracite matt	8 4830 25 05	200
grey matt	8 4830 25 06	200
polar white matt	8 4830 25 02	200
black matt	8 4830 25 08	200
red matt	8 4830 25 07	200
green matt	8 4830 25 03	200
orange matt	8 4830 25 04	200



### SCHUKO socket outlet, SNAP IN

- enhanced contact protection  
- insulation-piercing terminals



Rated voltage 250 V~  
Rated current 16 A  
Conductor cross-section (flexible) 2.5 mm<sup>2</sup>

Earth bracket clamping forces according to TNO requirements.

Not suitable for contact protection boxes (cavity walls).

Connection terminals according to IEC 60884-1

Enhanced contact protection according to IEC 60884-1

- with distance sealing ring

Suitable for  
Optional

Frame with hinged cover and imprint "IP44"

Order no.  
8 1828 ..

Page  
78

▶ 198

Design	Order no.	PU
<b>for installation wall thickness 1 mm (± 0.1 mm)</b>		
anthracite matt	8 4811 25 05	200
grey matt	8 4811 25 06	200
polar white matt	8 4811 25 02	200
black matt	8 4811 25 08	200
red matt	8 4811 25 07	200
green matt	8 4811 25 03	200
orange matt	8 4811 25 04	200



**for installation wall thickness 2 mm (+0.1/-0.3 mm)**

anthracite matt	8 4821 25 05	200
grey matt	8 4821 25 06	200
polar white matt	8 4821 25 02	200
black matt	8 4821 25 08	200
red matt	8 4821 25 07	200
green matt	8 4821 25 03	200
orange matt	8 4821 25 04	200

**for installation wall thickness 3 mm (+0.1/-0.3 mm)**

anthracite matt	8 4831 25 05	200
grey matt	8 4831 25 06	200
polar white matt	8 4831 25 02	200
black matt	8 4831 25 08	200
red matt	8 4831 25 07	200
green matt	8 4831 25 03	200
orange matt	8 4831 25 04	200

**SCHUKO socket outlet with control LED, SNAP IN****- insulation-piercing terminals**

Rated voltage	250 V~
Rated current	16 A
LED current	1 mA
Conductor cross-section (flexible)	2.5 mm <sup>2</sup>

Earth bracket clamping forces according to TNO requirements.

Not suitable for contact protection boxes (cavity walls).

Connection terminals according to IEC 60884-1

- with green control LED as function light
- with distance sealing ring

**Suitable for**

Frame with lens

**Optional**

Frame with hinged cover and imprint "IP44"

**Order no.****Page**

from p. 75

from p. 78

## Design

## Order no.

## PU

**for installation wall thickness 1 mm (± 0.1 mm)**

anthracite matt	8 4810 25 15	200
polar white matt	8 4810 25 12	200
red matt	8 4810 25 17	200
green matt	8 4810 25 13	200
orange matt	8 4810 25 14	200

**for installation wall thickness 2 mm (+0.1/-0.3 mm)**

anthracite matt	8 4820 25 15	200
polar white matt	8 4820 25 12	200
red matt	8 4820 25 17	200
green matt	8 4820 25 13	200
orange matt	8 4820 25 14	200

**for installation wall thickness 3 mm (+0.1/-0.3 mm)**

anthracite matt	8 4830 25 15	200
polar white matt	8 4830 25 12	200
red matt	8 4830 25 17	200
green matt	8 4830 25 13	200
orange matt	8 4830 25 14	200





### SCHUKO socket outlet with control LED, SNAP IN

▶ 198

- enhanced contact protection
- insulation-piercing terminals



Rated voltage	250 V~
Rated current	16 A
LED current	1 mA
Conductor cross-section (flexible)	2.5 mm <sup>2</sup>

- with green control LED as function light
- with distance sealing ring

Suitable for Optional	Order no.	Page
Frame with hinged cover and imprint "IP44"		from p. 78

Earth bracket clamping forces according to TNO requirements.

Not suitable for contact protection boxes (cavity walls).

Connection terminals according to IEC 60884-1

Enhanced contact protection according to IEC 60884-1

Design	Order no.	PU
<b>for installation wall thickness 1 mm (± 0.1 mm)</b>		
anthracite matt	8 4811 25 15	200
polar white matt	8 4811 25 12	200
red matt	8 4811 25 17	200
green matt	8 4811 25 13	200
orange matt	8 4811 25 14	200
<b>for installation wall thickness 2 mm (+0.1/-0.3 mm)</b>		
anthracite matt	8 4821 25 15	200
polar white matt	8 4821 25 12	200
red matt	8 4821 25 17	200
green matt	8 4821 25 13	200
orange matt	8 4821 25 14	200
<b>for installation wall thickness 3 mm (+0.1/-0.3 mm)</b>		
anthracite matt	8 4831 25 15	200
polar white matt	8 4831 25 12	200
red matt	8 4831 25 17	200
green matt	8 4831 25 13	200
orange matt	8 4831 25 14	200



### SCHUKO socket outlet 45°, SNAP IN

▶ 198

- insulation-piercing terminals



Rated voltage	250 V~
Rated current	16 A
Conductor cross-section (flexible)	2.5 mm <sup>2</sup>

- with distance sealing ring
- for diagonal installation

Suitable for Optional	Order no.	Page
Frame with hinged cover and imprint "IP44"	8 1828 ..	78

Earth bracket clamping forces according to TNO requirements.

Not suitable for contact protection boxes (cavity walls).

Connection terminals according to IEC 60884-1

Design	Order no.	PU
<b>for installation wall thickness 1 mm (± 0.1 mm)</b>		
anthracite matt	8 4860 25 05	200
grey matt	8 4860 25 06	200
polar white matt	8 4860 25 02	200
black matt	8 4860 25 08	200
red matt	8 4860 25 07	200
green matt	8 4860 25 03	200
orange matt	8 4860 25 04	200



**for installation wall thickness 2 mm (+0.1/-0.3 mm)**

anthracite matt	8 4870 25 05	200
grey matt	8 4870 25 06	200
polar white matt	8 4870 25 02	200
black matt	8 4870 25 08	200
red matt	8 4870 25 07	200
green matt	8 4870 25 03	200
orange matt	8 4870 25 04	200

**for installation wall thickness 3 mm (+0.1/-0.3 mm)**

anthracite matt	8 4880 25 05	200
grey matt	8 4880 25 06	200
polar white matt	8 4880 25 02	200
black matt	8 4880 25 08	200
red matt	8 4880 25 07	200
green matt	8 4880 25 03	200
orange matt	8 4880 25 04	200



**SCHUKO socket outlet 45°, SNAP IN**

- enhanced contact protection
- insulation-piercing terminals



Rated voltage	250 V~
Rated current	16 A
Conductor cross-section (flexible)	2.5 mm <sup>2</sup>

- with distance sealing ring
- for diagonal installation

Suitable for Optional	Order no.	Page
Frame with hinged cover and imprint "IP44"	8 1828 ..	78

Earth bracket clamping forces according to TNO requirements.

Not suitable for contact protection boxes (cavity walls).

Connection terminals according to IEC 60884-1

Enhanced contact protection according to IEC 60884-1

Design	Order no.	PU
--------	-----------	----

**for installation wall thickness 1 mm (± 0.1 mm)**

anthracite matt	8 4861 25 05	200
grey matt	8 4861 25 06	200
polar white matt	8 4861 25 02	200
black matt	8 4861 25 08	200
red matt	8 4861 25 07	200
green matt	8 4861 25 03	200
orange matt	8 4861 25 04	200

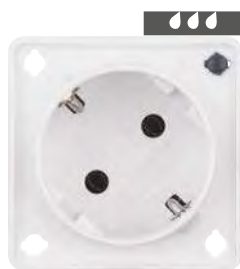
**for installation wall thickness 2 mm (+0.1/-0.3 mm)**

anthracite matt	8 4871 25 05	200
grey matt	8 4871 25 06	200
polar white matt	8 4871 25 02	200
black matt	8 4871 25 08	200
red matt	8 4871 25 07	200
green matt	8 4871 25 03	200
orange matt	8 4871 25 04	200

**for installation wall thickness 3 mm (+0.1/-0.3 mm)**

anthracite matt	8 4881 25 05	200
grey matt	8 4881 25 06	200
polar white matt	8 4881 25 02	200
black matt	8 4881 25 08	200
red matt	8 4881 25 07	200
green matt	8 4881 25 03	200
orange matt	8 4881 25 04	200





**SCHUKO socket outlet 45° with control LED, SNAP IN**

▶ 198

- insulation-piercing terminals



Rated voltage	250 V~
Rated current	16 A
LED current	1 mA
Conductor cross-section (flexible)	2.5 mm <sup>2</sup>

- with green control LED as function light
- with distance sealing ring
- for diagonal installation

<b>Suitable for</b>	<b>Order no.</b>	<b>Page</b>
<b>Optional</b>		
Frame with hinged cover and imprint "IP44"		from p. 78

Earth bracket clamping forces according to TNO requirements.

Not suitable for contact protection boxes (cavity walls).

Connection terminals according to IEC 60884-1

Design	Order no.	PU
<b>for installation wall thickness 1 mm (± 0.1 mm)</b>		
anthracite matt	<b>8 4860 25 15</b>	200
polar white matt	<b>8 4860 25 12</b>	200
red matt	<b>8 4860 25 17</b>	200
green matt	<b>8 4860 25 13</b>	200
orange matt	<b>8 4860 25 14</b>	200
<b>for installation wall thickness 2 mm (+0.1/-0.3 mm)</b>		
anthracite matt	<b>8 4870 25 15</b>	200
polar white matt	<b>8 4870 25 12</b>	200
red matt	<b>8 4870 25 17</b>	200
green matt	<b>8 4870 25 13</b>	200
orange matt	<b>8 4870 25 14</b>	200
<b>for installation wall thickness 3 mm (+0.1/-0.3 mm)</b>		
anthracite matt	<b>8 4880 25 15</b>	200
polar white matt	<b>8 4880 25 12</b>	200
red matt	<b>8 4880 25 17</b>	200
green matt	<b>8 4880 25 13</b>	200
orange matt	<b>8 4880 25 14</b>	200



**SCHUKO socket outlet 45° with control LED, SNAP IN**

▶ 198

- enhanced contact protection
- insulation-piercing terminals



Rated voltage	250 V~
Rated current	16 A
LED current	1 mA
Conductor cross-section (flexible)	2.5 mm <sup>2</sup>

- with green control LED as function light
- with distance sealing ring
- for diagonal installation

<b>Suitable for</b>	<b>Order no.</b>	<b>Page</b>
<b>Optional</b>		
Frame with hinged cover and imprint "IP44"		from p. 78

Earth bracket clamping forces according to TNO requirements.

Not suitable for contact protection boxes (cavity walls).

Connection terminals according to IEC 60884-1

Enhanced contact protection according to IEC 60884-1

Design	Order no.	PU
<b>for installation wall thickness 1 mm (± 0.1 mm)</b>		
anthracite matt	<b>8 4861 25 15</b>	200
polar white matt	<b>8 4861 25 12</b>	200
red matt	<b>8 4861 25 17</b>	200
green matt	<b>8 4861 25 13</b>	200
orange matt	<b>8 4861 25 14</b>	200



**for installation wall thickness 2 mm (+0.1/-0.3 mm)**

anthracite matt	8 4871 25 15	200
polar white matt	8 4871 25 12	200
red matt	8 4871 25 17	200
green matt	8 4871 25 13	200
orange matt	8 4871 25 14	200

**for installation wall thickness 3 mm (+0.1/-0.3 mm)**

anthracite matt	8 4881 25 15	200
polar white matt	8 4881 25 12	200
red matt	8 4881 25 17	200
green matt	8 4881 25 13	200
orange matt	8 4881 25 14	200

**Socket outlets with earthing contact**

**NEMA-socket outlets**



**Socket outlet with earthing contact USA/CANADA  
NEMA 5-15 R**

▶ 196

- screw terminals

- 2pole + earth



Suitable for	Order no.	Page
Contact protection box Ø 45 mm	918 20 ..	63
Contact protection box Ø 49 mm	918 8 ..	63
Contact protection box 2gang	9 191 ..	64
Contact protection box 3gang	919 33	64

Rated voltage 125 V~  
Rated current 15 A

Connecting terminals only suitable for wiring with massive conductors.

Insert, UL-certified: E140596  
Standard NEMA 5-15 R

Design	Order no.	PU
brown matt, insert brown	8 6263 25 01	200
polar white matt, insert white	8 6263 25 02	200
black matt, insert black	8 6263 25 13	200

brown matt, insert brown	9 6263 25 01	10
polar white matt, insert white	9 6263 25 02	10
black matt, insert black	9 6263 25 13	10



**Socket outlet with earthing contact USA/CANADA  
NEMA 6-20 R**

▶ 196

- screw terminals

- 2pole + earth



Suitable for	Order no.	Page
Contact protection box Ø 45 mm	918 20 ..	63
Contact protection box Ø 49 mm	918 8 ..	63
Contact protection box 2gang	9 191 ..	64
Contact protection box 3gang	919 33	64

Rated voltage 250 V~  
Rated current 20 A

Connecting terminals only suitable for wiring with massive conductors.

Insert, UL-certified: E140596  
Standard NEMA 6-20 R

Design	Order no.	PU
brown matt, insert brown	8 6254 25 01	200
anthracite matt, insert brown	8 6254 25 05	200
grey glossy, insert white	8 6254 25 07	200
polar white glossy, insert white	8 6254 25 09	200
black glossy, insert brown	8 6254 25 10	200

brown matt, insert brown	9 6254 25 01	10
grey glossy, insert white	9 6254 25 07	10
polar white glossy, insert white	9 6254 25 09	10
black glossy, insert brown	9 6254 25 10	10



### Australian socket outlets



#### Socket outlet with earthing contact AUSTRALIA 10 A

▶ 196

- screw terminals

- 2pole + earth



Rated voltage

250 V~

Rated current

10 A

**Suitable for**

 Contact protection box Ø 45 mm  
 Contact protection box Ø 49 mm  
 Contact protection box 2gang  
 Contact protection box 3gang

**Order no.**

 918 20 ..  
 918 8 ..  
 9 191 ..  
 919 33

**Page**

 63  
 63  
 64  
 64

Design

Order no.

PU

brown matt, insert black

**9 6258 25 01**

10

anthracite matt, insert black

**9 6258 25 05**

10

grey matt, insert black

**9 6258 25 06**

10

polar white matt, insert white

**9 6258 25 02**

10

black matt, insert black

**9 6258 05**

10



#### Socket outlet with earthing contact AUSTRALIA 15 A

▶ 196

- screw terminals

- 2pole + earth



Rated voltage

250 V~

Rated current

15 A

**Suitable for**

 Contact protection box Ø 45 mm  
 Contact protection box Ø 49 mm  
 Contact protection box 2gang  
 Contact protection box 3gang

**Order no.**

 918 20 ..  
 918 8 ..  
 9 191 ..  
 919 33

**Page**

 63  
 63  
 64  
 64

Design

Order no.

PU

brown matt, insert black

**9 6256 25 01**

10

anthracite matt, insert black

**9 6256 25 05**

10

grey matt, insert black

**9 6256 25 06**

10

polar white matt, insert white

**9 6256 25 02**

10

black matt, insert black

**9 6256 05**

10



### Danish socket outlets



#### Socket outlet with earthing contact DENMARK

▶ 196

- enhanced contact protection

- 2pole + earth

- screw terminals



Rated voltage

250 V~

Rated current

13 A

**Suitable for**

 Contact protection box Ø 45 mm  
 Contact protection box Ø 49 mm  
 Contact protection box 2gang  
 Contact protection box 3gang

**Order no.**

 918 20 ..  
 918 8 ..  
 9 191 ..  
 919 33

**Page**

 63  
 63  
 64  
 64

Standard DS 60884-2-D1:2011

Connection terminals according to IEC 60884-1

Enhanced contact protection according to IEC 60884-1

Design

Order no.

PU

black matt

**8 6272 05**

200

anthracite matt

**9 6272 25 05**

10

grey matt

**9 6272 25 06**

10

polar white matt

**9 6272 25 02**

10

black matt

**9 6272 05**

10





**Italian socket outlets**



**Socket outlet with earthing contact ITALY**

▶ 196

- enhanced contact protection
- screw terminals



Rated voltage 250 V~  
Rated current 16 A

- 2pole + earth

**Suitable for**  
Contact protection box Ø 49 mm  
Contact protection box 2gang  
Contact protection box 3gang

Order no.	Page
918 8 ..	63
9 1915 0 ..	64
919 33	64

Not suitable for fixing clamping ring!  
Enhanced contact protection according to IEC 60884-1

Design	Order no.	PU
anthracite matt, insert black	<b>9 6251 25 05</b>	10
polar white matt, insert white	<b>9 6251 25 02</b>	10
black matt, insert black	<b>9 6251 25 03</b>	10



**Swiss socket outlets**



**Socket outlet with earthing contact SWITZERLAND type 13**

▶ 196

- screw terminals



Rated voltage 250 V~  
Rated current 10 A

- 2pole + earth

**Suitable for**  
Contact protection box Ø 49 mm  
Contact protection box 2gang  
Contact protection box 3gang

Order no.	Page
918 8 ..	63
9 1915 0 ..	64
919 33	64

Not suitable for fixing clamping ring!  
Connection terminals according to IEC 60884-1

Design	Order no.	PU
brown matt	<b>8 6249 25 01</b>	200
anthracite matt	<b>8 6249 25 05</b>	200
polar white matt	<b>8 6249 25 02</b>	200
black matt	<b>8 6249 05</b>	200
brown matt	<b>9 6249 25 01</b>	10
anthracite matt	<b>9 6249 25 05</b>	10
grey matt	<b>9 6249 25 06</b>	10
polar white matt	<b>9 6249 25 02</b>	10
black matt	<b>9 6249 05</b>	10



**Socket outlet with earthing contact SWITZERLAND type 23**

▶ 196

- screw terminals



Rated voltage 250 V~  
Rated current 16 A

- 2pole + earth

**Suitable for**  
Contact protection box Ø 49 mm  
Contact protection box 2gang  
Contact protection box 3gang

Order no.	Page
918 8 ..	63
9 1915 0 ..	64
919 33	64

Not suitable for fixing clamping ring!  
Connection terminals according to IEC 60884-1

Design	Order no.	PU
brown matt	<b>9 6259 25 01</b>	10
anthracite matt	<b>9 6259 25 05</b>	10
grey matt	<b>9 6259 25 06</b>	10
polar white matt	<b>9 6259 25 02</b>	10
black matt	<b>9 6259 25 03</b>	10



### British Standard socket outlets



#### Socket outlet with earthing contact BRITISH STANDARD

▶ 196

- enhanced contact protection
- screw terminals



Rated voltage 250 V~  
Rated current 13 A

- 2pole + earth

#### Suitable for

Contact protection box Ø 45 mm  
Contact protection box Ø 49 mm  
Contact protection box 2gang  
Contact protection box 3gang

#### Order no.

918 20 ..  
918 8 ..  
9 191 ..  
919 33

#### Page

63  
63  
64  
64

Standard BS 1363

Design	Order no.	PU
anthracite matt	<b>8 6262 25 05</b>	200
grey matt	<b>8 6262 25 06</b>	200
polar white matt	<b>8 6262 25 02</b>	200
black matt	<b>8 6262 05</b>	200
brown matt	<b>9 6262 25 01</b>	10
anthracite matt	<b>9 6262 25 05</b>	10
grey matt	<b>9 6262 25 06</b>	10
polar white matt	<b>9 6262 25 02</b>	10
black matt	<b>9 6262 05</b>	10



### Socket outlets with earthing pin

- for 4-hole screw fitting

#### Socket outlets with earthing pin and screw terminals

Marked items are only suitable for splash-protected IP44 installation when used in conjunction with sealing (order no. 918 53), frame with hinged cover and imprint "IP44" and contact protection box.



#### Socket outlet with earthing pin

▶ 196

- screw terminals



Rated voltage 250 V~  
Rated current 16 A

- 2pole + earth

#### Suitable for

Contact protection box Ø 45 mm  
Contact protection box Ø 49 mm  
Contact protection box 2gang  
Contact protection box 3gang

#### Order no.

918 20 ..  
918 8 ..  
9 191 ..  
919 33

#### Page

63  
63  
64  
64

Connection terminals according to IEC 60884-1

#### Optional

Sealing for IP 44 applications 918 53 78  
Frame with hinged cover and imprint "IP44" 8 1828 .. 78

Design	Order no.	PU
brown matt	<b>8 6185 25 01</b>	200
anthracite matt	<b>8 6185 25 05</b>	200
polar white matt	<b>8 6185 25 02</b>	200
black matt	<b>8 6185 05</b>	200
brown matt	<b>9 6185 25 01</b>	10
anthracite matt	<b>9 6185 25 05</b>	10
grey matt	<b>9 6185 25 06</b>	10
polar white matt	<b>9 6185 25 02</b>	10
black matt	<b>9 6185 05</b>	10





**Socket outlet with earthing pin**

- enhanced contact protection
- screw terminals



Rated voltage 250 V~  
Rated current 16 A

Connection terminals according to IEC 60884-1  
Enhanced contact protection according to IEC 60884-1

- 2pole + earth

Suitable for	Order no.	Page
Contact protection box Ø 45 mm	918 20 ..	63
Contact protection box Ø 49 mm	918 8 ..	63
Contact protection box 2gang	9 191 ..	64
Contact protection box 3gang	919 33	64
<b>Optional</b>		
Sealing for IP 44 applications	918 53	78
Frame with hinged cover and imprint "IP44"	8 1828 ..	78

Design	Order no.	PU
anthracite matt	<b>8 6195 25 05</b>	200
grey matt	<b>8 6195 25 06</b>	200
polar white matt	<b>8 6195 25 02</b>	200
black matt	<b>8 6195 05</b>	200
brown matt	<b>9 6195 25 01</b>	10
anthracite matt	<b>9 6195 25 05</b>	10
grey matt	<b>9 6195 25 06</b>	10
polar white matt	<b>9 6195 25 02</b>	10
black matt	<b>9 6195 05</b>	10



**Socket outlets with earthing pin and insulation-piercing terminals**

- new insulation displacement contact technology: quick and easy connection with the joining tool, order no. 8 1726 25 81
- VDE approval
- up to 2 flexible conductors with a cross section of 2.5 mm<sup>2</sup> can be connected for each insulation displacement contact; wires do not have to be stripped in advance.
- enables multiple socket outlets to be looped through without breaking the conductors.
- IPT contacts made from copper alloy, tin-plated
- thermoplastic centre plates and bases
- base with snap-on safety cap

Marked items are only suitable for splash-protected IP44 installation when used in conjunction with sealing (order no. 9 1853 01) and frame with hinged cover and imprint "IP44".



**Socket outlet with earthing pin**

- enhanced contact protection
- insulation-piercing terminals



Rated voltage 250 V~  
Rated current 16 A  
Conductor cross-section (flexible) 2.5 mm<sup>2</sup>

Earth bracket clamping forces according to TNO requirements.

Not suitable for contact protection boxes (cavity walls).

Connection terminals according to IEC 60884-1

Enhanced contact protection according to IEC 60884-1

- 2pole + earth

Suitable for	Order no.	Page
<b>Optional</b>		
Sealing IP44 for socket outlets with insulation displacement contacts	9 1853 01	79
Frame with hinged cover and imprint "IP44"	8 1828 ..	78

Design	Order no.	PU
anthracite matt	<b>8 6301 25 05</b>	200
polar white matt	<b>8 6301 25 02</b>	200
red matt	<b>8 6301 25 07</b>	200
green matt	<b>8 6301 25 03</b>	200
orange matt	<b>8 6301 25 04</b>	200





### Socket outlet with earthing pin and control LED

▶ 198



- enhanced contact protection
- insulation-piercing terminals



Rated voltage	250 V~
Rated current	16 A
LED current	1 mA
Conductor cross-section (flexible)	2.5 mm <sup>2</sup>

- with green control LED as function light
- 2pole + earth

#### Suitable for Optional

Frame with hinged cover and imprint "IP44"  
Sealing IP44 for socket outlets with insulation displacement contacts

**Order no.**
**Page**

 from p. 78  
79

Earth bracket clamping forces according to TNO requirements.

Not suitable for contact protection boxes (cavity walls).

Connection terminals according to IEC 60884-1

Enhanced contact protection according to IEC 60884-1

Design	Order no.	PU
anthracite matt	<b>8 6301 25 15</b>	200
grey matt	<b>8 6301 25 16</b>	200
polar white matt	<b>8 6301 25 12</b>	200
black matt	<b>8 6301 25 18</b>	200
red matt	<b>8 6301 25 17</b>	200
green matt	<b>8 6301 25 13</b>	200
orange matt	<b>8 6301 25 14</b>	200



### Socket outlet with earthing pin 45°

▶ 198



- enhanced contact protection
- insulation-piercing terminals



Rated voltage	250 V~
Rated current	16 A
Conductor cross-section (flexible)	2.5 mm <sup>2</sup>

- for diagonal installation
- 2pole + earth

#### Suitable for Optional

Sealing IP44 for socket outlets with insulation displacement contacts  
Frame with hinged cover and imprint "IP44"

**Order no.**
**Page**

9 1853 01

79

8 1828 ..

78

Earth bracket clamping forces according to TNO requirements.

Not suitable for contact protection boxes (cavity walls).

Connection terminals according to IEC 60884-1

Enhanced contact protection according to IEC 60884-1

Design	Order no.	PU
anthracite matt	<b>8 6351 25 05</b>	200
polar white matt	<b>8 6351 25 02</b>	200
red matt	<b>8 6351 25 07</b>	200
green matt	<b>8 6351 25 03</b>	200
orange matt	<b>8 6351 25 04</b>	200





### Socket outlet with earthing pin 45° and control LED

▶ 198



- enhanced contact protection
- insulation-piercing terminals



Rated voltage	250 V~
Rated current	16 A
LED current	1 mA
Conductor cross-section (flexible)	2.5 mm <sup>2</sup>

- with green control LED as function light
- for diagonal installation
- 2pole + earth

Suitable for	Order no.	Page
<b>Optional</b>		
Frame with hinged cover and imprint "IP44"		from p. 78
Sealing IP44 for socket outlets with insulation displacement contacts	9 1853 01	79

Earth bracket clamping forces according to TNO requirements.

Not suitable for contact protection boxes (cavity walls).

Connection terminals according to IEC 60884-1

Enhanced contact protection according to IEC 60884-1

Design	Order no.	PU
anthracite matt	<b>8 6351 25 15</b>	200
grey matt	<b>8 6351 25 16</b>	200
polar white matt	<b>8 6351 25 12</b>	200
black matt	<b>8 6351 25 18</b>	200
red matt	<b>8 6351 25 17</b>	200
green matt	<b>8 6351 25 13</b>	200
orange matt	<b>8 6351 25 14</b>	200



## Socket outlets without earthing contact

- for 4-hole screw fitting

### Dutch socket outlets

#### Socket outlet without earth contact NETHERLANDS

▶ 196



- enhanced contact protection
- screw terminals



Rated voltage	250 V~
Rated current	16 A
Mirror depth	14.5 mm

- 2pole

Suitable for	Order no.	Page
Contact protection box Ø 45 mm	091 82 ..	63
Contact protection box Ø 49 mm	091 88 ..	63
Contact protection box 2gang	0 9191 ..	64
Contact protection box 3gang	919 33	64

Connection terminals according to IEC 60884-1

Enhanced contact protection according to IEC 60884-1

Design	Order no.	PU
anthracite matt	<b>9 6194 25 05</b>	10
grey matt	<b>9 6194 25 06</b>	10
polar white matt	<b>9 6194 25 02</b>	10
black matt	<b>9 6194 05</b>	10



### Euro-American Standard socket outlets



#### Socket outlet without earth contact EURO-AMERICAN STANDARD

▶ 196

- enhanced contact protection
- screw terminals



Rated voltage 250 V~  
Rated current 10 A

- 2pole

**Suitable for**

Contact protection box Ø 45 mm  
Contact protection box Ø 49 mm  
Contact protection box 2gang  
Contact protection box 3gang

**Order no.**

918 20 ..  
918 8 ..  
9 191 ..  
919 33

**Page**

63  
63  
64  
64

Not suitable for SCHUKO plug according to DIN 49441.

Standard GB 1002

Connection terminals according to IEC 60884-1

Enhanced contact protection according to IEC 60884-1

Design	Order no.	PU
anthracite matt	<b>8 6257 25 05</b>	200
polar white matt	<b>8 6257 25 02</b>	200
brown matt	<b>9 6257 25 01</b>	10
anthracite matt	<b>9 6257 25 05</b>	10
grey matt	<b>9 6257 25 06</b>	10
polar white matt	<b>9 6257 25 02</b>	10
black matt	<b>9 6257 25 03</b>	10



### Connecting devices 12 V



#### Socket outlet 12 V

Operating voltage

12 ... 24 V

- with fast-on terminal connection

Rated current

max. 16 A

Flat connector size  
(plug width x plug thickness)

6.3 x 0.8 mm

**Suitable for**

Contact protection box Ø 45 mm  
Contact protection box Ø 49 mm  
Contact protection box 2gang  
Contact protection box 3gang  
Plug 12 V

**Order no.**

918 20 ..  
918 8 ..  
9 191 ..  
919 33  
4637

**Page**

63  
63  
64  
64  
66

Note:

When using 12 V connector (order no. 4637), observe max. rated current of 8 A.

DIN EN ISO 4165

Design	Order no.	PU
brown matt	<b>8 4517 25 01</b>	200
anthracite matt	<b>8 4517 25 05</b>	200
grey glossy	<b>8 4517 25 07</b>	200
polar white glossy	<b>8 4517 25 09</b>	200
black matt	<b>8 4517 05</b>	200
brown matt	<b>9 4517 25 01</b>	10
anthracite matt	<b>9 4517 25 05</b>	10
grey glossy	<b>9 4517 25 07</b>	10
polar white glossy	<b>9 4517 25 09</b>	10
black matt	<b>9 4517 05</b>	10





**Power socket outlet 12 V**

Operating voltage	12 ... 24 V	– with fast-on terminal connection
Rated current for 1.5 mm <sup>2</sup>	max. 15 A	
Rated current for 2.5 mm <sup>2</sup>	max. 20 A	
Flat connector size (plug width x plug thickness)	6.3 x 0.8 mm	
Installation depth (without cable lug)	46 mm	

Not suitable for installation in surface-mounted housing.  
Not suitable for contact protection boxes (cavity walls).  
Compliant with SAE J563 (Feb. 2009), VW Standard TL82285 (Apr. 2007)

Design	Order no.	PU
brown matt	<b>8 4571 25 01</b>	200
anthracite matt	<b>8 4571 25 05</b>	200
grey glossy	<b>8 4571 25 07</b>	200
polar white glossy	<b>8 4571 25 09</b>	200
black matt	<b>8 4571 25 03</b>	200
brown matt	<b>9 4571 25 01</b>	10
anthracite matt	<b>9 4571 25 05</b>	10
grey glossy	<b>9 4571 25 07</b>	10
polar white glossy	<b>9 4571 25 09</b>	10



**Power socket outlet 12 V, with imprint 20 A for motor vehicles**

Operating voltage	12 ... 24 V	– with fast-on terminal connection
Rated current for 1.5 mm <sup>2</sup>	max. 15 A	
Rated current for 2.5 mm <sup>2</sup>	max. 20 A	
Flat connector size (plug width x plug thickness)	6.3 x 0.8 mm	
Installation depth (without cable lug)	46 mm	

Not suitable for contact protection boxes (cavity walls).

The power supply must be ordered separately.



Design	Order no.	PU
anthracite matt	<b>9 4570 25 05</b>	10



**Power socket outlet 12 V, with imprint 10 A for motor vehicles**

Operating voltage	12 ... 24 V	– with fast-on terminal connection
Rated current	max. 10 A	
Flat connector size (plug width x plug thickness)	6.3 x 0.8 mm	
Installation depth (without cable lug)	46 mm	

Not suitable for contact protection boxes (cavity walls).

The power supply must be ordered separately.



Design	Order no.	PU
anthracite matt	<b>9 4570 25 15</b>	10



### Socket outlet 12 V + SAT

Operating voltage	12 V=	- with double F-socket
Rated current	max. 10 A	- with fast-on terminal connection
Installation depth (without cable lug)	28 mm	

Not suitable for frames with hinged covers.  
For reception of satellite TV signals and simultaneous power supply of appropriate TV devices.

Design	Order no.	PU
brown matt	<b>8 4572 25 01</b>	200
anthracite matt	<b>8 4572 25 05</b>	200
polar white matt	<b>8 4572 25 02</b>	200
black matt	<b>8 4572 25 03</b>	200
<hr/>		
brown matt	<b>9 4572 25 01</b>	10
anthracite matt	<b>9 4572 25 05</b>	10
polar white matt	<b>9 4572 25 02</b>	10
black matt	<b>9 4572 25 03</b>	10



### Socket outlet 12 V + TV

Operating voltage	12 V=	- with IEC jack (male), connection in F system on the rear
Rated current	max. 10 A	- with fast-on terminal connection
Installation depth (without cable lug)	28 mm	

For reception of terrestrial or wire-connected TV signals with simultaneous power supply of appropriate devices.  
Not suitable for frames with hinged covers.

Design	Order no.	PU
anthracite matt	<b>9 4573 25 05</b>	10
polar white matt	× <b>9 4573 25 02</b>	10



### Socket outlet 12 V + Radio

Operating voltage	12 V=	- with IEC jack (female), connection in F system on the rear
Rated current	max. 10 A	- with fast-on terminal connection
Installation depth (without cable lug)	28 mm	

For reception of terrestrial or wire-connected radio signals with simultaneous power supply of appropriate devices.

In some countries, this insert can also be used for TV reception.

Not suitable for frames with hinged covers.

Design	Order no.	PU
anthracite matt	<b>9 4574 25 05</b>	10
polar white matt	× <b>9 4574 25 02</b>	10





**USB charging sockets**

- for charging mobile end devices via USB cable
- short-circuit and overload proof (electronic fuse)

**USB charging socket 2gang 230 V, A+A**

- screw terminals

- with 2 USB sockets type A



Input voltage	230 V~ (-15%/+10%)
Frequency	50/60 Hz
Output voltage	5 V= (± 5 %)
Output current per socket	max. 3 A
Output current when operating both sockets (total)	max. 3 A
Power consumption (standby)	< 150 mW
Conductor cross-section (rigid)	max. 2.5 mm <sup>2</sup>
Installation depth	31 mm

Suitable for	Order no.	Page
Contact protection box Ø 49 mm	918 8 ..	63
Contact protection box 2gang	9 1915 0 ..	64
Contact protection box 3gang	919 33	64

No data transmission possible!  
DIN EN 62680-3



Design	Order no.	PU
anthracite matt	<b>9 2610 25 05</b>	1
polar white matt	<b>9 2610 25 09</b>	1

New

**USB charging socket 2gang 230 V, A+C**

- screw terminals

- with 1 USB socket type A and 1 USB socket type C



Input voltage	230 V~ (-15%/+10%)
Frequency	50/60 Hz
Output voltage	5 V= (± 5 %)
Output current per socket	max. 3 A
Output current when operating both sockets (total)	max. 3 A
Power consumption (standby)	< 150 mW
Conductor cross-section (rigid)	max. 2.5 mm <sup>2</sup>
Installation depth	31 mm

Suitable for	Order no.	Page
Contact protection box Ø 49 mm	918 8 ..	63
Contact protection box 2gang	9 1915 0 ..	64
Contact protection box 3gang	919 33	64

No data transmission possible!  
DIN EN 62680-3



Design	Order no.	PU
anthracite matt	<b>★ 9 2620 25 05</b>	1
polar white matt	<b>★ 9 2620 25 09</b>	1



### 12 V USB charging socket outlet

Input voltage	8 ... 34 V=	– with USB socket type A		
Output voltage	5 V= (± 5 %)	– pre-assembled with connecting cables (red, black), length approx. 15 cm		
Output current	max. 3 A			
Power consumption (standby)	< 100 mW			
Installation depth	32 mm			
No data transmission possible!				

Suitable for	Order no.	Page
Contact protection box Ø 49 mm	918 8 ..	63
Contact protection box 2gang	9 1915 0 ..	64
Contact protection box 3gang	919 33	64

Design	Order no.	PU
brown matt, insert black	<b>8 2603 25 01</b>	200
anthracite matt, insert black	<b>8 2603 25 05</b>	200
grey glossy, insert black	<b>8 2603 25 07</b>	200
polar white glossy, insert black	<b>8 2603 25 09</b>	200
black matt, insert black	<b>8 2603 25 03</b>	200
brown matt, insert black	<b>9 2603 25 01</b>	10
anthracite matt, insert black	<b>9 2603 25 05</b>	10
grey glossy, insert black	<b>9 2603 25 07</b>	10
polar white glossy, insert black	<b>9 2603 25 09</b>	10
black matt, insert black	<b>9 2603 25 03</b>	10



### 12 V USB charging socket outlet 2gang

Input voltage	8 ... 34 V=	– with 2 USB sockets type		
Output voltage	5 V= (± 5 %)	– pre-assembled with connecting cables (red, black), length approx. 15 cm		
Output current	max. per socket 2.5 A			
Output current when operating both sockets (total)	max. 5 A			
Power consumption (standby)	< 100 mW			
Installation depth	32 mm			
No data transmission possible!				

Suitable for	Order no.	Page
Contact protection box Ø 49 mm	918 8 ..	63
Contact protection box 2gang	9 1915 0 ..	64
Contact protection box 3gang	919 33	64

Design	Order no.	PU
brown matt, insert black	<b>8 2602 25 01</b>	200
anthracite matt, insert black	<b>8 2602 25 05</b>	200
grey glossy, insert black	<b>8 2602 25 07</b>	200
polar white glossy, insert black	<b>8 2602 25 09</b>	200
black matt, insert black	<b>8 2602 25 03</b>	200
brown matt, insert black	<b>9 2602 25 01</b>	10
anthracite matt, insert black	<b>9 2602 25 05</b>	10
grey glossy, insert black	<b>9 2602 25 07</b>	10
polar white glossy, insert black	<b>9 2602 25 09</b>	10
black matt, insert black	<b>9 2602 25 03</b>	10



## TV/multimedia

### Aerial sockets



### Aerial connector box TV

DIN 45325	– with IEC jack (male)			
	– for soldered connection			

Suitable for	Order no.	Page
Frame with hinged cover	9 1828 ..	76

Design	Order no.	PU
brown matt	<b>9 4511 25 11</b>	10
anthracite matt	<b>9 4511 25 15</b>	10
polar white matt	<b>9 4511 25 12</b>	10
black matt	<b>9 4511 15</b>	10





**Aerial connector box TV**

Not suitable for frames with hinged covers.  
DIN 45325

- with IEC jack (male)
- connection in F system on the rear

Design	Order no.	PU
brown matt	<b>9 4581 25 01</b>	10
anthracite matt	<b>9 4581 25 05</b>	10
grey matt	<b>9 4581 25 06</b>	10
polar white matt	<b>9 4581 25 02</b>	10
black matt	<b>9 4581 25 03</b>	10



**Aerial connector box radio**

Not suitable for frames with hinged covers.

- with IEC jack (female)
- connection in F system on the rear

Design	Order no.	PU
anthracite matt	<b>9 4562 25 05</b>	10



**Aerial connector box SAT**

Not suitable for frames with hinged covers.

- with double F-socket

Design	Order no.	PU
anthracite matt	<b>8 4519 25 05</b>	200
polar white matt	<b>8 4519 25 02</b>	200
brown matt	<b>9 4519 25 01</b>	10
anthracite matt	<b>9 4519 25 05</b>	10
grey matt	<b>9 4519 25 06</b>	10
polar white matt	<b>9 4519 25 02</b>	10
black matt	<b>9 4519 05</b>	10



**Aerial connector box radio/SAT**

Not suitable for frames with hinged covers.

- with IEC and F socket
- connection in F system on the rear

Design	Order no.	PU
brown matt	<b>9 4560 25 01</b>	10
anthracite matt	<b>9 4560 25 05</b>	10
grey matt	<b>9 4560 25 06</b>	10
polar white matt	<b>9 4560 25 02</b>	10
black matt	<b>9 4560 05</b>	10



**Aerial connector box radio/TV**

Not suitable for frames with hinged covers.

- with IEC jacks (male/female)
- connection in F system on the rear

Design	Order no.	PU
polar white matt	<b>9 4561 25 02</b>	10





### Aerial connector box TV/SAT

Not suitable for frames with hinged covers.

- with IEC and F socket
- connection in F system on the rear



Design	Order no.	PU
grey matt	<b>8 4563 25 06</b>	200
black matt	<b>8 4563 25 03</b>	200

### Multimedia outlets



### USB/3.5 mm audio socket outlet

Frequency range audio 20 ... 20000 Hz - double jack gold-plated 3.5 mm, stereo  
 USB transmission rate max. 480 Mbit/s - reverse-compatible to USB 2.0

For connecting mobile devices, such as mobile phones or MP3 players (mini audio), digital cameras and computer peripherals (USB 2.0).

Observe the instructions of the cable and device manufacturers for maximum USB cable lengths!



Design	Order no.	PU
brown matt	<b>8 4583 25 01</b>	200
anthracite matt	<b>8 4583 25 05</b>	200
grey matt	<b>8 4583 25 06</b>	200
polar white matt	<b>8 4583 25 02</b>	200
black matt	<b>8 4583 25 03</b>	200
brown matt	<b>9 4583 25 01</b>	10
anthracite matt	<b>9 4583 25 05</b>	10
grey matt	<b>9 4583 25 06</b>	10
polar white matt	<b>9 4583 25 02</b>	10
black matt	<b>9 4583 25 03</b>	10



### High definition socket outlet

Resolution max. 1920 x 1080 px - with HDMI™ double jack type A, supports HDMI™ technology (V 1.3 with Deep Color)  
 Transmission rate max. 8.16 GBit/s  
 Video bandwidth max. 165 MHz - 19pole  
 Frequency range (vertical) 50 ... 85 Hz - gold-plated contacts

For the connection of digital devices for transmission of high-resolution audio and video signals, such as satellite receivers and DVD players, to LCD or LED screens.

Comply with the instructions of the cable and device manufacturers as to the maximum HDMI cable length.



Design	Order no.	PU
brown matt	<b>8 4582 25 01</b>	200
anthracite matt	<b>8 4582 25 05</b>	200
grey matt	<b>8 4582 25 06</b>	200
polar white matt	<b>8 4582 25 02</b>	200
black matt	<b>8 4582 25 03</b>	200
brown matt	<b>9 4582 25 01</b>	10
anthracite matt	<b>9 4582 25 05</b>	10
grey matt	<b>9 4582 25 06</b>	10
polar white matt	<b>9 4582 25 02</b>	10
black matt	<b>9 4582 25 03</b>	10


**Cinch socket outlet 3-gang**

Not suitable for frames with hinged covers.

- 1 cinch double jack for video connection (yellow)
- 2 cinch double jacks for audio connection (red, white)

Design	Order no.	PU
brown matt	<b>8 4580 25 01</b>	200
anthracite matt	<b>8 4580 25 05</b>	200
grey matt	<b>8 4580 25 07</b>	200
polar white matt	<b>8 4580 25 09</b>	200
black matt	<b>8 4580 25 03</b>	200


**Audio/video modules**

**Cinch module set audio**

 Conductor Ø 0.5 ... 0.65 mm (AWG 24-22)  
 Dimensions, per module (W x H x D) 15 x 18 x 35 mm

- with 2 Cinch sockets and module carriers
- with tool free cutting terminals

Suitable for	Order no.	Page
Double supporting plate for MINI-COM modules	9 4559 ..	52

▶ 197



Design	Order no.	PU
polar white/red	<b>1989</b>	1


**Cinch module video**

 Conductor Ø 0.5 ... 0.65 mm (AWG 24-22)  
 Dimensions (W x H x D) 15 x 18 x 35 mm

- with cinch socket and module carrier
- with tool free cutting terminals

Suitable for	Order no.	Page
Double supporting plate for MINI-COM modules	9 4559 ..	52

▶ 197



Design	Order no.	PU
polar white/yellow	<b>1992</b>	1


**VGA module**

 Conductor cross-section 1.5 mm<sup>2</sup>  
 Dimensions (W x H x D) 31 x 18 x 35 mm

- with a 15pole D-subminiature socket
- occupies 2 MINI-COM module spaces in the cover
- SVGA compatible
- with screw-in lift terminals

Suitable for	Order no.	Page
Double supporting plate for MINI-COM modules	9 4559 ..	52

▶ 197



Design	Order no.	PU
polar white/black	<b>1994</b>	1


**S-Video module**

 Conductor Ø 0.5 ... 0.65 mm (AWG 24-22)  
 Dimensions (W x H x D) 15 x 18 x 35 mm

- with S-Video and module carrier
- with tool free cutting terminals

Suitable for	Order no.	Page
Double supporting plate for MINI-COM modules	9 4559 ..	52

▶ 199



Design	Order no.	PU
polar white/black	<b>1993</b>	1



### Blank module

Dimensions (W x H x D)

15 x 18 x 35 mm

**Suitable for**

Double supporting plate for MINI-COM modules

**Order no.**

9 4559 ..

**Page**

52

**Design**

polar white

**Order no.**
**1990**
**PU**

1

## Data communication

### Supporting plates for modular jacks



### Double supporting plate for MINI-COM modules

Not suitable for frames with hinged covers.

- for Mini-Com 3.5 mm stereo connection/coupling modules
- for Mini-Com BNC connector modules
- for Mini-Com Cinch connection/coupling modules
- for Mini-Com D-Subminiature connectors 15pole
- for Mini-Com F-plug coupling modules
- for Mini-Com speaker wire/banana plug modules
- for Mini-Com S-Video connection/coupling modules
- for Mini-Com jacks cat.3, cat.5e, cat.6, cat.6 10Gig
- for Mini-Com fibre-optic modules
- for Mini-Com dummy modules 1gang
- with 30° oblique outlet

**Suitable for**

 Audio/video modules  
Modular Jacks

**Order no.**
**Page**

 from p. 51  
from p. 53

**Manufacturer product line**
**Art. no.**
**Mini-Com modules**

Panduit

**Design**

anthracite glossy

grey glossy

polar white glossy

black glossy

**Order no.**
**9 4559 25 05**
**9 4559 25 07**
**9 4559 25 09**
**9 4559 05**
**PU**

10

10

10

10



### Supporting plate 1gang for AMP modular jacks

Indexing dimension (W x H)

≈ 14.9 x 20.7 mm

Not suitable for frames with hinged covers.

- for AMP modular jacks series 110 Connect, cat.3, cat.5, cat.5e and cat.6

**Manufacturer product line**
**Art. no.**
**EMT modular jack**

AMP

**Standard 110 Connect jack**

AMP

**MT-RJ jack**

AMP

Intracom

Telena

**Modular jacks**

Brand-Rex

CobiNet

EFB Electronic

Schumann

**SL series toolless jack**

AMP

**Design**

anthracite glossy

grey glossy

polar white glossy

black glossy

**Order no.**
**9 4557 25 05**
**9 4557 25 07**
**9 4557 25 09**
**9 4557 05**
**PU**

10

10

10

10



**Supporting plate 2gang for BTR-/E-DAT modules**

Not suitable for frames with hinged covers.

- for 130898-00-I BTR blank module
- for 130898-01-I BTR coax module F/F
- for 130898-02-I BTR coax module F/IEC socket
- for 130898-03-I BTR coax module F/IEC connector
- for 130908-I BTR FCC module Cat.5e 8(8)
- for 130909-I BTR FCC module Cat.6 8(8)
- for 130910-I BTR E-Dat module Cat.6a 8(8)
- for 1309A0-I BTR E-Dat module coupling 8(8) Cat.6
- for 15091001-I BTR Op-Dat module ST
- for 15091070-I BTR Op-Dat module LC
- for 15091071-I BTR Op-Dat module LC
- for 185700 Dätwyler Unilan socket module MS 1/8 Cat.6
- for 185750 Dätwyler Unilan socket module MU 1/8 Cat.6
- for 417446 Dätwyler Unilan RJ45 feed-through coupling
- with 25° oblique outlet

**Manufacturer product line** Art. no.  
**Modules**  
BTR NETCOM

Design	Order no.	PU
anthracite glossy	<b>8 4558 25 05</b>	100
grey glossy	<b>8 4558 25 07</b>	100
polar white glossy	<b>8 4558 25 09</b>	100
black glossy	<b>8 4558 25 10</b>	100

**Modular Jacks**



**Mini jack, 8-pole**

Colour code A and B according to TIA/EIA-568-B.2

- with cutting terminals

**Suitable for** Order no. Page  
Double supporting plate for MINI-COM modules 9 4559 .. 52

Design	Order no.	PU
black, RJ45, cat.3, ISDN-compatible (AWG 24-22)	<b>1980</b>	1
aluminium, RJ45, cat.5e, shielded (AWG 24-22)	<b>1984</b>	1
aluminium, RJ45, cat.6, shielded (AWG 26)	<b>1985</b>	1



### Rocker switch

Marked items are only suitable for splash-protected IP44 installation when used in conjunction with sealing (order no. 918 53), frame with hinged cover and imprint "IP44" and contact protection box.



#### On/off switch

Rated voltage 250 V~ – with screw terminals  
 Switching current 10 AX  
 Power, LED max. 100 W

Suitable for	Order no.	Page
Contact protection box Ø 45 mm, flat	9 1820 0 ..	63
Contact protection box Ø 45 mm	918 20 ..	63
Contact protection box Ø 49 mm	918 8 ..	63
Contact protection box 2gang	9 191 ..	64
Contact protection box 3gang	919 33	64
<b>Optional</b>		
Sealing for IP 44 applications	918 53	78
Frame with imprint "IP44"	9 1827 ..	77

Design

Order no.

PU

#### **Berker integro - design flow | pure**

brown matt	<b>8 3651 25 01</b>	200
anthracite matt	<b>8 3651 25 05</b>	200
grey glossy	<b>8 3651 25 07</b>	200
polar white glossy	<b>8 3651 25 09</b>	200

brown matt	<b>9 3651 25 01</b>	10
anthracite matt	<b>9 3651 25 05</b>	10
grey glossy	<b>9 3651 25 07</b>	10
polar white glossy	<b>9 3651 25 09</b>	10
black glossy	<b>9 3651 25 10</b>	10
granite black, silk matt, lacquered	<b>9 3651 25 45</b>	10
chrome glossy, galvanised	<b>9 3651 25 18</b>	10
chrome matt, galvanised	<b>9 3651 25 28</b>	10
chrome matt, lacquered	<b>9 3651 25 68</b>	10
stainless steel matt, lacquered	<b>9 3651 25 24</b>	10

#### **Berker integro - design classic**

polar white glossy	<b>8 3651 09</b>	200
black matt	<b>8 3651 05</b>	200

grey glossy	<b>9 3651 07</b>	10
polar white glossy	<b>9 3651 09</b>	10
black matt	<b>9 3651 05</b>	10
granite black, silk matt, lacquered	<b>9 3651 45</b>	10
chrome glossy, galvanised	<b>9 3651 18</b>	10
chrome matt, galvanised	<b>9 3651 28</b>	10
gold glossy, galvanised	<b>9 3651 38</b>	10







### Change-over switch

▶ 197

Rated voltage 250 V~ – with screw terminals  
Switching current 10 AX  
Power, LED max. 100 W

Suitable for	Order no.	Page
Contact protection box Ø 45 mm, flat	9 1820 0 ..	63
Contact protection box Ø 45 mm	918 20 ..	63
Contact protection box Ø 49 mm	918 8 ..	63
Contact protection box 2gang	9 191 ..	64
Contact protection box 3gang	919 33	64
<b>Optional</b>		
Sealing for IP 44 applications	918 53	78
Frame with imprint "IP44"	9 1827 ..	77
Design	Order no.	PU

#### Berker integro - design flow | pure

anthracite matt	8 3656 25 05	200
grey glossy	8 3656 25 07	200
polar white glossy	8 3656 25 09	200
brown matt	9 3656 25 01	10
anthracite matt	9 3656 25 05	10
grey glossy	9 3656 25 07	10
polar white glossy	9 3656 25 09	10
black glossy	9 3656 25 10	10
granite black, silk matt, lacquered	9 3656 25 45	10
chrome glossy, galvanised	9 3656 25 18	10
chrome matt, galvanised	9 3656 25 28	10
chrome matt, lacquered	9 3656 25 68	10
stainless steel matt, lacquered	9 3656 25 24	10
gold glossy, galvanised	9 3656 25 38	10

#### Berker integro - design classic

polar white glossy	8 3656 09	200
grey glossy	9 3656 07	10
polar white glossy	9 3656 09	10
black matt	9 3656 05	10
granite black, silk matt, lacquered	9 3656 45	10
chrome glossy, galvanised	9 3656 18	10
chrome matt, galvanised	9 3656 28	10



### Intermediate switch

▶ 197

Rated voltage 250 V~ – with screw terminals  
Switching current 10 AX  
Power, LED max. 100 W

**Currently not available!**

Suitable for	Order no.	Page
Contact protection box Ø 45 mm, flat	9 1820 0 ..	63
Contact protection box Ø 45 mm	918 20 ..	63
Contact protection box Ø 49 mm	918 8 ..	63
Contact protection box 2gang	9 191 ..	64
Contact protection box 3gang	919 33	64
<b>Optional</b>		
Sealing for IP 44 applications	918 53	78
Frame with imprint "IP44"	9 1827 ..	77
Design	Order no.	PU

#### Berker integro - design flow | pure

brown matt	9 3657 25 01	10
anthracite matt	9 3657 25 05	10
grey glossy	9 3657 25 07	10
polar white glossy	9 3657 25 09	10
black glossy	9 3657 25 10	10
chrome matt, galvanised	9 3657 25 28	10
chrome matt, lacquered	9 3657 25 68	10
stainless steel matt, lacquered	9 3657 25 24	10

#### Berker integro - design classic

polar white glossy	9 3657 09	10
--------------------	-----------	----





### On/off switch 2pole with imprint "0"

▶ 197

Rated voltage  
Switching current  
Power, LED

250 V~  
10 AX  
max. 100 W

– with screw terminals

**Suitable for**

Contact protection box Ø 45 mm, flat  
Contact protection box Ø 45 mm  
Contact protection box Ø 49 mm  
Contact protection box 2gang  
Contact protection box 3gang

**Order no.**  
9 1820 0 ..  
918 20 ..  
918 8 ..  
9 191 ..  
919 33

**Page**  
63  
63  
63  
64  
64

**Optional**

Sealing for IP 44 applications  
Frame with imprint "IP44"

918 53  
9 1827 ..

78  
77

Design

Order no.

PU

**Berker integro - design flow | pure**

polar white glossy **8 3652 25 09** 200

brown matt **9 3652 25 01** 10

anthracite matt **9 3652 25 05** 10

grey glossy **9 3652 25 07** 10

polar white glossy **9 3652 25 09** 10

black glossy **9 3652 25 10** 10

granite black, silk matt, lacquered **9 3652 25 45** 10

chrome glossy, galvanised **9 3652 25 18** 10

chrome matt, galvanised **9 3652 25 28** 10

chrome matt, lacquered **9 3652 25 68** 10

stainless steel matt, lacquered **9 3652 25 24** 10

**Berker integro - design classic**

grey glossy **9 3652 07** 10

polar white glossy **9 3652 09** 10

black matt **9 3652 05** 10

granite black, silk matt, lacquered **9 3652 45** 10

chrome matt, galvanised **9 3652 28** 10



### Control on/off switch 2pole with imprint "0"

▶ 197

- red lens



– for illumination and monitoring circuit  
– with integrated neon lamp  
– with screw terminals

Rated voltage  
Switching current  
Neon lamp current  
Power, LED

250 V~  
10 AX  
0.9 mA  
max. 100 W

**Suitable for**

Contact protection box Ø 45 mm, flat  
Contact protection box Ø 45 mm  
Contact protection box Ø 49 mm  
Contact protection box 2gang  
Contact protection box 3gang

**Order no.**  
9 1820 0 ..  
918 20 ..  
918 8 ..  
9 191 ..  
919 33

**Page**  
63  
63  
63  
64  
64

**Optional**

Sealing for IP 44 applications  
Frame with imprint "IP44"

918 53  
9 1827 ..

78  
77

Design

Order no.

PU

**Berker integro - design flow | pure**

anthracite matt **8 3752 25 05** 200

chrome glossy, galvanised **8 3752 25 18** 50

brown matt **9 3752 25 01** 10

anthracite matt **9 3752 25 05** 10

grey glossy **9 3752 25 07** 10

polar white glossy **9 3752 25 09** 10

black glossy **9 3752 25 10** 10

chrome matt, lacquered **9 3752 25 68** 10

stainless steel matt, lacquered **9 3752 25 24** 10

**Berker integro - design classic**

black matt **8 3752 05** 200

black matt **9 3752 05** 10

grey glossy **9 3752 07** 10

polar white glossy **9 3752 09** 10

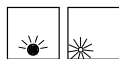




**Control on/off switch 2pole with imprint "0", 12 V**

▶ 197

- red lens
- control LED



Rated voltage 12 V=  
Switching current 5 A  
LED current 10 mA

- for illumination and monitoring circuit
- with integral indicator LED
- with screw terminals

Suitable for	Order no.	Page
Contact protection box Ø 45 mm, flat	9 1820 0 ..	63
Contact protection box Ø 45 mm	918 20 ..	63
Contact protection box Ø 49 mm	918 8 ..	63
Contact protection box 2gang	9 191 ..	64
Contact protection box 3gang	919 33	64
<b>Optional</b>		
Sealing for IP 44 applications	918 53	78
Frame with imprint "IP44"	9 1827 ..	77

Design Order no. PU

**Berker integro - design flow | pure**

brown matt	<b>9 3762 25 31</b>	10
anthracite matt	<b>9 3762 25 35</b>	10
polar white glossy	<b>9 3762 25 39</b>	10
black glossy	<b>9 3762 25 10</b>	10
chrome glossy, galvanised	<b>9 3762 25 18</b>	10
chrome matt, lacquered	<b>9 3762 25 68</b>	10
stainless steel matt, lacquered	<b>9 3762 25 24</b>	10



**Multiple rocker switches**



**Series switch, common input terminal**

▶ 197

Rated voltage 250 V~  
Switching current 10 AX  
Power, LED max. 100 W

Suitable for	Order no.	Page
Contact protection box Ø 45 mm, flat	9 1820 0 ..	63
Contact protection box Ø 45 mm	918 20 ..	63
Contact protection box Ø 49 mm	918 8 ..	63
Contact protection box 2gang	9 191 ..	64
Contact protection box 3gang	919 33	64

Design Order no. PU

**Berker integro - design flow | pure**

brown matt	<b>8 3655 25 01</b>	200
anthracite matt	<b>8 3655 25 05</b>	200
grey glossy	<b>8 3655 25 07</b>	200
polar white glossy	<b>8 3655 25 09</b>	200

brown matt	<b>9 3655 25 01</b>	10
anthracite matt	<b>9 3655 25 05</b>	10
grey glossy	<b>9 3655 25 07</b>	10
polar white glossy	<b>9 3655 25 09</b>	10
black glossy	<b>9 3655 25 10</b>	10
granite black, silk matt, lacquered	<b>9 3655 25 45</b>	10
chrome glossy, galvanised	<b>9 3655 25 18</b>	10
chrome matt, galvanised	<b>9 3655 25 28</b>	10
chrome matt, lacquered	<b>9 3655 25 68</b>	10
stainless steel matt, lacquered	<b>9 3655 25 24</b>	10
gold glossy, galvanised	<b>9 3655 25 38</b>	10



**Berker integro - design classic**

grey glossy	<b>9 3655 07</b>	10
polar white glossy	<b>9 3655 09</b>	10
black matt	<b>9 3655 05</b>	10
chrome glossy, galvanised	<b>9 3655 18</b>	10
chrome matt, galvanised	<b>9 3655 28</b>	10
gold glossy, galvanised	<b>9 3655 38</b>	10



### Double on/off switch 12 V, isolated input terminals

▶ 197

Rated voltage 12 V= – with screw terminals  
 Switching current 5 A

Suitable for	Order no.	Page
Contact protection box Ø 45 mm, flat	9 1820 0 ..	63
Contact protection box Ø 45 mm	918 20 ..	63
Contact protection box Ø 49 mm	918 8 ..	63
Contact protection box 2gang	9 191 ..	64
Contact protection box 3gang	919 33	64

Design

Order no.

PU

#### Berker integro - design flow | pure

brown matt	8 3664 25 01	50
anthracite matt	8 3664 25 05	50
black glossy	8 3664 25 10	50
granite black, silk matt, lacquered	8 3664 25 45	50
chrome glossy, galvanised	8 3664 25 18	50
chrome matt, galvanised	8 3664 25 28	50
chrome matt, lacquered	8 3664 25 68	50



## Rocker push-button

Marked items are only suitable for splash-protected IP44 installation when used in conjunction with sealing (order no. 918 53), frame with hinged cover and imprint "IP44" and contact protection box.



### Push-button, NO contact

▶ 197

Rated voltage 250 V~ – with screw terminals  
 Momentary-contact current 10 A  
 Power, LED max. 100 W

Suitable for	Order no.	Page
Contact protection box Ø 45 mm, flat	9 1820 0 ..	63
Contact protection box Ø 45 mm	918 20 ..	63
Contact protection box Ø 49 mm	918 8 ..	63
Contact protection box 2gang	9 191 ..	64
Contact protection box 3gang	919 33	64
<b>Optional</b>		
Sealing for IP 44 applications	918 53	78
Frame with imprint "IP44"	9 1827 ..	77

Design

Order no.

PU

#### Berker integro - design flow | pure

anthracite matt	8 3671 25 05	200
grey glossy	8 3671 25 07	200
brown matt	9 3671 25 01	10
anthracite matt	9 3671 25 05	10
grey glossy	9 3671 25 07	10
polar white glossy	9 3671 25 09	10
black glossy	9 3671 25 10	10
granite black, silk matt, lacquered	9 3671 25 45	10
chrome glossy, galvanised	9 3671 25 18	10
chrome matt, galvanised	9 3671 25 28	10
chrome matt, lacquered	9 3671 25 68	10
stainless steel matt, lacquered	9 3671 25 24	10



#### Berker integro - design classic

polar white glossy	8 3671 09	200
grey glossy	9 3671 07	10
polar white glossy	9 3671 09	10
black matt	9 3671 05	10
chrome glossy, galvanised	9 3671 18	10
chrome matt, galvanised	9 3671 28	10

**Push-button, NO contact, illuminated**

▶ 197



- red lens



Rated voltage	250 V~
Neon lamp current	0.9 mA
Momentary-contact current	10 A
Power, LED	max. 100 W

- for illumination and monitoring circuit
- with integrated neon lamp
- with screw terminals

When several neon lamp units are used, the lamp current may result in malfunctioning of the relay/pulse relay.  
Remedy: Carry along a neutral conductor or connect a capacitor 230 V (1 µF per 10 mA neon lamp current) in parallel with the coil.

Suitable for	Order no.	Page
Contact protection box Ø 45 mm, flat	9 1820 0 ..	63
Contact protection box Ø 45 mm	918 20 ..	63
Contact protection box Ø 49 mm	918 8 ..	63
Contact protection box 2gang	9 191 ..	64
Contact protection box 3gang	919 33	64
<b>Optional</b>		
Sealing for IP 44 applications	918 53	78
Frame with imprint "IP44"	9 1827 ..	77

Design	Order no.	PU
<b>Berker integro - design flow   pure</b>		
brown matt	<b>9 3772 25 01</b>	10
anthracite matt	<b>9 3772 25 05</b>	10
grey glossy	<b>9 3772 25 07</b>	10
polar white glossy	<b>9 3772 25 09</b>	10



**Multiple rocker push-buttons**



**Series push-button, 2 NO contacts, common input terminal**

▶ 197

Rated voltage	250 V~	- with screw terminals
Momentary-contact current	10 A	
Power, LED	max. 100 W	

Suitable for	Order no.	Page
Contact protection box Ø 45 mm	918 20 ..	63
Contact protection box Ø 45 mm, flat	9 1820 0 ..	63
Contact protection box Ø 49 mm	918 8 ..	63
Contact protection box 2gang	9 191 ..	64
Contact protection box 3gang	919 33	64

Design	Order no.	PU
<b>Berker integro - design flow   pure</b>		
brown matt	<b>9 3675 25 01</b>	10
anthracite matt	<b>9 3675 25 05</b>	10
grey glossy	<b>9 3675 25 07</b>	10
polar white glossy	<b>9 3675 25 09</b>	10
black glossy	<b>9 3675 25 10</b>	10
granite black, silk matt, lacquered	<b>9 3675 25 45</b>	10
chrome glossy, galvanised	<b>9 3675 25 18</b>	10
chrome matt, galvanised	<b>9 3675 25 08</b>	10
chrome matt, lacquered	<b>9 3675 25 68</b>	10
stainless steel matt, lacquered	<b>9 3675 25 24</b>	10



**Berker integro - design classic**

grey glossy	<b>9 3675 07</b>	10
polar white glossy	<b>9 3675 09</b>	10
black matt	<b>9 3675 05</b>	10



**Series push-button, isolated input terminals**

▶ 197

Rated voltage	12 V=	- with screw terminals
Momentary-contact current	5 A	

Suitable for	Order no.	Page
Contact protection box Ø 45 mm, flat	9 1820 ..	63
Contact protection box Ø 49 mm	918 8 ..	63
Contact protection box 2gang	9 191 ..	64
Contact protection box 3gang	919 33	64

Design	Order no.	PU
<b>Berker integro - design flow   pure</b>		
chrome glossy, galvanised	<b>9 3665 25 18</b>	10



### Blind push-button



#### Blind series push-button with imprinted symbol arrow

Rated voltage 250 V~ – with electrical interlocking to prevent mutual activation  
 Momentary-contact current 10 A – with screw terminals

Follow the motor manufacturers' instructions.

Suitable for	Order no.	Page
Contact protection box Ø 45 mm, flat	9 1820 0 ..	63
Contact protection box Ø 45 mm	918 20 ..	63
Contact protection box Ø 49 mm	918 8 ..	63
Contact protection box 2gang	9 191 ..	64
Contact protection box 3gang	919 33	64

Design Order no. PU

#### Berker integro - design flow | pure

brown matt	9 3653 25 01	10
anthracite matt	9 3653 25 05	10
grey glossy	9 3653 25 07	10
polar white glossy	9 3653 25 09	10
black glossy	9 3653 25 10	10
granite black, silk matt, lacquered	9 3653 25 45	10
chrome glossy, galvanised	9 3653 25 18	10
chrome matt, galvanised	9 3653 25 08	10
chrome matt, lacquered	9 3653 25 68	10
stainless steel matt, lacquered	9 3653 25 24	10

#### Berker integro - design classic

grey glossy	9 3653 07	10
polar white glossy	9 3653 09	10
black matt	9 3653 05	10



### Reverse polarity push-button



#### Reverse polarity push-button, 6 contacts, with imprint for steps

Operating voltage 12 ... 24 V= – double change-over contact, usable as NC or NO with separate input terminals  
 Flat connector size (plug width x plug thickness) 4.8 x 0.8 mm – 6 contacts at the backside  
 Momentary-contact current at 24 V= 7.5 A – with fast-on terminal connection  
 Momentary-contact current at 12 V= 15 A

Suitable for	Order no.	Page
Contact protection box Ø 45 mm	918 20 ..	63
Contact protection box Ø 49 mm	918 8 ..	63
Contact protection box 2gang	9 191 ..	64
Contact protection box 3gang	919 33	64

Design Order no. PU  
 chrome glossy, galvanised 9 3697 25 18 10



#### Reverse polarity push-button, 4 contacts, with imprint for steps

Operating voltage 12 ... 24 V= – e.g. for caravan step  
 Momentary-contact current at 12 V= 15 A – 4 contacts at the backside  
 Momentary-contact current at 24 V= 7.5 A – with fast-on terminal connection

Suitable for	Order no.	Page
Contact protection box Ø 45 mm	918 20 ..	63
Contact protection box Ø 49 mm	918 8 ..	63
Contact protection box 2gang	9 191 ..	64
Contact protection box 3gang	919 33	64

Design Order no. PU  
 anthracite matt 8 3699 25 05 200

brown matt	9 3699 25 01	10
anthracite matt	9 3699 25 05	10
grey glossy	9 3699 25 07	10
polar white glossy	9 3699 25 09	10
black glossy	9 3699 25 10	10
chrome matt, lacquered	9 3699 25 68	10
chrome matt, galvanised	9 3699 25 28	10



# Berker integro - Module inserts

## Reverse polarity push-button



### Reverse polarity push-button, 5 contacts, with imprint for steps

Operating voltage	12 ... 24 V=	– e.g. for caravan step
Momentary-contact current at 12 V=	15 A	– 5 contacts at the backside
Momentary-contact current at 24 V=	7.5 A	– with fast-on terminal connection
Flat connector size (plug width x plug thickness)	4.8 x 0.8 mm	

Suitable for	Order no.	Page
Contact protection box Ø 45 mm	9 1820 ..	63
Contact protection box Ø 49 mm	918 8 ..	63
Contact protection box 2gang	9 191 ..	64
Contact protection box 3gang	919 33	64

Design	Order no.	PU
stainless steel matt, lacquered	<b>8 3695 25 24</b>	200
brown matt	<b>9 3695 25 01</b>	10
anthracite matt	<b>9 3695 25 05</b>	10
grey glossy	<b>9 3695 25 07</b>	10
polar white glossy	<b>9 3695 25 09</b>	10
black glossy	<b>9 3695 25 10</b>	10
chrome glossy, galvanised	<b>9 3695 25 18</b>	10
chrome matt, galvanised	<b>9 3695 25 28</b>	10
chrome matt, lacquered	<b>9 3695 25 68</b>	10



### Reverse polarity push-button, 6 contacts, with imprint for steps

Operating voltage	12 ... 24 V=	– e.g. for caravan step
Momentary-contact current at 12 V=	15 A	– double change-over contact, usable as NC or NO with separate input terminals
Momentary-contact current at 24 V=	7.5 A	– 6 contacts at the backside
Flat connector size (plug width x plug thickness)	4.8 x 0.8 mm	– with fast-on terminal connection

Suitable for	Order no.	Page
Contact protection box Ø 45 mm	918 20 ..	63
Contact protection box Ø 49 mm	918 8 ..	63
Contact protection box 2gang	9 191 ..	64
Contact protection box 3gang	919 33	64

Design	Order no.	PU
anthracite matt	<b>9 3697 25 05</b>	10
black glossy	<b>9 3697 25 10</b>	10
chrome glossy, galvanised	<b>9 3697 25 38</b>	10



### Reverse polarity push-button, 4 contacts, with imprint for beds

Operating voltage	12 ... 24 V=	– for e.g. height-adjustable beds
Momentary-contact current at 12 V=	15 A	– 4 contacts at the backside
Momentary-contact current at 24 V=	7.5 A	– with fast-on terminal connection
Flat connector size (plug width x plug thickness)	4.8 x 0.8 mm	

Suitable for	Order no.	Page
Contact protection box Ø 45 mm	918 20 ..	63
Contact protection box Ø 49 mm	918 8 ..	63
Contact protection box 2gang	9 191 ..	64
Contact protection box 3gang	919 33	64

Design	Order no.	PU
anthracite matt	<b>9 3699 25 75</b>	10
chrome matt, galvanised	<b>9 3699 25 78</b>	10



### Reverse polarity push-button, 4 contacts, with imprint for awnings

Operating voltage	12 ... 24 V=	– e.g. for caravan awning
Momentary-contact current at 12 V=	15 A	– 4 contacts at the backside
Momentary-contact current at 24 V=	7.5 A	– with fast-on terminal connection
Flat connector size (plug width x plug thickness)	4.8 x 0.8 mm	

Suitable for	Order no.	Page
Contact protection box Ø 45 mm	918 20 ..	63
Contact protection box Ø 49 mm	918 8 ..	63
Contact protection box 2gang	9 191 ..	64
Contact protection box 3gang	919 33	64

Design	Order no.	PU
anthracite matt	<b>9 3696 25 05</b>	10
chrome glossy, galvanised	<b>9 3696 25 18</b>	10
chrome matt, galvanised	<b>9 3696 25 28</b>	10
chrome matt, lacquered	<b>9 3696 25 68</b>	10

# Berker integro - Module inserts

## Appliance switch / 1 - 10 V control units



### Reverse polarity push-button, 6 contacts, with imprinted arrows symbol

Operating voltage	24 V=	- double change-over contact, usable as NC or NO with separate input terminals
Momentary-contact current at 12 V=	15 A	- 6 contacts at the backside
Momentary-contact current at 24 V=	7.5 A	
Flat connector size (plug width x plug thickness)	4.8 x 0.8 mm	
Design	Order no.	PU
chrome glossy, galvanised	<b>8 3697 25 78</b>	<b>50</b>

## Appliance switch



### On/off switch, 2-pole USA/CANADA with printing "0" and "I"



Rated voltage	250 V~	- with fast-on terminal connection
Switching current	16 A	
Flat connector size (plug width x plug thickness)	6.3 x 0.8 mm	
Switch UL listed.		
Design	Order no.	PU
polar white matt	<b>9 4509 25 02</b>	<b>10</b>
anthracite matt	<b>9 4509 25 05</b>	<b>10</b>
black matt	<b>9 4509 05</b>	<b>10</b>



## 1 - 10 V control units



### 1 - 10 V rotary potentiometer with frame

- setting knob	- basic brightness programmable	
- soft locking	- e.g. for fluorescent lamps and LV halogen lamps	
	- for switching and controlling electronic ballasts and 1 - 10 V Tronic transformers, 105 W	
	- with on/off pressure switch	
Operating voltage	230 V~	- short-circuit and overload proof (fine-wire fuse)
Frequency	50/60 Hz	- with spare fuse
Switching current	6 A	- with screw terminals
Control current	50 mA	
Installation depth	22 mm	
Axis dimension Ø	4 mm	

To ensure same illumination, use only electronic ballasts and fluorescent lamps from the same manufacturers.

Possible to change fuse without removing cover.

Do not mount with Berker integro contact protection boxes, flush-mounted housings or fixing clamping ring.

Interface according to DIN EN 61347-2-3

Design	Order no.	PU
<b>Berker integro - design flow</b>		
brown matt	<b>9 2891 25 01</b>	<b>10</b>
anthracite matt	<b>9 2891 25 05</b>	<b>10</b>
grey glossy	<b>9 2891 25 06</b>	<b>10</b>
polar white glossy	<b>9 2891 25 09</b>	<b>10</b>





## Accessories

### Contact protection boxes

– flame resistant according to VDE 0606-1



#### Contact protection box Ø 45 mm, flat

Cable Ø max. 10 mm – only for switches and push-buttons  
Installation depth 22 mm – with 1 cable entry  
Strain relief not suitable for flat cables.

▶ 199



Design	Order no.	PU
grey, without strain relief	<b>9 1820 03</b>	200
grey, with strain relief	<b>9 1820 01</b>	200



#### Contact protection box Ø 45 mm

Cable Ø max. 10 mm – for switches and socket outlets  
Installation depth 35.5 mm – with 4 cable entries  
– 3 knock out openings  
Strain relief not suitable for flat cables.

▶ 199



Design	Order no.	PU
grey, without strain relief	<b>9 1820 02</b>	200
grey, with strain relief	<b>918 20</b>	200
grey, with strain relief for fire protection applications	<b>9 1820 20</b>	200



#### Contact protection box Ø 49 mm

Cable Ø max. 10 mm – with 2 cable entries  
Installation depth 38 mm  
Strain relief not suitable for flat cables.

▶ 199



Design	Order no.	PU
grey, without strain relief	<b>9 1887 01</b>	200
grey, with 1 internal double strain relief on side	<b>918 87</b>	200



#### Contact protection box Ø 49 mm, deep

Cable Ø max. 12 mm – with 2 cable entries on backside  
Installation depth 45.5 mm – 1 knock out opening  
Strain relief not suitable for flat cables.

▶ 199



Design	Order no.	PU
grey, with 1 external double strain relief	<b>918 83</b>	200
grey, with 1 external double strain relief for fire protection applications	<b>9 1883 20</b>	200



### Contact protection box 2gang

199

length	109 mm	– with 2 cable entries
Width	49 mm	– for vertical and horizontal mounting
Cable Ø	max. 12 mm	– 1 knock out opening
Installation depth	37 mm	

Strain reliefs not suitable for flat cables.

The power supply must be ordered separately.



Design	Order no.	PU
grey, with strain relief	<b>8 1915 01</b>	100
grey, with 2 strain reliefs	<b>8 1915 02</b>	100
grey, with strain relief	<b>9 1915 01</b>	10
grey, with 2 strain reliefs	<b>9 1915 02</b>	10



### Contact protection box 2gang vertical, deep

199

length	109 mm	– with 4 cable entries on backside
Width	48 mm	– for vertical mounting
Cable Ø	max. 12 mm	– 3 knock out openings
Installation depth	45.5 mm	

Strain relief not suitable for flat cables.

Only suitable for 2gang frames!



Design	Order no.	PU
grey, without strain relief	<b>9 1911 02</b>	100
grey, with 1 external double strain relief	<b>919 11</b>	100
grey, with 2 external double strain reliefs	<b>9 1911 01</b>	100



### Contact protection box 2gang horizontal, deep

199

length	48 mm	– with 4 cable entries on backside
Width	109 mm	– for horizontal mounting
Cable Ø	max. 12 mm	– 2 knock out openings
Installation depth	45.5 mm	

Strain relief not suitable for flat cables.

Only suitable for 2gang frames!



Design	Order no.	PU
grey, with 1 external double strain relief	<b>919 12</b>	100
grey, with 2 external double strain reliefs	<b>9 1912 01</b>	100



### Contact protection box 3gang

199

length	168 mm	– with 6 cable entries, 1 per side, top, bottom and 2 on backside
Width	49 mm	– for vertical and horizontal mounting
Cable Ø	max. 10 mm	– 5 knock out openings
Installation depth	38 mm	

Strain relief not suitable for flat cables.

All devices can optionally be arranged vertically or horizontally.

Only suitable for 3gang frames (except order no. 9 1819 25 18, 9 1978 25 18 and 9 1978 25 28).

Restricted installation options apply if the cable clamp is mounted on the front face.



Design	Order no.	PU
grey, with 1 strain relief	<b>919 33</b>	10



**Contact protection box Ø 58 mm for terminal attachment**

▶ 199

Cable Ø max. 10 mm  
Installation depth 35 mm

Strain relief not suitable for flat cables.



Design	Order no.	PU
grey, without strain relief	<b>8 1837 01</b>	200
grey, with 1 internal strain relief	<b>818 37</b>	200

**Supplementary products**



**Fixing clamping ring**

▶ 199

Hole Ø 50 mm

For Berker integro inserts, e. g. for installation in a mirror.

**Suitable for**  
Contact protection box Ø 58 mm for terminal attachment

**Order no.** 818 37 .. **Page** 65

Design	Order no.	PU
grey, material thickness 5 mm	<b>818 36</b>	200
grey, material thickness 4 mm	<b>8 1836 01</b>	200
grey, material thickness 6 mm	<b>8 1836 02</b>	200



**Blank plate**

– with supporting plate

Design	Order no.	PU
brown matt	<b>8 4516 25 01</b>	200
anthracite matt	<b>8 4516 25 05</b>	200
grey glossy	<b>8 4516 25 07</b>	200
polar white glossy	<b>8 4516 25 09</b>	200
black matt	<b>8 4516 05</b>	200
chrome matt, lacquered	<b>8 4516 25 68</b>	200
brown matt	<b>9 4516 25 01</b>	10
anthracite matt	<b>9 4516 25 05</b>	10
grey glossy	<b>9 4516 25 07</b>	10
polar white glossy	<b>9 4516 25 09</b>	10
black glossy	<b>9 4516 25 10</b>	10
black matt	<b>9 4516 05</b>	10
granite black, silk matt, lacquered	<b>9 4516 25 45</b>	10
stainless steel matt, lacquered	<b>9 4516 25 24</b>	10



**Mounting template 3gang, cardboard**

For precise hole drilling for 1gang appliances and for 2gang and 3gang combinations.

Design	Order no.	PU
grey, cardboard	<b>918 44</b>	10



**Mounting template 2gang, solid aluminium**

For precise hole drilling for 1gang appliances and for 2gang combinations.

Design	Order no.	PU
Aluminium anodised	<b>9 1845 02</b>	1



### Mounting template 3gang, solid aluminium

For precise hole drilling for 1 gang appliances and for 2gang and 3gang combinations.

Design	Order no.	PU
Aluminium anodised	<b>9 1845 03</b>	1



### Built-in socket for floating output

Conductor cross-section (rigid) max. 6 mm<sup>2</sup> – for centre plate with cut-out dia. 18.8 mm  
– with a green yellow signal ring

For separate earthing of medical-technical equipment and lab equipment.

Connection pins according to DIN 42801



Design	Order no.	PU
Built-in socket for floating output	<b>4604</b>	1



### Plug 12 V

Operating voltage 12 ... 24 V – with solder connection

Rated current	max. 8 A	Suitable for	Order no.	Page
		Socket outlet 12 V	8 4517 ..	44
		Socket outlet 12 V	9 4517 ..	44



Design	Order no.	PU
black matt	<b>4637</b>	1



### Wire and duct entry

Also suitable for surface-mounted frames and housings from the flush-mounted ranges. – for wire or 15 x 15 mm cable duct

Suitable for	Order no.	Page
Surface-mounted housing high	9 1151 ..	91



Design	Order no.	PU
white	<b>1813</b>	10
polar white	<b>1813 09</b>	10
black	<b>1813 05</b>	10

## Products for Truma devices



### Frame 1gang for Truma devices

To be used only for Truma devices!

Design	Order no.	PU
anthracite matt	<b>8 1971 25 05</b>	200
chrome glossy, galvanised	<b>8 1971 25 17</b>	200
brown matt	<b>9 1971 25 01</b>	10
anthracite matt	<b>9 1971 25 05</b>	10
grey glossy	<b>9 1971 25 07</b>	10
polar white glossy	<b>9 1971 25 09</b>	10
black glossy	<b>9 1971 25 10</b>	10
chrome matt, lacquered	<b>9 1971 25 68</b>	10
chrome glossy, galvanised	<b>9 1971 25 17</b>	10
stainless steel matt, lacquered	<b>9 1971 25 24</b>	10



**Frame 2gang for Truma devices**

To be used only for Truma devices!

Design	Order no.	PU
brown matt	<b>8 1972 25 01</b>	100
anthracite matt	<b>8 1972 25 05</b>	100
brown matt	<b>9 1972 25 01</b>	2
anthracite matt	<b>9 1972 25 05</b>	2
chrome matt, lacquered	<b>9 1972 25 68</b>	2



**Frame 3gang for Truma devices**

To be used only for Truma devices!

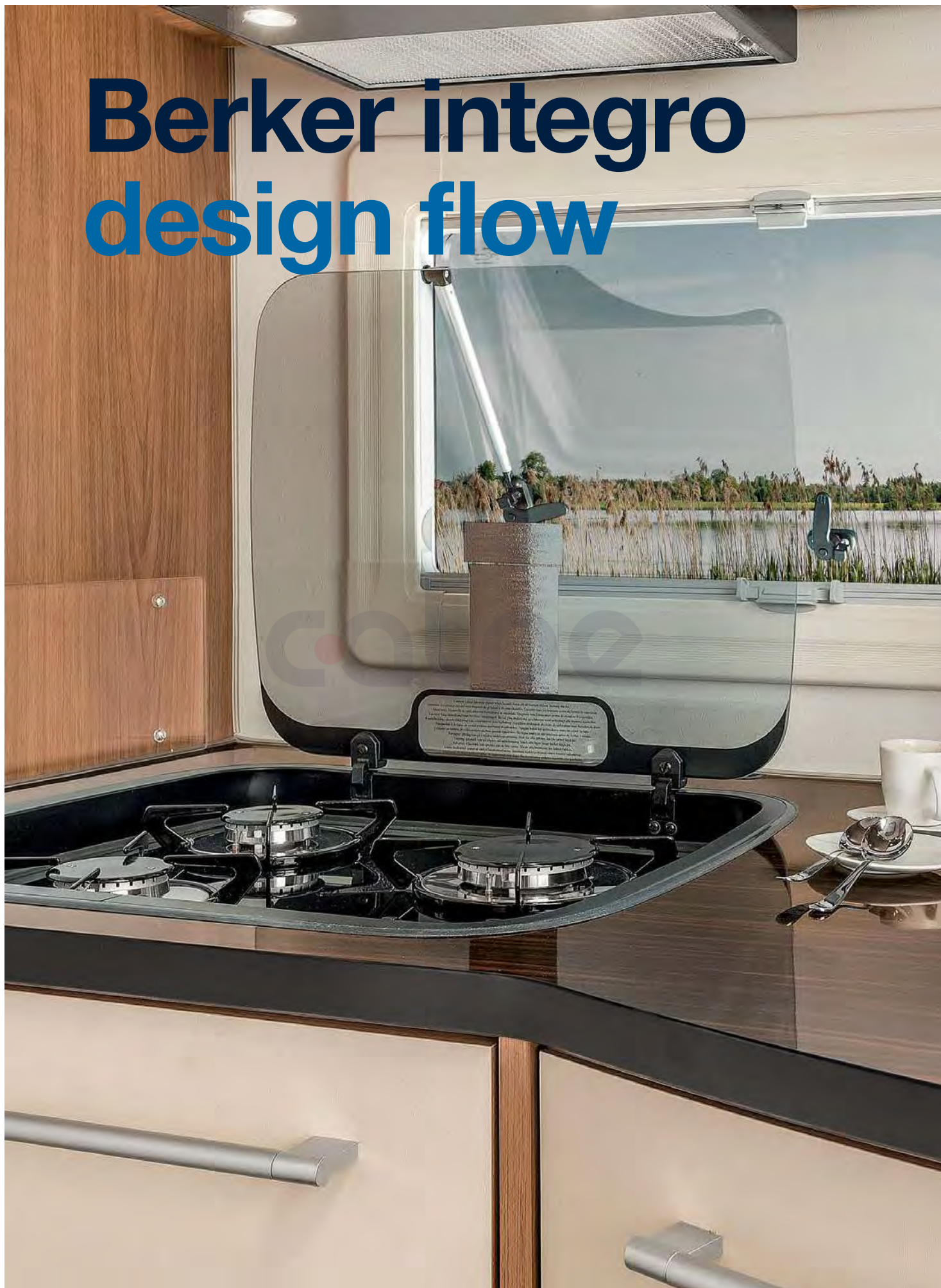
Design	Order no.	PU
brown matt	<b>8 1973 25 01</b>	200
anthracite matt	<b>8 1973 25 05</b>	200
brown matt	<b>9 1973 25 01</b>	2
anthracite matt	<b>9 1973 25 05</b>	2
chrome matt, lacquered	<b>9 1973 25 68</b>	2



**Blank plate for Truma frame**

Design	Order no.	PU
brown matt	<b>8 1974 25 01</b>	200
anthracite matt	<b>8 1974 25 05</b>	200
grey matt	<b>8 1974 25 06</b>	200
black matt	<b>8 1974 25 03</b>	200
chrome matt, lacquered	<b>8 1974 25 68</b>	200
brown matt	<b>9 1974 25 01</b>	10
anthracite matt	<b>9 1974 25 05</b>	10
chrome matt, lacquered	<b>9 1974 25 68</b>	10

# Berker integro design flow





Berker integro  
Design flow

# Berker integro design flow

A contemporary solution for every installation environment – straight-line contours and angular corners, coupled with arched surface geometry. In this manner design flow from Berker integro ensures a harmonious transition to the operating section for any installation surface. The ideal product for virtually any interior style.





## 02

### Page

Frames	74
Surface-mounted housing	80

calpe



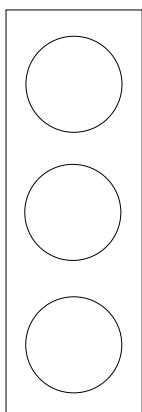
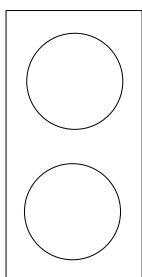
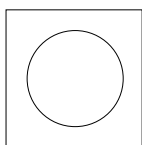
Marked items are suitable for splash-protected IP44 installation when used in conjunction with the corresponding sealing set.



# Product examples

## Berker integro

### design flow



### Dimensions

**Frame 1-3gang (W x H)**  
 1-gang: 59.5 x 59.5 mm  
 2-gang: 59.5 x 119 mm  
 3-gang: 59.5 x 178.5 mm





Berker integro  
Design flow

## Frames/Covers/ Central inserts



### Plastic, glossy

Grey	similar to RAL 7038
Polar white	similar to RAL 9010
Black	similar to RAL 9005
Red	similar to RAL 3003
Green	similar to RAL 6032
Orange	similar to RAL 2008

### Plastic, lacquered

Chrome matt	similar to RAL 9006
Stainless steel	similar to RAL 9022

### Plastic, matt

Brown	similar to RAL 8017
Anthracite	similar to RAL 7021

### plastic, galvanised

chrome glossy	similar to RAL 9023
Chrome matt	similar to RAL 9006
gold glossy	



### Frames



#### Frame 1gang

▶ 200

Design	Order no.	PU
brown matt	<b>8 1827 25 01</b>	200
anthracite matt	<b>8 1827 25 05</b>	200
grey glossy	<b>8 1827 25 07</b>	200
polar white glossy	<b>8 1827 25 09</b>	200
brown matt	<b>9 1827 25 01</b>	10
anthracite matt	<b>9 1827 25 05</b>	10
grey glossy	<b>9 1827 25 07</b>	10
polar white glossy	<b>9 1827 25 09</b>	10
black glossy	<b>9 1827 25 10</b>	10
chrome glossy, galvanised	<b>9 1827 25 18</b>	10
chrome matt, galvanised	<b>9 1827 25 28</b>	10
chrome matt, lacquered	<b>9 1827 25 58</b>	10
stainless steel matt, lacquered	<b>9 1827 25 24</b>	10
gold glossy, galvanised	<b>9 1827 25 38</b>	10
red glossy	<b>9 1827 25 76</b>	10
green glossy	<b>9 1827 25 70</b>	10
orange glossy	<b>9 1827 25 74</b>	10



#### Frame 2gang

▶ 200

– for vertical and horizontal mounting

Design	Order no.	PU
brown matt	<b>8 1826 25 11</b>	100
anthracite matt	<b>8 1826 25 15</b>	100
grey glossy	<b>8 1826 25 07</b>	100
polar white glossy	<b>8 1826 25 19</b>	100
red glossy	<b>8 1826 25 76</b>	100
brown matt	<b>9 1826 25 11</b>	2
anthracite matt	<b>9 1826 25 15</b>	2
grey glossy	<b>9 1826 25 07</b>	2
polar white glossy	<b>9 1826 25 19</b>	2
black glossy	<b>9 1826 25 10</b>	2
chrome glossy, galvanised	<b>9 1826 25 18</b>	2
chrome matt, galvanised	<b>9 1826 25 28</b>	2
chrome matt, lacquered	<b>9 1826 25 58</b>	2
stainless steel matt, lacquered	<b>9 1826 25 24</b>	2
gold glossy, galvanised	<b>9 1826 25 38</b>	2
red glossy	<b>9 1826 25 76</b>	2
green glossy	<b>9 1826 25 70</b>	2
orange glossy	<b>9 1826 25 74</b>	2



**Frame 3gang**

– for vertical and horizontal mounting

▶ 200

Design	Order no.	PU
anthracite matt	<b>8 1819 25 15</b>	200
brown matt	<b>9 1819 25 11</b>	2
anthracite matt	<b>9 1819 25 15</b>	2
grey glossy	<b>9 1819 25 07</b>	2
polar white glossy	<b>9 1819 25 19</b>	2
black glossy	<b>9 1819 25 10</b>	2
chrome matt, lacquered	<b>9 1819 25 68</b>	2
chrome glossy, galvanised	<b>9 1819 25 18</b>	2
stainless steel matt, lacquered	<b>9 1819 25 24</b>	2
red glossy	<b>9 1819 25 76</b>	2
green glossy	<b>9 1819 25 70</b>	2
orange glossy	<b>9 1819 25 74</b>	2



**Frame**

- labelling field



Labelling field height arranged for P-touch strips 6 mm.

Design	Order no.	PU
anthracite matt	<b>9 1803 25 05</b>	10
grey glossy	<b>9 1803 25 07</b>	10
polar white glossy	<b>9 1803 25 09</b>	10
chrome matt, lacquered	<b>9 1803 25 68</b>	10
red glossy	<b>9 1803 25 76</b>	10
green glossy	<b>9 1803 25 90</b>	10
orange glossy	<b>9 1803 25 94</b>	10

**Frame with lens**



**Frame**

- lens upper right / Lens down left

– for socket with indicator LED



Design	Order no.	PU
anthracite matt	<b>9 1987 25 05</b>	10
grey glossy	<b>9 1987 25 06</b>	10
polar white glossy	<b>9 1987 25 02</b>	10
red glossy	<b>9 1987 25 76</b>	10
green glossy	<b>9 1987 25 03</b>	10
orange glossy	<b>9 1987 25 04</b>	10



**Frame**

- labelling field

– for socket with indicator LED

- lens upper left / Lens down right



Labelling field height arranged for P-touch strips 6 mm.

Design	Order no.	PU
anthracite matt	<b>8 1970 25 05</b>	200
grey glossy	<b>8 1970 25 06</b>	200
polar white glossy	<b>8 1970 25 02</b>	200
red glossy	<b>8 1970 25 76</b>	200
green glossy	<b>8 1970 25 03</b>	200
orange glossy	<b>8 1970 25 04</b>	200



### Frame

- labelling field
  - lens upper right / Lens down left
- for socket with indicator LED



Labelling field height arranged for P-touch strips 6 mm.

Design	Order no.	PU
anthracite matt	8 1977 25 05	200
grey glossy	8 1977 25 06	200
polar white glossy	8 1977 25 02	200
red glossy	8 1977 25 76	200
green glossy	8 1977 25 03	200
orange glossy	8 1977 25 04	200

### Frames with hinged cover



### Frame with hinged cover

- for covering of socket outlets

▶ 200

Design	Order no.	PU
brown matt	8 1828 25 01	200
anthracite matt	8 1828 25 05	200
grey glossy	8 1828 25 07	200
polar white glossy	8 1828 25 09	200
brown matt	9 1828 25 01	10
anthracite matt	9 1828 25 05	10
grey glossy	9 1828 25 07	10
polar white glossy	9 1828 25 09	10
black glossy	9 1828 25 10	10
chrome glossy, galvanised	9 1828 25 18	10
chrome matt, galvanised	9 1828 25 28	10
chrome matt, lacquered	9 1828 25 78	10
stainless steel matt, lacquered	9 1828 25 24	10
gold glossy, galvanised	9 1828 25 38	10
red glossy	9 1828 25 76	10
green glossy	9 1828 25 70	10
orange glossy	9 1828 25 74	10



### Frame with hinged cover

- labelling field



- with 2 labelling field inlays, neutral and perforated for socket outlet with indicator LED
- for covering of socket outlets

Labelling field height arranged for P-touch strips 9 mm.

Design	Order no.	PU
anthracite matt	9 1988 25 05	10
grey glossy	9 1988 25 06	10
polar white glossy	9 1988 25 02	10
red glossy	9 1988 25 76	10
green glossy	9 1988 25 03	10
orange glossy	9 1988 25 04	10

New

**Frame with hinged cover**

**- labelling field**

- with 2 labelling field inlays, neutral and perforated for socket outlet with indicator LED
- for covering of socket outlets



Labelling field height arranged for P-touch strips 9 mm.

Design Order no. PU

**Lens down left**

polar white glossy	★ 9 1988 25 82	10
green glossy	★ 9 1988 25 83	10
orange glossy	★ 9 1988 25 84	10
red glossy	★ 9 1988 25 86	10

**Lens down right**

polar white glossy	★ 9 1988 25 92	10
green glossy	★ 9 1988 25 93	10
orange glossy	★ 9 1988 25 94	10
red glossy	★ 9 1988 25 96	10



**IP44 applications**

Marked items are only suitable for splash-protected IP44 installation when used in conjunction with the corresponding sealing accessories and Berker integro module insert.

**Frame with imprint "IP44"**

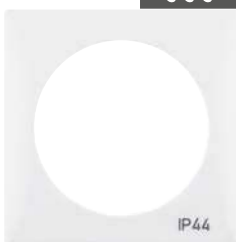
▶ 200

Not suitable for switches/push-buttons with split rocker.

- without sealing
- for water-proof covering of rocker switches/rocker push-buttons

Suitable for	Order no.	Page
Rocker switch		from p. 54
Rocker push-button		from p. 58
Sealing for IP 44 applications	818 53	78

Design	Order no.	PU
brown matt	9 1827 25 91	10
anthracite matt	9 1827 25 95	10
grey glossy	9 1827 25 97	10
polar white glossy	9 1827 25 99	10
chrome matt, lacquered	9 1827 25 68	10





### Frame with hinged cover and imprint "IP44"

▶ 200



- without sealing
- for waterproof covering of socket outlets

Suitable for	Order no.	Page
SCHUKO socket outlets		from p. 22
SCHUKO socket outlets with SNAP IN		from p. 28
Socket outlets with earthing pin		from p. 40
Sealing for IP 44 applications		from p. 78
Sealing IP44 for socket outlets with insulation-piercing terminals		from p. 79

Design	Order no.	PU
anthracite matt	<b>8 1828 25 95</b>	200
grey glossy	<b>8 1828 25 97</b>	200
polar white glossy	<b>8 1828 25 99</b>	200
brown matt	<b>9 1828 25 91</b>	10
anthracite matt	<b>9 1828 25 95</b>	10
grey glossy	<b>9 1828 25 97</b>	10
polar white glossy	<b>9 1828 25 99</b>	10
chrome matt, lacquered	<b>9 1828 25 68</b>	10
red glossy	<b>9 1828 25 86</b>	10
green glossy	<b>9 1828 25 90</b>	10
orange glossy	<b>9 1828 25 94</b>	10



### Sealing for IP 44 applications

Material thickness	2.5 mm	- for SCHUKO socket outlets and socket outlets with earthing pin (frame with hinged cover "IP 44" and contact protection box required!)
Cut-out Ø	46.5 mm	- for rocker switch/rocker push-button (frame IP 44 and contact protection box required!)

**New sealing material:**  
Cellular rubber, closed cell (EPDM-S), permanently elastic whilst also higher strength. For optimum sealing effect and improved material behaviour during installation.

Caution!

Not suitable for socket outlets with insulation-piercing terminals.

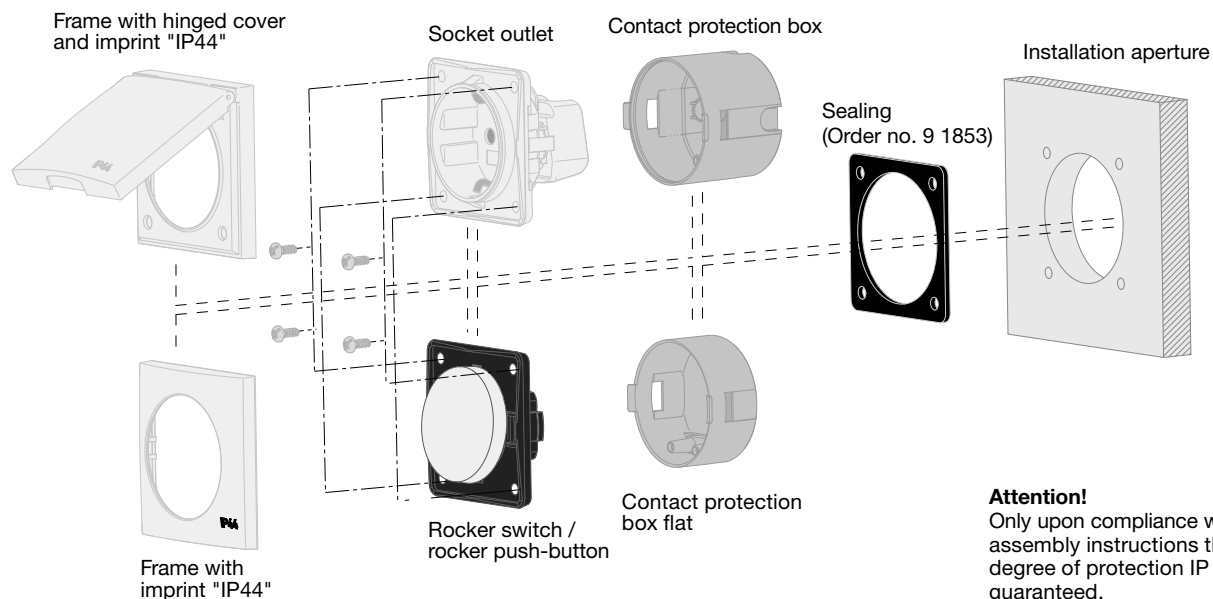
Not suitable for switches/push-buttons with split rocker.

Suitable for	Order no.	Page
SCHUKO socket outlets with plug-in terminals		from p. 22
SCHUKO socket outlets with screw terminals		from p. 23
Socket outlets with earthing pin and screw terminals		from p. 40
Rocker switch		from p. 54
Rocker push-button		from p. 58
Frame with imprint "IP44"		from p. 77
Frame with hinged cover and imprint "IP44"		from p. 78

Design	Order no.	PU
black	<b>818 53</b>	200
black	<b>918 53</b>	10

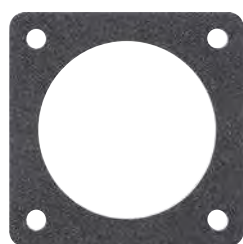


## Assembly instructions of IP44 covers



**Attention!**  
Only upon compliance with the assembly instructions the degree of protection IP 44 is guaranteed.

Berker integro  
Design flow



### Sealing IP44 for socket outlets with insulation-piercing terminals

Material thickness 2.5 mm  
Cut-out Ø 41 mm

**New sealing material:**  
Cellular rubber, closed cell (EPDM-S), permanently elastic whilst also higher strength. For optimum sealing effect and improved material behaviour during installation.

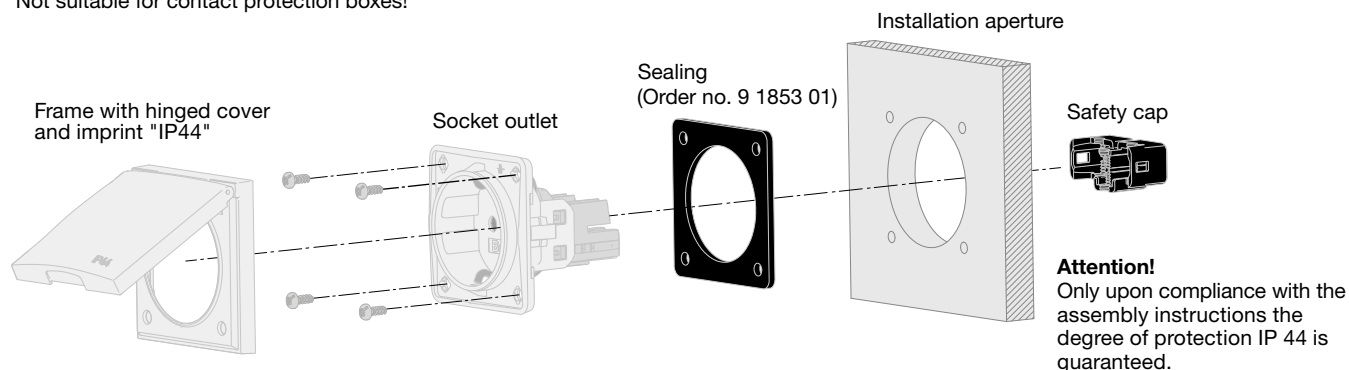
- for SCHUKO socket outlets with insulation-piercing terminals (frame with hinged cover "IP44" required!)
- for socket outlets with earthing pin and insulation-piercing terminals (frame with hinged cover "IP44" required!)

Suitable for	Order no.	Page
SCHUKO socket outlets with insulation-piercing terminals		from p. 24
Socket outlets with earthing pin and insulation-piercing terminals		from p. 41
Frame with hinged cover and imprint "IP44"		from p. 78

Design	Order no.	PU
black	<b>8 1853 01</b>	200
black	<b>9 1853 01</b>	10

### Assembly instructions for IP44 socket outlets with insulation-piercing terminals

Not suitable for contact protection boxes!



### Surface-mounted housing



#### Surface-mounted housing high

Dimensions (W x H x D) 59.5 x 59.5 x 41 mm – with cable entry  
 – for mounting on combustible base surface  
 – to built-on installation of devices

▶ 200

Design

##### without strain relief

Design	Order no.	Page
brown glossy	9 1151 25 01	10
anthracite glossy	9 1151 25 05	10
grey glossy	9 1151 25 07	10
polar white glossy	9 1151 25 09	10
black glossy	9 1151 25 10	10

##### with strain relief

brown glossy	9 1151 25 11	10
anthracite glossy	9 1151 25 15	10
grey glossy	9 1151 25 17	10
polar white glossy	9 1151 25 19	10
black glossy	9 1151 25 20	10



#### Surface-mounted housing flat

Dimensions (W x H x D) 59.5 x 59.5 x 16 mm – for mounting on combustible base surface  
 – to built-on installation of switches and push-buttons

▶ 200

Design

##### without strain relief

Design	Order no.	Page
anthracite glossy	9 1152 25 25	10
polar white glossy	9 1152 25 29	10



**with 1 strain relief**

polar white glossy	<b>8 1152 25 59</b>	200
anthracite glossy	<b>9 1152 25 55</b>	10
polar white glossy	<b>9 1152 25 59</b>	10



**with 2 strain reliefs**

polar white glossy	<b>8 1152 25 69</b>	200
anthracite glossy	<b>9 1152 25 65</b>	10
polar white glossy	<b>9 1152 25 69</b>	10



**Surface-mounted spacer ring**

Dimensions (W x H x D) 59.5 x 59.5 x 10 mm – for the reduction of the installation depth of the devices and surf.-mount. of switches and push-b. ▶ 200

Design	Order no.	PU
brown glossy	<b>9 1825 25 11</b>	10
anthracite glossy	<b>9 1825 25 15</b>	10
grey glossy	<b>9 1825 25 06</b>	10
polar white glossy	<b>9 1825 25 12</b>	10
black glossy	<b>9 1825 25 10</b>	10
chrome matt, lacquered	<b>9 1825 25 68</b>	10
stainless steel matt, lacquered	<b>9 1825 25 24</b>	10





# Berker integro design classic





# Berker integro design classic

A classic in the Berker integro family. Timeless design elements, such as rounded corners and smooth or textured surfaces, perfectly combined with modern design parameters such as flat surface geometry and a discreet corner radius. And the classic design installations become real eye-catchers! The granite-black, silk-matt lacquered design guarantees a special operating experience. An innovative, refined surface lacquer offers exceptional surface feel for connoisseurs.



# 03

## Page

Frames	88
Surface-mounted housing	91

calpe

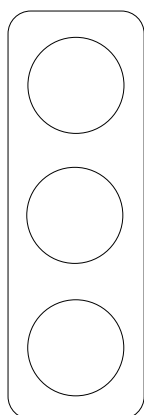
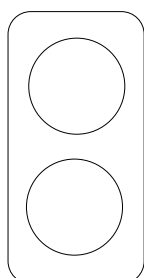
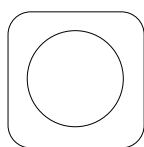
Berker integro  
Design classic



Marked items are suitable for splash-protected IP44 installation when used in conjunction with the corresponding sealing set.

# Product examples

## Berker integro design classic



### Dimensions

Frame 1-3gang (W x H)  
 1-gang: 59.5 x 59.5 mm  
 2-gang: 59.5 x 119 mm  
 3-gang: 59.5 x 178.5 mm







## Frames/Covers/ Central inserts

### Plastic, glossy

Grey	similar to RAL 7038
Polar white	similar to RAL 9010
Red	similar to RAL 3003
Green	similar to RAL 6032
Orange	similar to RAL 2008

### Plastic, lacquered, silk matt

Granite black	similar to RAL 7026
---------------	---------------------

### plastic, galvanised

Chrome glossy	similar to RAL 9023
Chrome matt	similar to RAL 9006
Gold glossy	

### Plastic, matt

Brown	similar to RAL 8017
Black	similar to RAL 9011



Berker integro  
Design classic



### Frames



#### Frame 1 gang

▶ 200

Design	Order no.	PU
brown matt	<b>8 1827 01</b>	200
grey glossy	<b>8 1827 07</b>	200
polar white glossy	<b>8 1827 09</b>	200
black matt	<b>8 1827 05</b>	200
brown matt	<b>9 1827 01</b>	10
grey glossy	<b>9 1827 07</b>	10
polar white glossy	<b>9 1827 09</b>	10
black matt	<b>9 1827 05</b>	10
granite black, silk matt, lacquered	<b>9 1827 45</b>	10
chrome glossy, galvanised	<b>9 1827 18</b>	10
chrome matt, galvanised	<b>9 1827 28</b>	10
gold glossy, galvanised	<b>9 1827 38</b>	10
stainless steel	<b>9 1827 04</b>	10
red glossy	<b>9 1827 86</b>	10
green glossy	<b>9 1827 87</b>	10
orange glossy	<b>9 1827 88</b>	10



#### Frame, screw mounting

▶ 200

Design	Order no.	PU
black matt	<b>9 1827 10</b>	10



#### Frame 2gang

▶ 200

– for vertical and horizontal mounting

Design	Order no.	PU
brown matt	<b>8 1826 11</b>	100
grey glossy	<b>8 1826 07</b>	100
black matt	<b>8 1826 15</b>	100
brown matt	<b>9 1826 11</b>	2
grey glossy	<b>9 1826 07</b>	2
polar white glossy	<b>9 1826 19</b>	2
black matt	<b>9 1826 15</b>	2
granite black, silk matt, lacquered	<b>9 1826 45</b>	2
chrome glossy, galvanised	<b>9 1826 18</b>	2
chrome matt, galvanised	<b>9 1826 28</b>	2
stainless steel	<b>9 1826 14</b>	2
gold glossy, galvanised	<b>9 1826 38</b>	2



#### Frame 3gang

▶ 200

– for vertical and horizontal mounting

Design	Order no.	PU
brown matt	<b>9 1819 11</b>	2
grey glossy	<b>9 1819 07</b>	2
polar white glossy	<b>9 1819 19</b>	2
black matt	<b>9 1819 15</b>	2
granite black, silk matt, lacquered	<b>9 1819 45</b>	2

**Frames with hinged cover**



**Frame with hinged cover**

▶ 200

- without sealing
- for covering of socket outlets

Design	Order no.	PU
brown matt	<b>8 1828 01</b>	200
grey glossy	<b>8 1828 07</b>	200
polar white glossy	<b>8 1828 09</b>	200
black matt	<b>8 1828 05</b>	200
brown matt	<b>9 1828 01</b>	10
grey glossy	<b>9 1828 07</b>	10
polar white glossy	<b>9 1828 09</b>	10
black matt	<b>9 1828 05</b>	10
granite black, silk matt, lacquered	<b>9 1828 45</b>	10
chrome glossy, galvanised	<b>9 1828 18</b>	10
chrome matt, galvanised	<b>9 1828 28</b>	10

**IP44 applications**

 Marked items are only suitable for splash-protected IP44 installation when used in conjunction with the corresponding sealing accessories and Berker Integro module insert.



**Frame with imprint "IP44"**

▶ 200

Not suitable for switches/push-buttons with split rocker.

- without sealing
- for water-proof covering of rocker switches/rocker push-buttons

Suitable for	Order no.	Page
Rocker switch		from p. 54
Rocker push-button		from p. 58
Sealing for IP 44 applications		from p. 90

Design	Order no.	PU
brown matt	<b>9 1827 91</b>	10
grey glossy	<b>9 1827 97</b>	10
polar white glossy	<b>9 1827 99</b>	10
black matt	<b>9 1827 95</b>	10



**Frame with hinged cover and imprint "IP44"**

▶ 200

- without sealing
- for waterproof covering of socket outlets

Suitable for	Order no.	Page
SCHUKO socket outlets		from p. 22
SCHUKO socket outlets with SNAP IN		from p. 28
Socket outlets with earthing pin		from p. 40
Sealing for IP 44 applications		from p. 90
Sealing IP44 for socket outlets with insulation-piercing terminals		from p. 91

Design	Order no.	PU
grey glossy	<b>8 1828 97</b>	200
polar white glossy	<b>8 1828 99</b>	200
black matt	<b>8 1828 95</b>	200
brown matt	<b>9 1828 91</b>	10
grey glossy	<b>9 1828 97</b>	10
polar white glossy	<b>9 1828 99</b>	10
black matt	<b>9 1828 95</b>	10
red glossy	<b>9 1828 86</b>	10
green glossy	<b>9 1828 90</b>	10
orange glossy	<b>9 1828 94</b>	10

### Frame with hinged cover and imprint "IP44", screw-on



Design

black matt

grey glossy

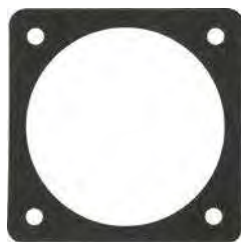
polar white glossy

black matt

- without sealing
- for waterproof covering of socket outlets

Suitable for	Order no.	Page
SCHUKO socket outlets		from p. 22
Socket outlets with earthing pin		from p. 40
Sealing for IP 44 applications		from p. 90
Order no.		PU
<b>8 1828 75</b>		<b>200</b>
<b>9 1828 77</b>		<b>10</b>
<b>9 1828 79</b>		<b>10</b>
<b>9 1828 75</b>		<b>10</b>

### Sealing for IP 44 applications



Material thickness

2.5 mm

Cut-out Ø

46.5 mm

#### New sealing material:

Cellular rubber, closed cell (EPDM-S), permanently elastic whilst also higher strength. For optimum sealing effect and improved material behaviour during installation.

Caution!

Not suitable for socket outlets with insulation-piercing terminals.

Not suitable for switches/push-buttons with split rocker.

- for SCHUKO socket outlets and socket outlets with earthing pin (frame with hinged cover "IP 44" and contact protection box required!)
- for rocker switch/rocker push-button (frame IP 44 and contact protection box required!)

Suitable for	Order no.	Page
SCHUKO socket outlets with plug-in terminals		from p. 22
SCHUKO socket outlets with screw terminals		from p. 23
Socket outlets with earthing pin and screw terminals		from p. 40
Rocker switch		from p. 54
Rocker push-button		from p. 58
Frame with imprint "IP44"		from p. 89
Frame with hinged cover and imprint "IP44"		from p. 89

Design

black

Order no.

**818 53**

PU

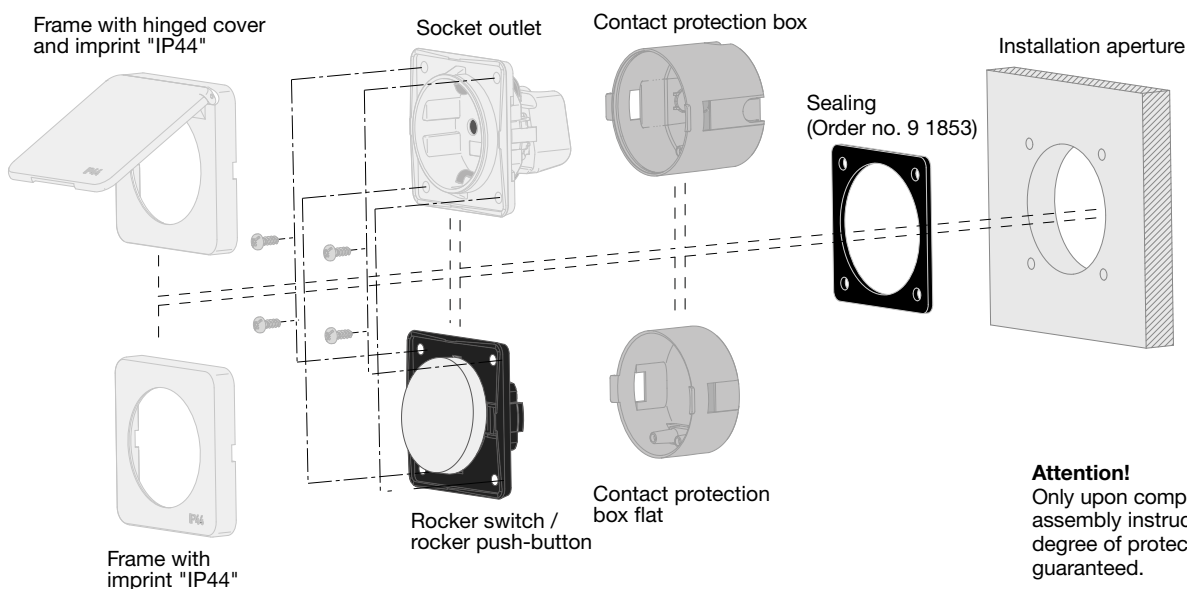
**200**

black

**918 53**

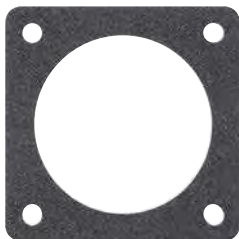
**10**

## Assembly instructions of IP44 covers



#### Attention!

Only upon compliance with the assembly instructions the degree of protection IP 44 is guaranteed.



**Sealing IP44 for socket outlets with insulation-piercing terminals**

Material thickness 2.5 mm  
Cut-out Ø 41 mm

**New sealing material:**  
Cellular rubber, closed cell (EPDM-S), permanently elastic whilst also higher strength. For optimum sealing effect and improved material behaviour during installation.

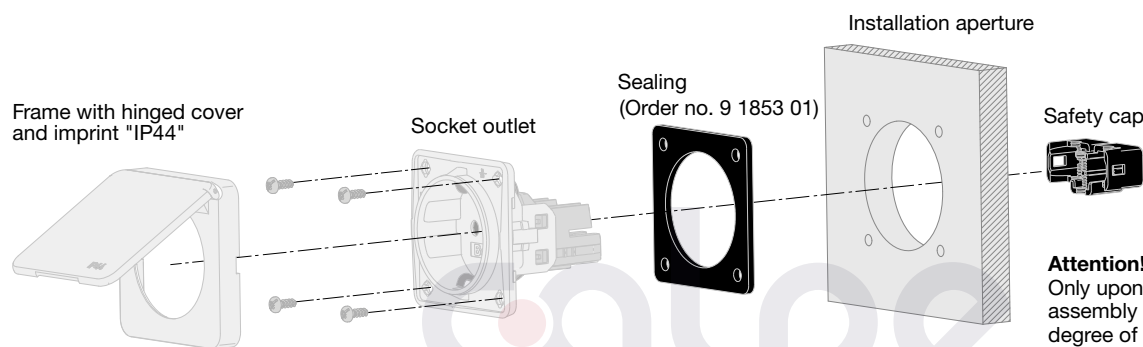
- for SCHUKO socket outlets with insulation-piercing terminals (frame with hinged cover "IP44" required!)
- for socket outlets with earthing pin and insulation-piercing terminals (frame with hinged cover "IP44" required!)

Suitable for	Order no.	Page
SCHUKO socket outlets with insulation-piercing terminals		from p. 24
Socket outlets with earthing pin and insulation-piercing terminals		from p. 41
Frame with hinged cover and imprint "IP44"		from p. 89

Design	Order no.	PU
black	<b>8 1853 01</b>	200
black	<b>9 1853 01</b>	10

**Assembly instructions for IP44 socket outlets with insulation-piercing terminals**

Not suitable for contact protection boxes!



Berker integro  
Design classic

**Surface-mounted housing**



**Surface-mounted housing high**

Dimensions (W x H x D) 59.5 x 59.5 x 41 mm

- with cable entry
- for mounting on combustible base surface
- to built-on installation of devices

▶ 200

Suitable for	Order no.	Page
Wire and duct entry	1813 ..	66

Design	Order no.	PU
<b>without strain relief</b>		
brown glossy	<b>9 1151 01</b>	10
grey glossy	<b>9 1151 07</b>	10
polar white glossy	<b>9 1151 09</b>	10
black glossy	<b>9 1151 05</b>	10

# Berker integro - design classic

## Surface-mounted housing



### Surface-mounted housing flat

▶ 200

Dimensions (W x H x D) 59.5 x 59.5 x 16 mm – for mounting on combustible base surface  
– to built-on installation of switches and push-buttons

Design Order no. PU

#### without strain relief

brown glossy	9 1152 21	10
grey glossy	9 1152 27	10
polar white glossy	9 1152 29	10
black glossy	9 1152 25	10

#### with 1 strain relief

polar white glossy	8 1152 59	200
polar white glossy	9 1152 59	10
black glossy	9 1152 55	10

#### with 2 strain reliefs

polar white glossy	9 1152 69	10
black glossy	9 1152 65	10



### Surface-mounted spacer ring

▶ 200

Dimensions (W x H x D) 59.5 x 59.5 x 10 mm – for the reduction of the installation depth of the devices and surf.-mount. of switches and push-b.

Design Order no. PU

brown matt	9 1825 11	10
grey matt	9 1825 06	10
polar white matt	9 1825 12	10
black matt	9 1825 15	10



calpe

# Berker integro design pure







Berker integro  
Design pure

# Berker integro design pure

The purist for built-in installations. Consistently clear, angular and with an absolutely planar surface, Berker integro remains modern and compact. Therefore it is the ideal component for an aesthetic ambiance. The granite-black, silk-matt lacquered design, guarantees a special operating experience. An innovative refined surface lacquer also offers an exceptional surface-feel for connoisseurs.





# 04

## Page

Frames	100
Surface-mounted housing	100

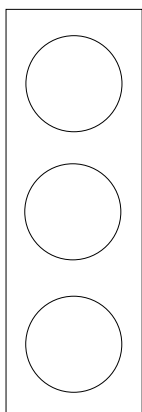
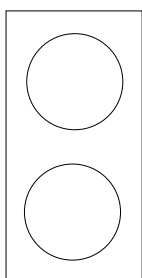
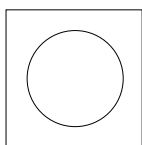




# Product examples

## Berker integro

### design pure



### Dimensions

**Frame 1-3gang (W x H)**  
 1-gang: 59.5 x 59.5 mm  
 2-gang: 59.5 x 119 mm  
 3-gang: 59.5 x 178.5 mm





## Frames/Covers/ Central inserts

### Plastic, glossy

polar white      similar to RAL 9010  
black              similar to RAL 9005

### Plastic, galvanised

chrome glossy    similar to RAL 9023  
chrome matt     similar to RAL 9006



### Plastic, lacquered

granite black, silk matt      similar to RAL 7026  
stainless steel                similar to RAL 9022

### Frames



#### Frame 1 gang

▶ 200

Design	Order no.	PU
polar white glossy	<b>9 1975 25 09</b>	10
black glossy	<b>9 1975 25 10</b>	10
granite black, silk matt, lacquered	<b>9 1975 25 45</b>	10
chrome matt, galvanised	<b>9 1975 25 28</b>	10
chrome glossy, galvanised	<b>9 1975 25 18</b>	10
stainless steel matt, lacquered	<b>9 1975 25 24</b>	10



#### Frame 2 gang

▶ 200

– for vertical and horizontal mounting

Design	Order no.	PU
polar white glossy	<b>9 1976 25 09</b>	2
black glossy	<b>9 1976 25 10</b>	2
granite black, silk matt, lacquered	<b>9 1976 25 45</b>	2
chrome matt, galvanised	<b>9 1976 25 28</b>	2
chrome glossy, galvanised	<b>9 1976 25 18</b>	2
stainless steel matt, lacquered	<b>9 1976 25 24</b>	2



#### Frame 3 gang

▶ 200

– for vertical and horizontal mounting

Design	Order no.	PU
polar white glossy	<b>9 1978 25 09</b>	2
black glossy	<b>9 1978 25 10</b>	2
granite black, silk matt, lacquered	<b>9 1978 25 45</b>	2
chrome matt, galvanised	<b>9 1978 25 28</b>	2
chrome glossy, galvanised	<b>9 1978 25 18</b>	2
stainless steel matt, lacquered	<b>9 1978 25 24</b>	2

### Frames with hinged cover



#### Frame with hinged cover

▶ 200

– for covering of socket outlets

Design	Order no.	PU
polar white glossy	<b>9 1828 25 09</b>	10
black glossy	<b>9 1828 25 10</b>	10
granite black, silk matt, lacquered	<b>9 1828 25 45</b>	10
chrome matt, galvanised	<b>9 1828 25 28</b>	10
chrome glossy, galvanised	<b>9 1828 25 18</b>	10
stainless steel matt, lacquered	<b>9 1828 25 24</b>	10

### Surface-mounted housing



#### Surface-mounted housing high

▶ 200

Dimensions (W x H x D) 59.5 x 59.5 x 41 mm

- with cable entry
- for mounting on combustible base surface
- to built-on installation of devices

Suitable for	Order no.	Page
Wire and duct entry	1813 ..	66

Design	Order no.	PU
<b>without strain relief</b>		
polar white glossy	<b>9 1151 25 09</b>	10
black glossy	<b>9 1151 25 10</b>	10
<b>with strain relief</b>		
polar white glossy	<b>9 1151 25 19</b>	10
black glossy	<b>9 1151 25 20</b>	10





**Surface-mounted housing flat**

▶ 200

Dimensions (W x H x D) 59.5 x 59.5 x 16 mm – for mounting on combustible base surface  
– to built-on installation of switches and push-buttons

Design Order no. PU

**without strain relief**  
polar white glossy **9 1152 25 29** 10

**with 1 strain relief**  
polar white glossy **9 1152 25 59** 10



**with 2 strain reliefs**  
polar white glossy **9 1152 25 69** 10



**Surface-mounted spacer ring**

▶ 200

Dimensions (W x H x D) 59.5 x 59.5 x 10 mm – for the reduction of the installation depth of the devices and surf.-mount. of switches and push-b.

Design Order no. PU

polar white glossy **9 1825 25 12** 10

black glossy **9 1825 25 10** 10

chrome matt, lacquered **9 1825 25 68** 10

stainless steel matt, lacquered **9 1825 25 24** 10





# Berker design twin

calpe





# Berker design twin

Functional and flexible, that's the design twin from Berker! This series can be used anywhere where extremely shallow installation depths and minimal dimensions are important. This timeless design allows you to integrate the design twin into any modern ambiance, and the decor rings offer you the option of integrating articles from the integro range into the design twin.



# 05

## Page

SCHUKO socket outlets	108
Socket outlets with earthing pin	109
Switch	110
Frames	110

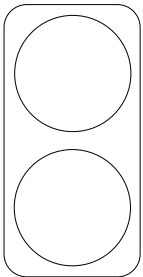
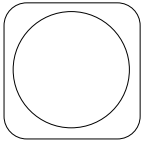
calpe



# Product examples

## Berker

### design twin



### Dimensions

**Frames 1gang and 2gang (W x H)**  
 1-gang: 59.5 x 59.5 mm  
 2-gang: 59.5 x 119 mm





## Frames/inserts

### Plastic, glossy

black similar to RAL 9005  
Polar white similar to RAL 9010

### Plastic, lacquered

Chrome matt similar to RAL 9006

### plastic, galvanised

Chrome matt similar to RAL 9006  
Chrome glossy similar to RAL 9023



**SCHUKO socket outlets**



**SCHUKO socket outlet**

- screw terminals



Rated voltage 250 V~  
Rated current 16 A

Connection terminals according to IEC 60884-1

**Suitable for**

Contact protection box Ø 45 mm  
Contact protection box Ø 49 mm  
Contact protection box 2gang  
Contact protection box 3gang

**Order no.**

9 1820 ..  
918 8 ..  
9 191 ..  
919 33

**Page**

63  
63  
64  
64

Design	Order no.	PU
polar white glossy	<b>8 4196 09</b>	200
black glossy	<b>8 4196 05</b>	200
polar white glossy	<b>9 4196 09</b>	10
black glossy	<b>9 4196 05</b>	10



**SCHUKO socket outlet**

- enhanced contact protection  
- screw terminals



Rated voltage 250 V~  
Rated current 16 A

Connection terminals according to IEC 60884-1  
Enhanced contact protection according to IEC 60884-1

**Suitable for**

Contact protection box Ø 45 mm  
Contact protection box Ø 49 mm  
Contact protection box 2gang  
Contact protection box 3gang

**Order no.**

9 1820 ..  
918 8 ..  
9 191 ..  
919 33

**Page**

63  
63  
64  
64

Design	Order no.	PU
polar white glossy	<b>9 4198 09</b>	10
black glossy	<b>9 4198 05</b>	10



**SCHUKO socket outlet with hinged cover**

- screw terminals



Rated voltage 250 V~  
Rated current 16 A

Connection terminals according to IEC 60884-1

- when opening hinged cover, it can be arrested in end position

**Suitable for**

Contact protection box Ø 45 mm  
Contact protection box Ø 49 mm  
Contact protection box 2gang  
Contact protection box 3gang

**Order no.**

9 1820 ..  
918 8 ..  
9 191 ..  
919 33

**Page**

63  
63  
64  
64

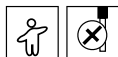
Design	Order no.	PU
polar white glossy	<b>9 4197 09</b>	10
black glossy	<b>9 4197 05</b>	10
black glossy, hinged cover in chrome matt, galvanised	<b>9 4197 28</b>	10





**SCHUKO socket outlet with hinged cover**

- enhanced contact protection
- screw terminals



Rated voltage 250 V~  
Rated current 16 A

Connection terminals according to IEC 60884-1  
Enhanced contact protection according to IEC 60884-1

- when opening hinged cover, it can be arrested in end position

Suitable for	Order no.	Page
Contact protection box Ø 45 mm	9 1820 ..	63
Contact protection box Ø 49 mm	918 8 ..	63
Contact protection box 2gang	9 191 ..	64
Contact protection box 3gang	919 33	64

Design	Order no.	PU
polar white glossy	<b>9 4199 09</b>	10
black glossy	<b>9 4199 05</b>	10
black glossy, hinged cover in chrome glossy, galvanised	<b>9 4199 18</b>	10
black glossy, hinged cover in chrome matt, galvanised	<b>9 4199 28</b>	10



**Socket outlets with earthing pin**



**Socket outlet with earthing pin**

- enhanced contact protection
- screw terminals



Rated voltage 250 V~  
Rated current 16 A

Connection terminals according to IEC 60884-1  
Enhanced contact protection according to IEC 60884-1

- 2pole + earth

Suitable for	Order no.	Page
Contact protection box Ø 45 mm	9 1820 ..	63
Contact protection box Ø 49 mm	918 8 ..	63
Contact protection box 2gang	9 191 ..	64
Contact protection box 3gang	919 33	64

Design	Order no.	PU
polar white glossy	<b>9 6198 09</b>	10
black glossy	<b>9 6198 05</b>	10



**Socket outlet with earthing pin and hinged cover**

- enhanced contact protection
- screw terminals



Rated voltage 250 V~  
Rated current 16 A

Connection terminals according to IEC 60884-1  
Enhanced contact protection according to IEC 60884-1

- when opening hinged cover, it can be arrested in end position
- 2pole + earth

Suitable for	Order no.	Page
Contact protection box Ø 45 mm	9 1820 ..	63
Contact protection box Ø 49 mm	918 8 ..	63
Contact protection box 2gang	9 191 ..	64
Contact protection box 3gang	919 33	64

Design	Order no.	PU
black glossy	<b>9 6199 05</b>	10
black glossy, hinged cover in chrome glossy, galvanised	<b>9 6199 18</b>	10
black glossy, hinged cover in chrome matt, galvanised	<b>9 6199 28</b>	10



### Switch



#### On/off switch

Rated voltage 250 V~ – with screw terminals  
 Switching current 10 AX  
 Power, LED max. 100 W

Suitable for	Order no.	Page
Contact protection box Ø 45 mm, flat	9 1820 0 ..	63
Contact protection box Ø 45 mm	918 20 ..	63
Contact protection box Ø 49 mm	918 8 ..	63
Contact protection box 2gang	9 191 ..	64
Contact protection box 3gang	919 33	64
<b>Optional</b>		
Frame, 1gang, with 19 mm edge	9 1943 ..	111
Frame 2gang, with 19 mm edge	9 1944 0 ..	111

Design	Order no.	PU
polar white glossy	<b>8 3681 09</b>	200
black glossy	<b>8 3681 05</b>	200
polar white glossy	<b>9 3681 09</b>	10
black glossy	<b>9 3681 05</b>	10
chrome glossy, galvanised	<b>9 3681 18</b>	10
chrome matt, lacquered	<b>9 3681 68</b>	10



#### Change-over switch

Rated voltage 250 V~ – with screw terminals  
 Switching current 10 AX  
 Power, LED max. 100 W

Suitable for	Order no.	Page
Contact protection box Ø 45 mm, flat	9 1820 0 ..	63
Contact protection box Ø 45 mm	918 20 ..	63
Contact protection box Ø 49 mm	918 8 ..	63
Contact protection box 2gang	9 191 ..	64
Contact protection box 3gang	919 33	64
<b>Optional</b>		
Frame, 1gang, with 19 mm edge	9 1943 ..	111
Frame 2gang, with 19 mm edge	9 1944 0 ..	111

Design	Order no.	PU
polar white glossy	<b>9 3686 09</b>	10
black glossy	<b>9 3686 05</b>	10
chrome glossy, galvanised	<b>9 3686 18</b>	10
chrome matt, galvanised	<b>9 3686 28</b>	10



#### On/off switch 2pole with imprint "0"

Rated voltage 250 V~ – with screw terminals  
 Switching current 10 AX  
 Power, LED max. 100 W

Suitable for	Order no.	Page
Contact protection box Ø 45 mm, flat	9 1820 0 ..	63
Contact protection box Ø 45 mm	918 20 ..	63
Contact protection box Ø 49 mm	918 8 ..	63
Contact protection box 2gang	9 191 ..	64
Contact protection box 3gang	919 33	64
<b>Optional</b>		
Frame, 1gang, with 19 mm edge	9 1943 ..	111
Frame 2gang, with 19 mm edge	9 1944 0 ..	111

Design	Order no.	PU
polar white glossy	<b>9 3682 09</b>	10
black glossy	<b>9 3682 05</b>	10



### Frames



#### Frame 1gang

Design	Order no.	PU
polar white glossy	<b>9 1941 09</b>	10
black glossy	<b>9 1941 05</b>	10
chrome glossy, galvanised	<b>9 1941 18</b>	10
chrome matt, galvanised	<b>9 1941 28</b>	10





**Frame 2gang**

– for vertical and horizontal mounting

Design	Order no.	PU
polar white glossy	<b>9 1942 09</b>	2
black glossy	<b>9 1942 05</b>	2
chrome glossy, galvanised	<b>9 1942 18</b>	2
chrome matt, galvanised	<b>9 1942 28</b>	2



**Frame, 1gang, with 19 mm edge**

Reduction of installation depth by 10 mm – for the reduction of the installation depth of the devices and surf.-mount. of switches and push-b.

Use only in conjunction with spacer ring order no. 91936

Suitable for Switch	Order no.	Page from p.
Spacer ring for frames with 19 mm edge	919 36	110 111

Design	Order no.	PU
polar white glossy	<b>9 1943 09</b>	10
black glossy	<b>9 1943 05</b>	10
chrome glossy, galvanised	<b>9 1943 18</b>	10



**Frame 2gang, with 19 mm edge**

Reduction of installation depth by 10 mm – for vertical and horizontal mounting

Use only in conjunction with spacer ring order no. 91936 – for the reduction of the installation depth of the devices and surf.-mount. of switches and push-b.

Suitable for Switch	Order no.	Page from p.
Spacer ring for frames with 19 mm edge	919 36	110 111

Design	Order no.	PU
polar white glossy	<b>9 1944 09</b>	2
black glossy	<b>9 1944 05</b>	2



**Spacer ring for frames with 19 mm edge**

Reduction of installation depth by 10 mm – for the reduction of the installation depth of the devices and surf.-mount. of switches and push-b.

Suitable for	Order no.	Page
Frame, 1gang, with 19 mm edge	9 1943 ..	111
Frame 2gang, with 19 mm edge	9 1944 0 ..	111

Design	Order no.	PU
black glossy	<b>919 36</b>	10



**Adapter ring for twin/twin-Box**

For use with all devices from the Berker Integro range with the exception of:

- rotary dimmers and rotary potentiometers
- USB 230 V charging sockets
- socket outlets with British Standard earthing contact
- socket outlets with insulation-piercing terminals

Design	Order no.	PU
anthracite matt, lacquered	<b>9 1969 06</b>	10
grey glossy	<b>9 1969 07</b>	10
polar white glossy	<b>9 1969 09</b>	10
black glossy	<b>9 1969 05</b>	10
chrome glossy	<b>9 1969 18</b>	10



# Berker twin-box





# Berker twin-box

Corners present a special challenge with each electrical installation. Normal switches and sockets cannot just be mounted here – the Berker twin-box designed as a 2-gang combination means that corner solutions are no longer a problem. The twin-box allows quick installations in any corner. And the entire range of functional Berker integro module inserts is available for equipping the Berker twin-box.



# 06

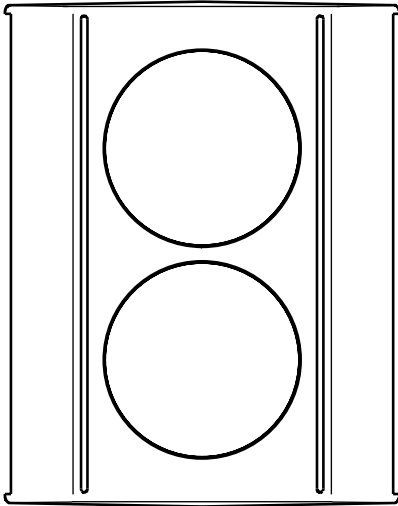
## Page

Combinations socket outlets	121
Combination USB charging socket/ socket outlet	122
Combinations switch/socket outlet	122
Accessories	125

calpe

# Product examples

## Berker twin-box



### Dimensions

For dimensions and further technical data please refer to Page 212





## Combinations/empty housing/ adapter rings

### Plastic, glossy

Polar white	similar to RAL 9010
Grey	similar to RAL 7038
Black	similar to RAL 9005

### Plastic, lacquered

Anthracite	similar to RAL 7021
Chrome matt	similar to RAL 9006

### Plastic, galvanised

Chrome matt	similar to RAL 9006
-------------	---------------------

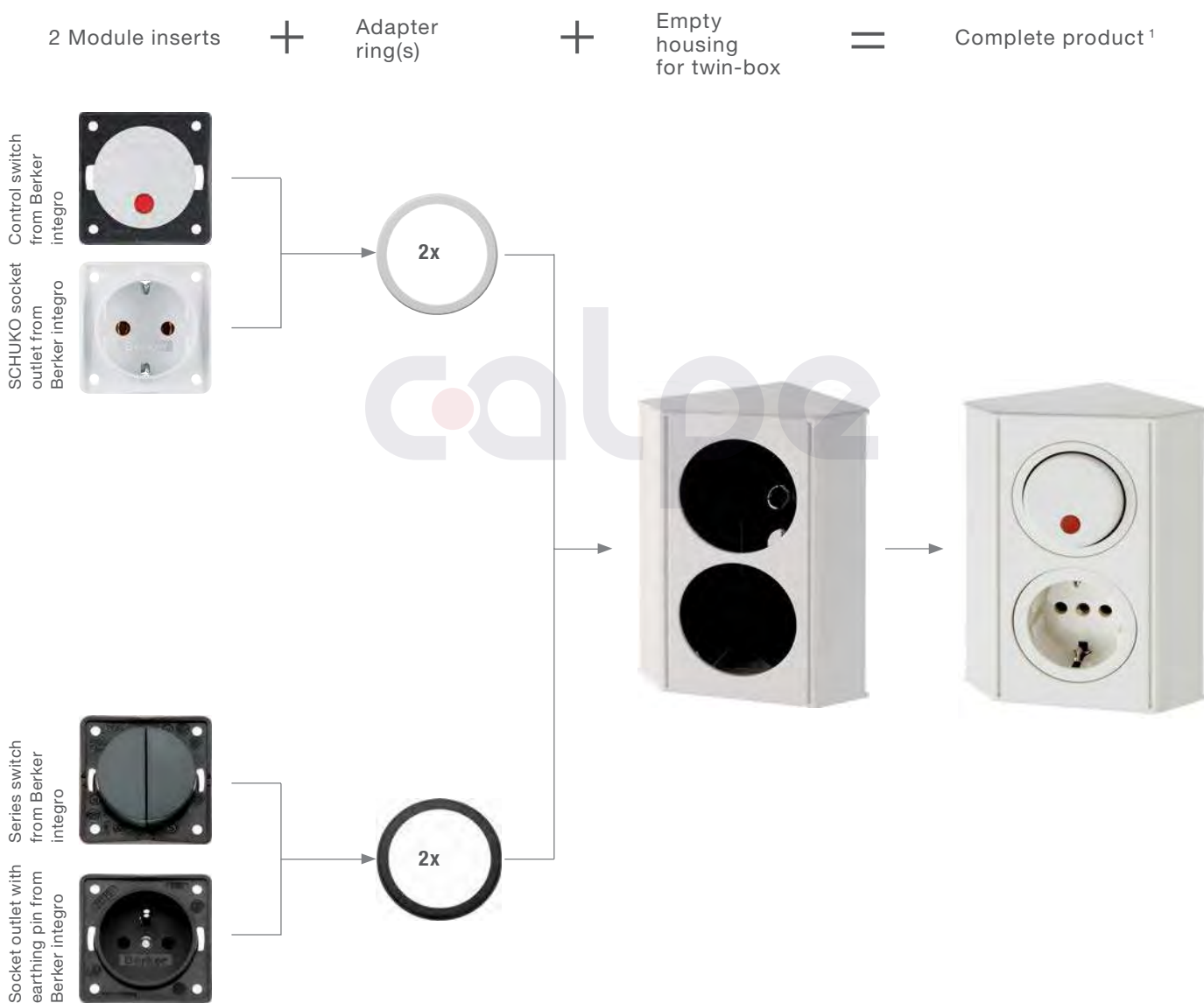
calpe

# Berker twin-box

## Individual appliance combination

Berker twin-box can be individually combined. The large selection of matching Berker integro Module inserts offers a wealth of combination options. Simply install two Module inserts, each with an adapter ring, in the

desired colour (order no. 9 1969..) in an empty housing for Twin-Box (order no. 1948 9..). The scope of delivery of the housing contains flat-headed screws, size M3 for rear-side insert fastening and a strain relief.



Additional basic variants module inserts:  
 - international socket outlets  
 - Rocker push-buttons

**i** Only combine either mains voltage or low voltage appliances in a twin-box!

<sup>1</sup>Complete product only shown as an example



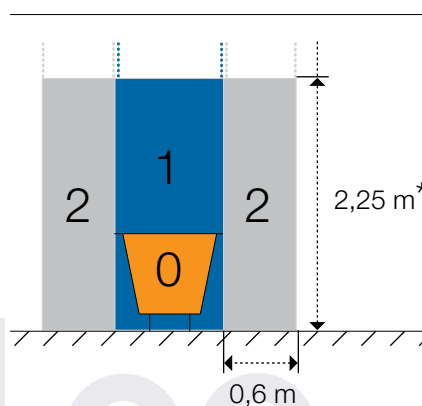
## Electrical resources in rooms with bathtubs or showers

Spaces in apartments or hotel rooms with a bathtub or shower require special safety measures during the installation and use of electrical resources (e.g. switches, socket outlets). Although not designated as wet

rooms, areas near bathtubs and showers represent a greater potential for danger. To prevent the risk of an electric shock, three areas with different protection requirements are specified:

### Areas with bathtubs

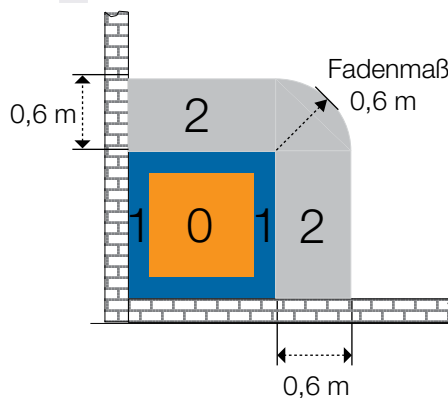
- Area 0
- Area 1
- Area 2



\* Areas 1 and 2 expanded upwards to the highest water outlet, if position above 2.25 m

### Areas with showers

- Area 0
- Area 1
- Area 2



No 230 V sockets may be installed in any of the three areas.

Outside the areas, the installation of 230 V-resources (e.g. mounted in a Berker twin-box) is permitted, providing that the corresponding circuit is secured via RCD (error current safety device with a rated different current  $I_{\Delta N} \leq 30 \text{ mA}$ ). No additional water protection

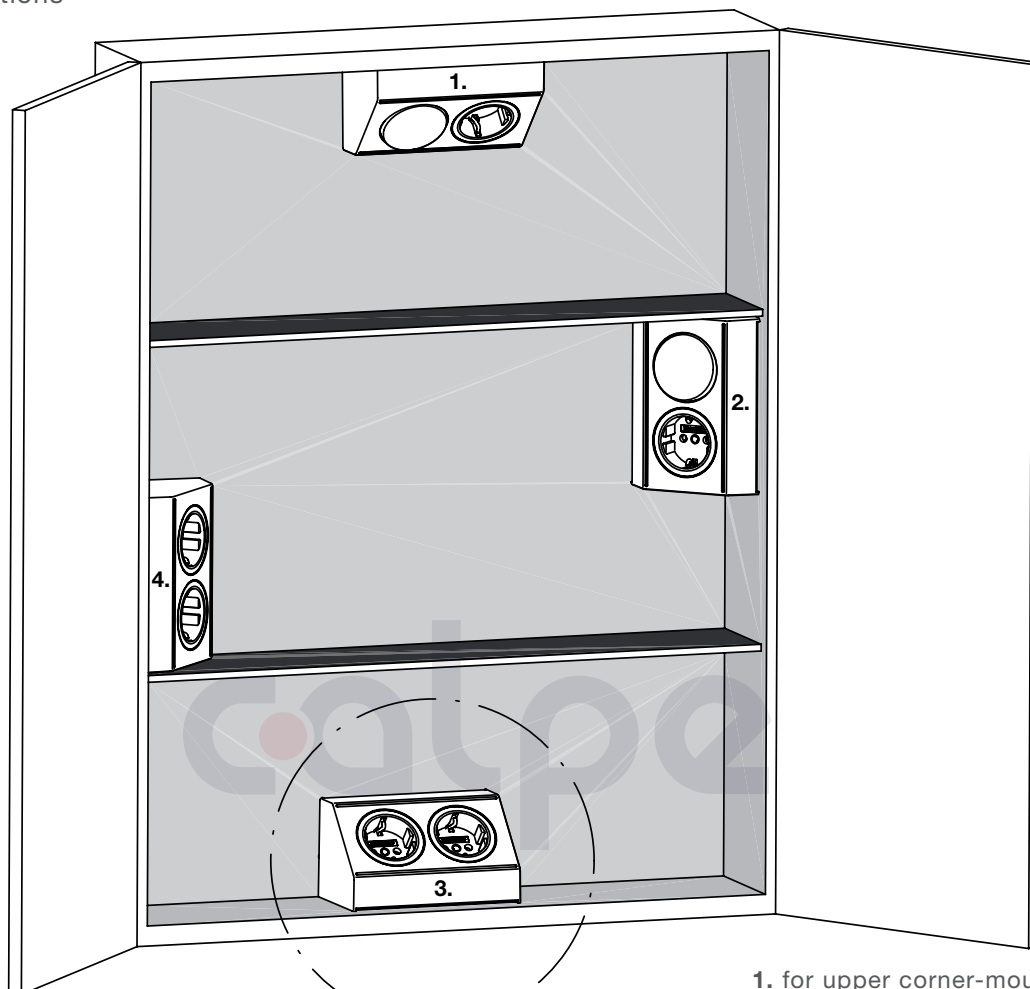
is required as with, for example, devices with degree of protection IP44. In order to prevent the ingress of water into socket outlets and switches, we recommend using IP44 products outside the three areas.

**i** The exact limits of the areas differ according to the country of use. Therefore, please refer to the current country-specific standards for the appli-

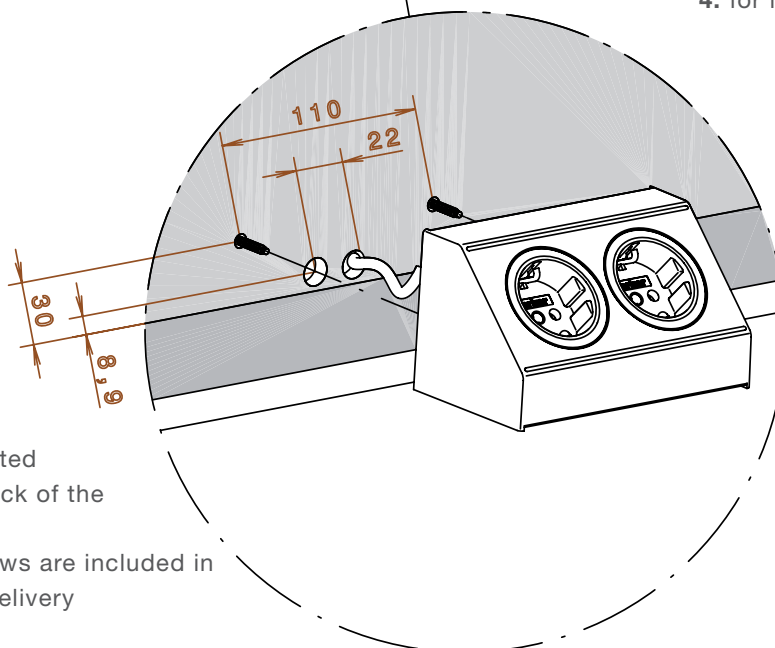
cable regulations. The construction regulations here apply to Germany VDE 0100-701.

# Berker twin-box

Mounting orientations



- 1. for upper corner-mounting
- 2. for right corner-mounting
- 3. for lower corner-mounting
- 4. for left corner-mounting



- Cables are routed through the back of the furniture
- Fastening screws are included in the scope of delivery

**Combinations socket outlets**



**twin-box with SCHUKO socket outlets**

▶ 201

- screw terminals



Lead 3 x 1.5 mm<sup>2</sup>  
Line length ≈ 1.5 m  
Rated current 16 A  
Rated voltage 250 V~

- with fixing screws
- housings in polar white glossy
- socket outlets in polar white glossy
- pre-assembled, with 3-core cable
- welded wires
- for vertical corner-mounting
- for screw cover on backside

Connection terminals according to IEC 60884-1



Design	Order no.	PU
for left corner-mounting	<b>1948 02</b>	1



**twin-box with SCHUKO socket outlets**

▶ 201

- screw terminals



Lead 3 x 1.5 mm<sup>2</sup>  
Line length ≈ 1.5 m  
Rated current 16 A  
Rated voltage 250 V~

- with fixing screws
- housing in chrome matt, lacquered
- socket outlets in black glossy
- pre-assembled, with 3-core cable
- welded wires
- for vertical corner-mounting
- for screw cover on backside

Connection terminals according to IEC 60884-1



Design	Order no.	PU
for right corner-mounting	<b>1948 18</b>	1



**twin-box with SCHUKO socket outlets**

▶ 201

- screw terminals



Lead 3 x 1.5 mm<sup>2</sup>  
Line length ≈ 1.5 m  
Rated current 16 A  
Rated voltage 250 V~

- with fixing screws
- housing in chrome matt, lacquered
- socket outlets in black glossy
- pre-assembled, with 3-core cable
- welded wires
- for horizontal corner-mounting
- for screw cover on backside

Connection terminals according to IEC 60884-1



Design	Order no.	PU
for lower corner-mounting	<b>1948 30</b>	1



**twin-box with socket outlets with earthing pin**

▶ 201

- enhanced contact protection

- screw terminals



Lead 3 x 2.5 mm<sup>2</sup>  
Line length ≈ 1.5 m  
Rated current 16 A  
Rated voltage 250 V~

- with fixing screws
- housing in chrome matt, lacquered
- socket outlets in black glossy
- pre-assembled, with 3-core cable
- welded wires
- for vertical corner-mounting
- for screw cover on backside

Connection terminals according to IEC 60884-1

Enhanced contact protection according to IEC 60884-1



Design	Order no.	PU
for left corner-mounting	<b>1948 25</b>	24

# Berker twin-box

## Combination USB charging socket/outlet socket / Combinations



### twin-box with socket outlets with earthing pin

▶ 201

- enhanced contact protection
- screw terminals



Lead	3 x 2.5 mm <sup>2</sup>
Line length	≈ 1.5 m
Rated current	16 A
Rated voltage	250 V~

- with fixing screws
- housing in chrome matt, lacquered
- socket outlets in black glossy
- pre-assembled, with 3-core cable
- welded wires
- for vertical corner-mounting
- for screw cover on backside

Connection terminals according to IEC 60884-1  
Enhanced contact protection according to IEC 60884-1



Design	Order no.	PU
for right corner-mounting	<b>1948 19</b>	24

## Combination USB charging socket/socket outlet



### twin-box with USB socket outlet/SCHUKO socket outlet

▶ 201

- screw terminals



Input voltage	230 V~ (-15%/+10%)
Output voltage	5 V= (± 5 %)
Output current per socket	max. 3 A
Output current when operating both sockets (total)	max. 3 A
Lead	3 x 1.5 mm <sup>2</sup>
Line length	≈ 1.5 m
Rated voltage socket outlet	230 V~
Rated current socket outlet	16 A

- housing in chrome matt, lacquered
- socket outlets and adapter rings in anthracite, matt
- for charging mobile end devices via USB cable
- with 2 USB sockets type A
- pre-assembled, with 3-core cable
- welded wires
- for vertical corner-mounting
- for screw cover on backside
- with fixing screws

USB connections according to IEC 62680-3

Design	Order no.	PU
for right corner-mounting	<b>1948 29</b>	1

## Combinations switch/socket outlet



### twin-box with on/off switch/socket outlet SCHUKO

▶ 201

- screw terminals



Lead	3 x 1.5 mm <sup>2</sup>
Line length	≈ 1.5 m
Rated current	16 A
Rated voltage	250 V~
Light fitting cable	2 x 0.75 mm <sup>2</sup>
Power, LED	max. 100 W
Switching current	10 AX

- with fixing screws
- housings in polar white glossy
- socket outlet and switch in polar white glossy
- pre-assembled, with 3-core lead and 2-core light fitting wire
- welded wires
- for vertical corner-mounting
- for screw cover on backside

Connection terminals according to IEC 60884-1

Design	Order no.	PU
for right corner-mounting	<b>1948 08</b>	1



**twin-box with on/off switch/socket outlet SCHUKO**

▶ 201

- screw terminals



Lead	3 x 1.5 mm <sup>2</sup>
Line length	≈ 1.5 m
Rated current	16 A
Rated voltage	250 V~
Light fitting cable	2 x 0.75 mm <sup>2</sup>
Power, LED	max. 100 W
Switching current	10 AX

- with fixing screws
- housing in chrome matt, lacquered
- switches in chrome matt, lacquered
- socket outlet in black glossy
- pre-assembled, with 3-core lead and 2-core light fitting wire
- welded wires
- for vertical corner-mounting
- for screw cover on backside

Connection terminals according to IEC 60884-1

Design	Order no.	PU
for right corner-mounting	<b>1948 13</b>	1



**twin-box with on/off switch/socket outlet SCHUKO**

▶ 201

- screw terminals



Lead	3 x 1.5 mm <sup>2</sup>
Line length	≈ 1.5 m
Rated current	16 A
Rated voltage	250 V~
Light fitting cable	3 x 0.75 mm <sup>2</sup>
Power, LED	max. 100 W
Switching current	10 AX

- with fixing screws
- housing in chrome matt, lacquered
- switches in chrome matt, lacquered
- socket outlet in black glossy
- confectioned, with 3-core lead and 3-core light fitting wire
- welded wires
- for vertical corner-mounting
- for screw cover on backside

Connection terminals according to IEC 60884-1

Design	Order no.	PU
for right corner-mounting	<b>1948 17</b>	1



**twin-box with on/off switch/socket outlet SCHUKO**

▶ 201

- screw terminals



Lead	3 x 1.5 mm <sup>2</sup>
Line length	≈ 1.5 m
Rated current	16 A
Rated voltage	250 V~
Light fitting cable	3 x 1.5 mm <sup>2</sup>
Power, LED	max. 100 W
Switching current	10 AX

- with fixing screws
- housing in chrome matt, lacquered
- switches in chrome matt, lacquered
- socket outlet in black glossy
- confectioned, with 3-core lead and 3-core light fitting wire
- welded wires
- for vertical corner-mounting
- for screw cover on backside

Connection terminals according to IEC 60884-1

Design	Order no.	PU
for right corner-mounting	<b>1948 27</b>	24

# Berker twin-box

## Combinations switch/socket outlet



### twin-box with on/off switch/socket outlet with earthing pin

▶ 201

- enhanced contact protection
- screw terminals



Lead	3 x 1.5 mm <sup>2</sup>
Line length	≈ 1.5 m
Rated current	16 A
Rated voltage	250 V~
Light fitting cable	2 x 0.75 mm <sup>2</sup>
Power, LED	max. 100 W
Switching current	10 AX

- with fixing screws
- housing in chrome matt, lacquered
- switches in chrome matt, lacquered
- socket outlet in black glossy
- pre-assembled, with 3-core lead and 2-core light fitting wire
- welded wires
- for vertical corner-mounting
- for screw cover on backside

Connection terminals according to IEC 60884-1  
Enhanced contact protection according to IEC 60884-1

Design	Order no.	PU
for right corner-mounting	<b>1948 20</b>	1



### twin-box with on/off switch/socket outlet with earthing pin

▶ 201

- enhanced contact protection
- screw terminals



Lead	3 x 2.5 mm <sup>2</sup>
Line length	≈ 1.5 m
Rated current	16 A
Rated voltage	250 V~
Light fitting cable	3 x 1.5 mm <sup>2</sup>
Power, LED	max. 100 W
Switching current	10 AX

- with fixing screws
- housing in chrome matt, lacquered
- switches in chrome matt, lacquered
- socket outlet in black glossy
- confectioned, with 3-core lead and 3-core light fitting wire
- welded wires
- for vertical corner-mounting
- for screw cover on backside

Connection terminals according to IEC 60884-1  
Enhanced contact protection according to IEC 60884-1

Design	Order no.	PU
for right corner-mounting	<b>1948 26</b>	1



### twin-box with on/off switch/socket outlet with earthing pin

▶ 201

- enhanced contact protection
- screw terminals



Lead	3 x 2.5 mm <sup>2</sup>
Line length	≈ 1.5 m
Rated current	16 A
Rated voltage	250 V~
Light fitting cable	3 x 2.5 mm <sup>2</sup>
Power, LED	max. 100 W
Switching current	10 AX

- with fixing screws
- housing in chrome matt, lacquered
- switches in chrome matt, lacquered
- socket outlet in black glossy
- confectioned, with 3-core lead and 3-core light fitting wire
- welded wires
- for vertical corner-mounting
- for screw cover on backside

Connection terminals according to IEC 60884-1  
Enhanced contact protection according to IEC 60884-1

Design	Order no.	PU
for right corner-mounting	<b>1948 16</b>	1

## Accessories



### Empty housing for design twin/twin box

▶ 201

Appliance opening Ø 51.5 mm – for vertical and horizontal mounting

Caution!

Use only with intermediate rings 1127 09, 1127 62 and 1127 65.

- floor and rear wall in black
- with strain relief
- with fixing and mounting screws
- with 2 contact protection boxes for insulation protection

Design	Order no.	PU
anthracite matt, lacquered	<b>1948 93</b>	1
grey glossy	<b>1948 98</b>	1
polar white glossy	<b>1948 99</b>	1
chrome matt, lacquered	<b>1948 94</b>	1
chrome matt, galvanised	<b>1948 96</b>	1



### Adapter ring for design twin/twin box

For use with all devices from the Berker integro range with the exception of:

- rotary dimmers and rotary potentiometers
- USB 230 V charging sockets
- socket outlets with British Standard earthing contact
- socket outlets with insulation-piercing terminals

Design	Order no.	PU
anthracite matt, lacquered	<b>9 1969 06</b>	10
grey glossy	<b>9 1969 07</b>	10
polar white glossy	<b>9 1969 09</b>	10
black glossy	<b>9 1969 05</b>	10
chrome glossy	<b>9 1969 18</b>	10









# A.2

Page

**07 Berker integro box**



128

**08 Berker Built-in socket outlets**



136

**09 Berker Medicine and laboratory technology**



152



**10 Berker Solutions**



180

**11 Technical information**

194

# Berker integro box





calpe

Berker  
integro box

# Berker integro box

Compact installation dimensions combined with various fastening options, offer the user a diverse range of easy options to integrate the Berker integro box. Multiple combination options of frame versions from the design flow range, in combination with the complete portfolio of Berker integro Module inserts, offer a wide range of customised installation options.





# 07

## Page

Integro Box with Schuko socket outlet	134
Installation sets	134

Berker  
integro box



# Product examples

## Berker integro box



### Dimensions

For dimensions and further technical data please refer to Page 218



Berker integro box with Schuko socket outlet and frame, polar white glossy



Berker integro box with Schuko socket outlet, hinged cover and on/off switch, polar white glossy



## integro box/empty housing

**Plastic, glossy**  
polar white    similar to RAL 9010

**Plastic, lacquered**  
Chrome matt    similar to RAL 9006



# Berker integro box

## integro box with Schuko socket outlet / Installation sets

### integro box with Schuko socket outlet



#### integro box with SCHUKO socket outlet

Rated voltage	250 V~	– with SCHUKO socket outlet, pre-assembled with contact protection box	▶ 202
Rated current	16 A	– confectioned, with 3-core cable with conductor sleeves	
Lead	3 x 1.5 mm <sup>2</sup>	– rear wall in polar white	
Line length	≈ 1 m		

Frames/frames with hinged cover exclusively from Berker integro programme have to be ordered separately to complete the article.

Suitable for	Order no.	Page
Frame 1gang	9 1827 25 ..	74
Frame with hinged cover	9 1828 25 ..	76

Design	Order no.	PU
polar white glossy	<b>1979 01 09</b>	24
chrome matt, lacquered, socket, black, glossy	× <b>1979 01 58</b>	24



#### integro box with SCHUKO socket outlet

##### - on/off switch



Rated voltage	250 V~	– rear wall in polar white	▶ 202
Rated current socket outlet	16 A	– with SCHUKO socket outlet, pre-assembled with contact protection box	
Rated current switch	2 A	– with rocker switch for switching on/off a lamp	
Lead	3 x 1.5 mm <sup>2</sup>	– with insulating plug	
Light fitting cable	2 x 0.75 mm <sup>2</sup>	– pre-assembled, with 3-core lead and 2-core light fitting wire, each with conductor sleeves	
Line length	≈ 1 m		

Frames/frames with hinged cover exclusively from Berker integro programme have to be ordered separately to complete the article.

Suitable for	Order no.	Page
Frame 1gang	9 1827 25 ..	74
Frame with hinged cover	9 1828 25 ..	76

Design	Order no.	PU
polar white glossy	<b>1979 11 09</b>	24
chrome matt, lacquered, Socket outlet and switch black glossy	× <b>1979 11 58</b>	24

### Installation sets



#### integro box mounting set

Frames/frames with hinged cover exclusively from Berker integro programme have to be ordered separately to complete the article.

- rear wall in polar white
- with contact protection box with double strain relief
- with fixing screws for socket outlet insert

Suitable for	Order no.	Page
SCHUKO socket outlets		from p. 22
Socket outlets with earthing contact		from p. 37
Socket outlets with earthing pin		from p. 40
Socket outlets without earthing contact		from p. 43
Frame 1gang	9 1827 25 ..	74
Frame with hinged cover	9 1828 25 ..	76

Design	Order no.	PU
polar white glossy	<b>1979 00 09</b>	24
chrome matt, lacquered	× <b>1979 00 58</b>	24





**integro box mounting set**

▶ 202

- on/off switch



Rated voltage 250 V~  
 Rated current switch 2 A  
 Conductor cross-section (flexible), with wire end sleeve 0.5 ... 0.75 mm<sup>2</sup>

**Caution!**  
 Contact protection is only guaranteed if the wire stripping length is 10 mm.

- with rocker switch for switching on/off a lamp
- rear wall in polar white
- with contact protection box with double strain relief
- with fixing screws for socket outlet insert
- with insulating plug

Suitable for	Order no.	Page
SCHUKO socket outlets		from p. 22
Socket outlets with earthing contact		from p. 37
Socket outlets with earthing pin		from p. 40
Socket outlets without earthing contact		from p. 43
Frame 1gang	9 1827 25 ..	74
Frame with hinged cover	9 1828 25 ..	76

Frames/frames with hinged cover exclusively from Berker integro programme have to be ordered separately to complete the article.

Design	Order no.	PU
polar white glossy	<b>1979 10 09</b>	24
chrome matt, lacquered, Switch black glossy	× <b>1979 10 58</b>	24





# Berker Built-in socket outlets



Berker  
Built-in  
socket outlets



# Berker Built-in socket outlets

Laboratory furniture, mirror cabinets, tools, machines are frequently situated where a power connection is required and there is no space remaining for a regular socket outlet. This is why our special built-in socket outlets are designed to be so compact. They satisfy the requirements of a future-oriented electrical installation, and they fit even where space is at a premium. Thanks to the installation-friendly SNAP-IN fastening, they can be effortlessly implemented, even in difficult installation situations.



# 08

## Page

Built-in SCHUKO socket outlets	142
Built-in socket outlets with earthing pin	148
Built-in socket outlets without earthing contact	150

calpe



# Berker Built-in socket outlets



Built-in socket outlets	Centre plates		Supplementary features			Con- nection	special fastening		More info									
	Ø 50 mm round	50 x 50 mm	55.5 x 55.5 mm	Hinged cover 50 x 60 mm	Hinged cover 59.5 x 59.5 mm	Enhanced contact protection	Splash-protected - IP44	Imprint "IP44"	Base rotated 180°	Insert rotated 45°	Screw terminal	Plug-in terminal	via supporting ring <sup>1</sup>	via base	via supporting angle	via centre plate	Dimensional drawing Page	Product description Page

## Built-in SCHUKO socket outlets

with hinged cover				■							■						205	142
with hinged cover, imprint "IP44"				■			■	■			■						205	142
SNAP IN 0.6–1.5 mm	■	■	■ <sup>2</sup>								■						205	143
SNAP IN 1.3–2.2 mm			■			■	■	■		■	■						205	143
SNAP IN 2 mm	■				■		■	■			■						205	143
	■					■						■					206	145
	■					■						■					205	143
SNAP IN 2.5 mm	■					■					■						205	145
	■										■						205	146
SNAP IN 3 mm	■	■									■						205	146
	■											■					205	147
	■												■				206	146
SNAP IN 4 mm	■										■						205	147
Special fastening type	■	■									■		■				206	147
	■										■			■			206	147
	■											■					207	148
	■												■				207	148

## Built-in socket outlets with earthing pin

SNAP IN 0.6–1.5 mm	■	■				■					■						207	148
SNAP IN 2.5 mm	■					■					■						207	149
SNAP IN 3 mm		■				■					■						207	149
Special fastenings	■					■					■		■				207	149

## Built-in socket outlets without earthing contact

SNAP IN 3 mm		■				■					■						207	150
--------------	--	---	--	--	--	---	--	--	--	--	---	--	--	--	--	--	-----	-----

<sup>1</sup>Without spreading claws

<sup>2</sup>Minimal installation depth of 33.9 mm



socket outlets	Centre plates		Supplementary features				Con- nection	special fastening										
	Ø 50 mm round	50 x 50 mm	55.5 x 55.5 mm	Hinged cover 50 x 60 mm	Hinged cover 59.5 x 59.5 mm	Enhanced contact protection	Splash-protected - IP44	Imprint "IP44"	Base rotated 180°	Insert rotated 45°	With control LED	screw terminal	Plug-in terminal	via supporting ring	via base	via supporting angle	via centre plate	Product description <sup>3</sup> Page

SCHUKO socket outlets

SNAP IN 1.0 mm	■																	29
	■																	31
SNAP IN 1.8 mm	■																	29
	■																	29
SNAP IN 2 mm	■																	30
SNAP IN 2.8 mm	■																	29

Socket outlets with earthing contact

"SWITZERLAND", type 13	■																	39
"SWITZERLAND", type 23	■																	39
"ITALY"	■																	39
"BRITISH STANDARD"	■																	40
"DENMARK"	■																	38
"USA/CANADA" 15 A, 125 V	■																	37
"USA/CANADA" 20 A, 250 V	■																	37
"AUSTRALIA", 10 A	■																	38
"AUSTRALIA", 15 A	■																	38

Socket outlets with earthing pin

Fastening	■																	40
via centre plate	■																	41

Socket outlets without earthing contact

"NETHERLANDS"	■																	43
"EURO-AMERICAN STANDARD"	■																	44

<sup>3</sup>Scale drawings and detailed information can be found in the Technical Information on Page 210.

# Built-in socket outlets

## Built-in SCHUKO socket outlets

### Built-in SCHUKO socket outlets

#### Built-in SCHUKO socket outlets for screw fastening



**Built-in SCHUKO socket outlet with hinged cover**  
50 x 60 mm

▶ 205

- screw terminals



- for 4-hole screw fitting
- contacts made of copper alloy
- duroplast base
- thermoplastic centre plate, glossy

Rated voltage 250 V~  
Rated current 16 A  
Installation depth 31 mm

Not suitable for contact protection boxes (cavity walls).  
Connection terminals according to IEC 60884-1



Design	Order no.	PU
--------	-----------	----

<b>connection from above</b>		
polar white glossy	<b>9 4296 19</b>	10

<b>connection from below</b>		
grey glossy	<b>9 4296 03</b>	10
black glossy	<b>9 4296 06</b>	10
blue glossy	<b>9 4296 05</b>	10



**Built-in SCHUKO socket outlet with hinged cover**  
50 x 60 mm, IP44

▶ 205

- screw terminals



- for 4-hole screw fitting
- with sealing
- contacts made of copper alloy
- duroplast base
- thermoplastic centre plate, glossy
- connection from below

Rated voltage 250 V~  
Rated current 16 A  
Installation depth 31 mm

Not suitable for contact protection boxes (cavity walls).  
Connection terminals according to IEC 60884-1



Design	Order no.	PU
--------	-----------	----

blue	<b>7 4296 35</b>	10
------	------------------	----



**Built-in SCHUKO socket outlet with hinged cover**  
50 x 60 mm, imprint "IP44"

▶ 205

- screw terminals



- for 4-hole screw fitting
- with sealing
- contacts made of copper alloy
- duroplast base
- thermoplastic centre plate, glossy
- connection from below

Rated voltage 250 V~  
Rated current 16 A  
Installation depth 31 mm

Not suitable for contact protection boxes (cavity walls).  
Connection terminals according to IEC 60884-1



Design	Order no.	PU
--------	-----------	----

anthracite	<b>8 4296 34</b>	200
polar white glossy	<b>8 4296 39</b>	200
black glossy	<b>8 4296 36</b>	200
blue	<b>8 4296 15</b>	200



**Built-in SCHUKO socket outlets "SNAP IN"**



**Built-in SCHUKO socket outlet with centre plate  
Ø 50 mm, SNAP IN 0.6 - 1.5 mm**

▶ 205

- screw terminals



Rated voltage	250 V~
Rated current	16 A
Installation depth	38.9 mm
Installation wall thickness	0.6 ... 1.5 mm

- for catch fixing
- centre plate with twist protection
- contacts made of copper alloy
- duroplast base
- thermoplastic centre plate, matt

Not suitable for contact protection boxes (cavity walls).  
Connection terminals according to IEC 60884-1

Design	Order no.	PU
grey matt	<b>4189 08</b>	200
light grey matt	<b>4189 06</b>	200
white matt	<b>4189 02</b>	200
polar white matt	<b>4189 09</b>	200
black matt	<b>4189 05</b>	200



**Built-in SCHUKO socket outlet with centre plate  
50 x 50 mm, SNAP IN 0.6 - 1.5 mm**

▶ 205

- screw terminals



Rated voltage	250 V~
Rated current	16 A
Installation wall thickness	0.6 ... 1.5 mm

- for catch fixing
- centre plate with twist protection
- contacts made of copper alloy
- duroplast base
- thermoplastic centre plate, matt

Not suitable for contact protection boxes (cavity walls).  
Connection terminals according to IEC 60884-1

Design	Order no.	PU
<b>Installation depth 38.9 mm</b>		
white matt	<b>4181 02</b>	200
polar white matt	<b>4181 09</b>	200
<b>Installation depth 33.9 mm</b>		
white matt	<b>4183 02</b>	200
black matt	<b>4183 05</b>	200



**Built-in SCHUKO socket outlet 45°,  
SNAP IN 1.3 - 2.2 mm**

▶ 205

- enhanced contact protection
- screw terminals



Rated voltage	250 V~
Rated current	16 A
Installation depth	32.3 mm
Installation wall thickness	1.3 ... 2.2 mm

- for catch fixing
- for diagonal installation
- contacts made of copper alloy
- duroplast base
- thermoplastic centre plate, matt

Not suitable for contact protection boxes (cavity walls).  
Connection terminals according to IEC 60884-1  
Enhanced contact protection according to IEC 60884-1

Design	Order no.	PU
grey matt	<b>8 4130 06</b>	200



# Built-in socket outlets

## Built-in SCHUKO socket outlets



**Built-in SCHUKO socket outlet 45° with hinged cover, SNAP IN 1.3 - 2.2 mm, imprint "IP 44"**

▶ 206

- screw terminals



Rated voltage	250 V~
Rated current	16 A
Installation depth	32.5 mm
Installation wall thickness	1.3 ... 2.2 mm

Not suitable for contact protection boxes (cavity walls).  
Connection terminals according to IEC 60884-1

- for catch fixing
- insert grey, matt
- with sealing
- for diagonal installation

Design	Order no.	PU
grey glossy	<b>8 4121 97</b>	200
red glossy	<b>8 4121 86</b>	200
green glossy	<b>8 4121 90</b>	200



**Built-in SCHUKO socket outlet with centre plate Ø 50 mm, SNAP IN 2 mm**

▶ 205

- screw terminals



Rated voltage	250 V~
Rated current	16 A
Installation depth	38.9 mm
Installation wall thickness	2 mm

Not suitable for contact protection boxes (cavity walls).  
Connection terminals according to IEC 60884-1

- for catch fixing
- centre plate with twist protection
- contacts made of copper alloy
- duroplast base
- thermoplastic centre plate, matt

Design	Order no.	PU
light grey matt	<b>4188 58</b>	200
black matt	<b>8 4188 55</b>	200



**Built-in SCHUKO socket outlet with centre plate Ø 50 mm, SNAP IN 2 mm**

▶ 206

- plug-in terminals



Rated voltage	250 V~
Rated current	16 A
Installation depth	39.3 mm
Installation wall thickness	2 mm

Not suitable for contact protection boxes (cavity walls).  
Earth bracket clamping forces according to TNO requirements.  
Connection terminals according to IEC 60884-1

- for catch fixing
- centre plate with twist protection
- contacts made of copper alloy
- thermoplastic base
- thermoplastic centre plate, matt

Design	Order no.	PU
light grey matt	<b>4788 26</b>	200
polar white matt	<b>4788 29</b>	200





**Built-in SCHUKO socket outlet with centre plate**  
**Ø 50 mm, SNAP IN 2 mm**

▶ 206

- enhanced contact protection
- plug-in terminals



Rated voltage	250 V~
Rated current	16 A
Installation depth	39.3 mm
Installation wall thickness	2 mm

Not suitable for contact protection boxes (cavity walls).  
Earth bracket clamping forces according to TNO requirements.

Connection terminals according to IEC 60884-1  
Enhanced contact protection according to IEC 60884-1

- for catch fixing
- centre plate with twist protection
- contacts made of copper alloy
- thermoplastic base
- thermoplastic centre plate, matt



Design	Order no.	PU
polar white matt	<b>4788 69</b>	10



**Built-in SCHUKO socket outlet with hinged cover**  
**59.5 x 59.5 mm, SNAP IN 2 mm, imprint "IP44"**

▶ 206

- plug-in terminals



Rated voltage	250 V~
Rated current	16 A
Installation depth	33.1 mm
Installation wall thickness	2 mm

Not suitable for contact protection boxes (cavity walls).  
Earth bracket clamping forces according to TNO requirements.

Connection terminals according to IEC 60884-1

- for catch fixing
- with distance sealing ring
- hinged cover can be opened to 135°
- centre plate with twist protection
- contacts made of copper alloy
- ABS hinged cover, matt, abrasion and scratch-proof
- thermoplastic base
- polycarbonate centre plate, matt



Design	Order no.	PU
black matt	<b>8 4296 46</b>	180



**Built-in SCHUKO socket outlet with centre plate**  
**Ø 50 mm, SNAP IN 2.5 mm**

▶ 205

- screw terminals



Rated voltage	250 V~
Rated current	16 A
Installation depth	38.9 mm
Installation wall thickness	2.5 mm

Not suitable for contact protection boxes (cavity walls).  
Connection terminals according to IEC 60884-1

- for catch fixing
- centre plate with twist protection
- contacts made of copper alloy
- duroplast base
- thermoplastic centre plate, matt



Design	Order no.	PU
light grey matt	<b>4175 08</b>	200
polar white matt	<b>4175 09</b>	200

# Built-in socket outlets

## Built-in SCHUKO socket outlets



### Built-in SCHUKO socket outlet with centre plate Ø 50 mm, SNAP IN 2.5 mm

- enhanced contact protection
- screw terminals



Rated voltage	250 V~
Rated current	16 A
Installation depth	38.9 mm
Installation wall thickness	2.5 mm

Not suitable for contact protection boxes (cavity walls).  
Connection terminals according to IEC 60884-1  
Enhanced contact protection according to IEC 60884-1

- for catch fixing
- centre plate with twist protection
- contacts made of copper alloy
- duroplast base
- thermoplastic centre plate, matt



Design	Order no.	PU
polar white matt	<b>4176 09</b>	200



### Built-in SCHUKO socket outlet with centre plate Ø 50 mm, SNAP IN 3 mm

- screw terminals



Rated voltage	250 V~
Rated current	16 A
Installation depth	38.9 mm
Installation wall thickness	3 mm

Not suitable for contact protection boxes (cavity walls).  
Connection terminals according to IEC 60884-1

- for catch fixing
- centre plate with twist protection
- contacts made of copper alloy
- duroplast base
- thermoplastic centre plate, matt



Design	Order no.	PU
grey matt	<b>4188 06</b>	200
light grey matt	<b>4188 08</b>	200
white matt	<b>4188 02</b>	200
polar white matt	<b>4188 09</b>	200
black matt	<b>4188 05</b>	200



### Built-in SCHUKO socket outlet with centre plate Ø 50 mm, SNAP IN 3 mm

- plug-in terminals



Rated voltage	250 V~
Rated current	16 A
Installation depth	39.3 mm
Installation wall thickness	3 mm

Not suitable for contact protection boxes (cavity walls).  
Earth bracket clamping forces according to TNO requirements.  
Connection terminals according to IEC 60884-1

- for catch fixing
- centre plate with twist protection
- contacts made of copper alloy
- thermoplastic base
- thermoplastic centre plate, matt



Design	Order no.	PU
grey matt	<b>4788 36</b>	200
light grey matt	<b>4788 16</b>	200
polar white matt	<b>4788 19</b>	200



**Built-in SCHUKO socket outlet with centre plate 50 x 50 mm, SNAP IN 3 mm**

▶ 205

- screw terminals



Rated voltage	250 V~
Rated current	16 A
Installation depth	38.9 mm
Installation wall thickness	3 mm

Not suitable for contact protection boxes (cavity walls).  
Connection terminals according to IEC 60884-1

- for catch fixing
- centre plate with twist protection
- contacts made of copper alloy
- duroplast base
- thermoplastic centre plate, matt



Design	Order no.	PU
polar white matt	<b>4190 09</b>	200
black matt	<b>4190 05</b>	200



**Built-in SCHUKO socket outlet with centre plate Ø 50 mm, SNAP IN 4 mm**

▶ 205

- screw terminals



Rated voltage	250 V~
Rated current	16 A
Installation depth	38.9 mm
Installation wall thickness	4 mm

Not suitable for contact protection boxes (cavity walls).  
Connection terminals according to IEC 60884-1

- for catch fixing
- centre plate with twist protection
- contacts made of copper alloy
- duroplast base
- thermoplastic centre plate, matt



Design	Order no.	PU
light grey matt	<b>4177 08</b>	200

**Built-in SCHUKO socket outlets with special fastening**



**Built-in SCHUKO socket outlet with centre plate Ø 50 mm**

▶ 206

- screw terminals



Rated voltage	250 V~
Rated current	16 A
Installation depth	36.6 mm

Not suitable for contact protection boxes (cavity walls).  
Connection terminals according to IEC 60884-1

- screw fastening via bas
- centre plate with twist protection
- contacts made of copper alloy
- duroplast base
- duroplast centre plate



Design	Order no.	PU
white	<b>4180 37</b>	10



**Built-in SCHUKO socket outlet with support bracket, centre plate 50 x 50 mm**

▶ 206

- screw terminals



Rated voltage	250 V~
Rated current	16 A
Installation depth	36.6 mm

Not suitable for contact protection boxes (cavity walls).

- fastening via support bracket
- centre plate with twist protection
- contacts made of copper alloy
- duroplast base
- duroplast centre plate



Design	Order no.	PU
white	<b>4180 31</b>	10
black	<b>4180 32</b>	10

## Built-in socket outlets

### Built-in socket outlets with earthing pin



**Built-in SCHUKO socket outlet with support ring, centre plate Ø 50 mm**

▶ 207

- screw terminals



Rated voltage 250 V~  
 Rated current 16 A  
 Installation depth 31.3 mm

- screw fastening via supporting ring
- without spreader claws
- centre plate with twist protection
- contacts made of copper alloy
- duroplast base
- thermoplastic centre plate

Not suitable for contact protection boxes (cavity walls).  
 Connection terminals according to IEC 60884-1



Design	Order no.	PU
polar white matt	<b>4180 69</b>	200



**Built-in SCHUKO socket outlet with support ring, centre plate Ø 50 mm**

▶ 207

- plug-in terminals



Rated voltage 250 V~  
 Rated current 16 A  
 Installation depth 31.3 mm

- screw fastening via supporting ring
- without spreader claws
- centre plate with twist protection
- contacts made of copper alloy
- duroplast base
- thermoplastic centre plate

Not suitable for contact protection boxes (cavity walls).  
 Connection terminals according to IEC 60884-1



Design	Order no.	PU
polar white matt	<b>4880 69</b>	200

## Built-in socket outlets with earthing pin

### Built-in socket outlets with earthing pin "SNAP IN"



**Built-in socket outlet with earthing pin and centre plate, 50 mm, SNAP IN 0.6 - 1.5 mm**

▶ 207

- enhanced contact protection  
 - screw terminals



Rated voltage 250 V~  
 Rated current 16 A  
 Installation depth 35.8 mm  
 Installation wall thickness 0.6 ... 1.5 mm

- for catch fixing
- centre plate with twist protection
- 2pole + earth
- contacts made of copper alloy
- duroplast base
- thermoplastic centre plate, matt

Not suitable for contact protection boxes (cavity walls).  
 Enhanced contact protection according to IEC 60884-1



Design	Order no.	PU
black matt	<b>6741 94 05</b>	200
polar white matt	<b>6741 94 09</b>	200


**Built-in socket outlet with earthing pin and centre plate, 50 x 50 mm, SNAP IN 0.6 - 1.5 mm**

▶ 207

- enhanced contact protection
- screw terminals



Rated voltage	250 V~
Rated current	16 A
Installation depth	33.8 mm
Installation wall thickness	0.6 ... 1.5 mm

Not suitable for contact protection boxes (cavity walls).  
 Enhanced contact protection according to IEC 60884-1

- for catch fixing
- centre plate with twist protection
- 2pole + earth
- contacts made of copper alloy
- duroplast base
- thermoplastic centre plate, matt



Design	Order no.	PU
black matt	<b>6741 91 05</b>	200


**Built-in socket outlet with earthing pin and centre plate, 50 mm, SNAP IN 2.5 mm**

▶ 207

- enhanced contact protection
- screw terminals



Rated voltage	250 V~
Rated current	16 A
Installation depth	35.8 mm
Installation wall thickness	2.5 mm

Not suitable for contact protection boxes (cavity walls).  
 Enhanced contact protection according to IEC 60884-1

- for catch fixing
- centre plate with twist protection
- 2pole + earth
- contacts made of copper alloy
- duroplast base
- thermoplastic centre plate, matt



Design	Order no.	PU
polar white matt	<b>6741 28 09</b>	200


**Built-in socket outlet with earthing pin and centre plate, 50 x 50 mm, SNAP IN 3 mm**

▶ 207

- enhanced contact protection
- screw terminals



Rated voltage	250 V~
Rated current	16 A
Installation depth	33.8 mm
Installation wall thickness	3 mm

Not suitable for contact protection boxes (cavity walls).  
 Enhanced contact protection according to IEC 60884-1

- for catch fixing
- centre plate with twist protection
- 2pole + earth
- contacts made of copper alloy
- duroplast base
- thermoplastic centre plate, matt



Design	Order no.	PU
polar white matt	<b>6741 92 09</b>	200

**Built-in socket outlets with earthing pin and special fastening**

**Built-in socket outlet with earthing pin and supporting ring, centre plate Ø 50 mm**

▶ 207

- enhanced contact protection
- screw-in lift terminals



Rated voltage	250 V~
Rated current	16 A
Installation depth	31.3 mm

Enhanced contact protection according to IEC 60884-1

- screw fastening via supporting ring
- centre plate with twist protection
- 2pole + earth
- contacts made of copper alloy
- duroplast base
- duroplast centre plate, glossy



Design	Order no.	PU
polar white glossy	<b>6763 79 10</b>	100

# Built-in socket outlets

## Built-in socket outlets without earthing contact

### Built-in socket outlets without earthing contact

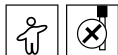
#### Built-in sockets without earthing contact "SNAP-IN"



**Built-in socket outlet without earthing contact, with centre plate 50 x 50 mm, SNAP IN 3 mm**

▶ 207

- enhanced contact protection
- screw terminals



- for catch fixing
- centre plate with twist protection
- 2pole + earth
- contacts made of copper alloy
- duroplast base
- thermoplastic centre plate, matt

Rated voltage	250 V~
Rated current	16 A
Installation depth	33.8 mm
Installation wall thickness	3 mm

Not suitable for contact protection boxes (cavity walls).  
Enhanced contact protection according to IEC 60884-1



Design	Order no.	PU
grey matt	<b>6141 93 08</b>	200

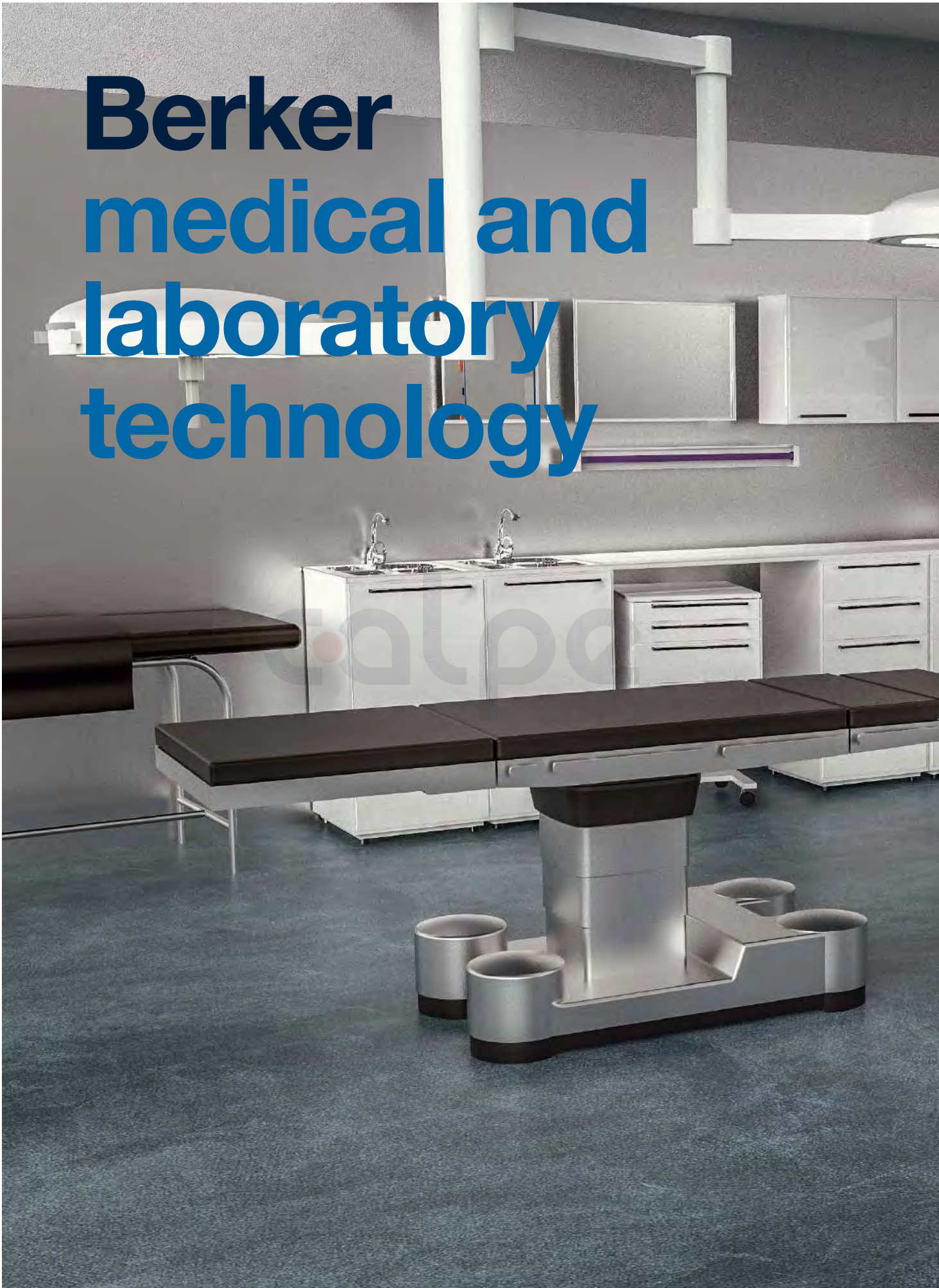




calpe



# Berker medical and laboratory technology





Berker Medical  
and Laboratory  
Technology

# Berker medical and laboratory technology

The highest level of quality is vital in ensuring the ultimate safety of individuals. Many different application areas are covered, from hospital equipment for ceiling-mounted supply units in operating theatres and bedhead units in the care sector, to laboratory fittings and furnishings. Our Berker integro portfolio and 45 x 45 socket outlets can deliver this exceptional standard of quality for the medical sector.



## 09

## Page

SCHUKO socket outlets – 45 x 45	158
International socket outlet systems – 45 x 45	159
Accessories – 45 x 45	161
Switch/push-button – 45 x 45	161
USB charging sockets – 45 x 45	162
Multimedia – 45 x 45	163
Data communication – 45 x 45	165
SCHUKO socket outlets for special applications – Berker integro	166
Socket outlets with earthing pin for spec. applications – Berker integro	174
Frames for special applications – Berker integro	176



# Product examples Berker medical and laboratory technology





## Frames / Covers / Central inserts

### Plastic, glossy

Grey	similar to RAL 7038
Polar white	similar to RAL 9010
Black	similar to RAL 9005
Red	similar to RAL 3003
Green	similar to RAL 6032
Orange	similar to RAL 2008

calpe

**SCHUKO socket outlets - 45 x 45**

**Built-in SCHUKO socket outlets "SNAP IN"**



**Built-in SCHUKO socket outlet, SNAP IN 4.6 mm**

- enhanced contact protection
- plug-in terminals

- for catch fixing
- suitable for flush-mounted installation



Rated voltage	250 V~
Rated current	16 A
Installation depth	45 mm
Installation wall thickness	4.6 mm
Dimensions (W x H x D)	45 x 45 x 40 mm

Design	Order no.	PU
white	<b>WS160</b>	10
black	<b>WS160N</b>	10
green	<b>WS160V</b>	10
orange	<b>WS160E</b>	10



▶ 203



**Built-in SCHUKO socket outlet, SNAP IN 4.6 mm**

- screw terminals

- for catch fixing
- suitable for flush-mounted installation



Rated voltage	250 V~
Rated current	16 A
Installation depth	45 mm
Installation wall thickness	4.6 mm
Dimensions (W x H x D)	45 x 45 x 40 mm

Design	Order no.	PU
red	<b>WS162</b>	10



▶ 203



**Built-in double socket outlet SCHUKO 45°, SNAP IN 4.6 mm**

- enhanced contact protection
- plug-in terminals

- for diagonal installation
- for catch fixing
- suitable for flush-mounted installation



Rated voltage	250 V~
Rated current	16 A
Installation depth	45 mm
Installation wall thickness	4.6 mm
Dimensions (W x H x D)	90 x 45 x 42.5 mm

Suitable for Optional Connecting plug	Order no.	Page
	WS120	161

Design	Order no.	PU
white	<b>WS172</b>	10
black	<b>WS172N</b>	10
green	<b>WS172V</b>	10
orange	<b>WS172E</b>	10
red	<b>WS185</b>	10



▶ 203





**Built-in 3gang SCHUKO socket outlet 45°, SNAP IN 4.6 mm**

▶ 204

- enhanced contact protection
- plug-in terminals



Rated voltage	250 V~
Rated current	16 A
Installation depth	45 mm
Installation wall thickness	4.6 mm
Dimensions (W x H x D)	135 x 45 x 42.5 mm

- for diagonal installation
- for catch fixing
- suitable for flush-mounted installation

Suitable for Optional	Order no.	Page
Connecting plug	WS120	161

Design	Order no.	PU
white	<b>WS173</b>	10
black	<b>WS173N</b>	10
red	<b>WS186</b>	10
green	<b>WS173V</b>	10
orange	<b>WS173E</b>	10



## International socket outlet systems - 45 x 45

### Built-in socket outlets with earthing pin "SNAP IN"



**Built-in socket outlet with earthing pin, SNAP IN 4.6 mm**

▶ 203

- enhanced contact protection
- plug-in terminals



Rated voltage	250 V~
Rated current	16 A
Installation depth	40 mm
Installation wall thickness	4.6 mm
Dimensions (W x H x D)	45 x 45 x 37 mm

- 2pole + earth
- for catch fixing
- suitable for flush-mounted installation

Design	Order no.	PU
white	<b>WS100</b>	10
black	<b>WS100N</b>	10
green	<b>WS100V</b>	10
orange	<b>WS100E</b>	10



**Built-in socket outlet with earthing pin 45°, SNAP IN 4.6 mm**

▶ 203

- enhanced contact protection
- plug-in terminals



Rated voltage	250 V~
Rated current	16 A
Installation wall thickness	4.6 mm
Installation depth	45 mm
Dimensions (W x H x D)	67.5 x 45 x 43.5 mm

- 2pole + earth
- width: 3 module units
- for catch fixing
- suitable for flush-mounted installation
- for diagonal installation

Suitable for Optional	Order no.	Page
Connecting plug	WS120	161

Design	Order no.	PU
white	<b>WS121</b>	20
black	<b>WS121N</b>	20
green	<b>WS121V</b>	20
orange	<b>WS121E</b>	20





**Built-in double socket outlet with earthing pin 45°,  
SNAP IN 4.6 mm**

▶ 203

- enhanced contact protection
- plug-in terminals



- 2pole + earth
- for catch fixing
- suitable for flush-mounted installation

Rated voltage	250 V~
Rated current	16 A
Installation depth	45 mm
Installation wall thickness	4.6 mm
Dimensions (W x H x D)	90 x 45 x 42.5 mm

Suitable for	Order no.	Page
Optional		
Connecting plug	WS120	161

Design	Order no.	PU
white	<b>WS122</b>	10
black	<b>WS122N</b>	10
green	<b>WS122V</b>	10
orange	<b>WS122E</b>	10



**Built-in 3gang socket outlet with earthing pin 45°,  
SNAP IN 4.6 mm**

▶ 204

- enhanced contact protection
- plug-in terminals



- for diagonal installation
- 2pole + earth
- for catch fixing
- suitable for flush-mounted installation

Rated voltage	250 V~
Rated current	16 A
Installation depth	45 mm
Installation wall thickness	4.6 mm
Dimensions (W x H x D)	135 x 45 x 42.5 mm

Suitable for	Order no.	Page
Optional		
Connecting plug	WS120	161

Design	Order no.	PU
white	<b>WS123</b>	10
black	<b>WS123N</b>	10
red	<b>WS123R</b>	10
green	<b>WS123V</b>	10
orange	<b>WS123E</b>	10



**Built-in socket outlets with earthing pin "Detrompage" "SNAP IN"**



**Built-in socket outlet with earthing pin  
"Detrompage", SNAP IN 4.6 mm**

▶ 203

- enhanced contact protection
- screw terminals



- confusion-safe
- 2pole + earth
- for catch fixing
- suitable for flush-mounted installation

Rated voltage	250 V~
Rated current	16 A
Installation depth	40 mm
Installation wall thickness	4.6 mm
Dimensions (W x H x D)	45 x 45 x 37 mm

Suitable for	Order no.	Page
Optional		
Connecting attachment "Detrompage" for socket outlet with earthing pin	WS697	161

Design	Order no.	PU
red	<b>WS106</b>	10



# Berker medical and laboratory technology

## Accessories - 45 x 45 / Switch/push-button - 45 x 45



### Built-in socket outlet with earthing pin "Detrompage", SNAP IN 4.6 mm

▶ 203

- enhanced contact protection
- plug-in terminals



Rated voltage	250 V~
Rated current	16 A
Installation depth	40 mm
Installation wall thickness	4.6 mm
Dimensions (W x H x D)	45 x 45 x 37 mm

- confusion-safe
- 2pole + earth
- for catch fixing
- suitable for flush-mounted installation

<b>Suitable for</b>	<b>Order no.</b>	<b>Page</b>
Connecting attachment "Detrompage" for socket outlet with earthing pin	WS697	161



Design	Order no.	PU
red	<b>WS105</b>	10

## Accessories - 45 x 45



### Connecting plug

▶ 204

Rated voltage	250 V~
Rated current	16 A
Dimensions (W x H x D)	40 x 30 x 25 mm

- 3pole terminal block on both sides

<b>Suitable for</b>	<b>Order no.</b>	<b>Page</b>
Built-in socket outlet with earthing pin 45°, SNAP IN 4.6 mm	WS121 ..	159
Built-in double socket outlet with earthing pin 45°, SNAP IN 4.6 mm	WS122 ..	160
Built-in 3gang socket outlet with earthing pin 45°, SNAP IN 4.6 mm	WS123 ..	160
Built-in double socket outlet SCHUKO 45°, SNAP IN 4.6 mm	WS17 ..	158
Built-in double socket outlet SCHUKO 45°, SNAP IN 4.6 mm	WS18 ..	158

Design	Order no.	PU
light grey	<b>WS120</b>	10



### Connecting attachment "Detrompage" for socket outlet with earthing pin

To mount on plug with earthing pin  
"DETROMPAGE": Confusion-safe connection for emergency power devices!

- adapter with release pin

<b>Suitable for</b>	<b>Order no.</b>	<b>Page</b>
Built-in socket outlet with earthing pin "Detrompage", SNAP IN 4.6 mm	WS10 ..	161

Design	Order no.	PU
red	<b>WS697</b>	10



### Blank module

Dimensions (W x H x D)	22.5 x 45 x 37 mm
------------------------	-------------------

Design	Order no.	PU
white, 1gang	<b>WS688</b>	10
white, 2gang	<b>WS689</b>	10

## Switch/push-button - 45 x 45

### Rocker switches "SNAP IN"



### Built in change-over switch, SNAP IN 4.6 mm

▶ 203

Rated voltage	250 V~
Switching current	10 AX
Installation depth	40 mm
Installation wall thickness	4.6 mm
Dimensions (W x H x D)	45 x 45 x 37 mm

- change-over
- for catch fixing
- suitable for flush-mounted installation
- with plug-in terminals



Design	Order no.	PU
white	<b>WS001</b>	10



### Built in control change-over switch, SNAP IN 4.6 mm


Rated voltage	250 V~	– with control LED as function light
Switching current	10 AX	– change-over
Installation wall thickness	4.6 mm	– for catch fixing
Dimensions (W x H x D)	45 x 45 x 33 mm	– suitable for flush-mounted installation
		– with plug-in terminals



Design	Order no.	PU
white	<b>WS002</b>	10



### Built in change-over switch, SNAP IN 4.6 mm

<b>- labelling field</b>		– change-over
		– for catch fixing
		– suitable for flush-mounted installation
		– with plug-in terminals
Rated voltage	250 V~	
Switching current	10 AX	
Installation wall thickness	4.6 mm	
Dimensions (W x H x D)	45 x 45 x 33 mm	

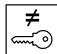


Design	Order no.	PU
white	<b>WS006</b>	1

## EMERGENCY OFF switch



### EMERGENCY OFF switch, SNAP IN 4.6 mm

<b>- lock - differing closures</b>		– for catch fixing
		– unlocking by 1/4 rotation
		– with 2 keys
		– with screw terminals
Rated voltage	250 V~	
Switching current	10 A	
Installation wall thickness	4.6 mm	
Dimensions (W x H x D)	45 x 45 x 104 mm	

DIN EN 60669-1


Design	Order no.	PU
white	<b>WS032</b>	1

## USB charging sockets - 45 x 45

### USB charging sockets "SNAP IN"



### USB charging socket, SNAP IN 4.6 mm

<b>- labelling field</b>		– for charging mobile end devices via USB cable
		– with 2 USB sockets type A
		– for catch fixing
		– with plug-in terminals
Input voltage	110 ... 230 V~	
Frequency	50/60 Hz	
Output voltage	5 V= (± 5 %)	
Output current when operating both sockets (total)	max. 1.2 A	
Installation wall thickness	4.6 mm	

No data transmission possible!



Design	Order no.	PU
white	<b>WS110</b>	1

**Multimedia - 45 x 45**

**Audio socket outlets "SNAP IN"**



**Cinch socket outlet, SNAP IN 4.6 mm**

Installation wall thickness 4.6 mm – 2 cinch jacks for audio connection (red, white)  
Dimensions (W x H x D) 45 x 45 x 40 mm – for catch fixing  
– with screw terminals

▶ 197



Design	Order no.	PU
Cinch socket outlet, SNAP IN 4.6 mm	<b>WS260</b>	1



**3.5 mm audio socket outlet, SNAP IN 4.6 mm**

- labelling field  
– with 3.5 mm jack  
– for catch fixing  
– with screw terminals

Installation wall thickness 4.6 mm  
Dimensions (W x H x D) 45 x 45 x 34 mm



Design	Order no.	PU
white	<b>WS278</b>	1



**XLR socket outlet, female, SNAP IN 4.6 mm**

Installation wall thickness 4.6 mm – with XLR jack (female)  
Dimensions (W x H x D) 45 x 45 x 35 mm – for catch fixing  
– with screw terminals



Design	Order no.	PU
white	<b>WS266</b>	1



**XLR socket outlet, male, SNAP IN 4.6 mm**

Installation wall thickness 4.6 mm – with XLR jack (male)  
Dimensions (W x H x D) 45 x 45 x 32 mm – for catch fixing  
– with screw terminals



Design	Order no.	PU
white	<b>WS267</b>	1

**Video socket outlets "SNAP IN"**



**VGA socket outlet, SNAP IN 4.6 mm**

Installation wall thickness 4.6 mm – with 15pole D-subminiature jack (front)  
Dimensions (W x H x D) 45 x 45 x 37 mm – for catch fixing  
– with screw terminals

Observe the instructions of the cable and device manufacturers for maximum cable length!

▶ 197



Design	Order no.	PU
white	<b>WS276</b>	1



**DVI socket outlet, SNAP IN 4.6 mm**

Installation wall thickness 4.6 mm – with DVI-D jack  
Dimensions (W x H x D) 45 x 45 x 37.5 mm – for catch fixing  
– with screw terminals

Observe the instructions of the cable and device manufacturers for maximum cable length!



Design	Order no.	PU
white	<b>WS274</b>	1



**Component S-Video socket outlet, SNAP IN 4.6 mm**

Installation wall thickness 4.6 mm – with 3 cinch jacks (Y, Pb, Pr)  
Dimensions (W x H x D) 45 x 45 x 40 mm – for catch fixing  
– with screw terminals



Design	Order no.	PU
white	<b>WS262</b>	1

**Multimedia socket outlets "SNAP IN"**



**High Definition socket outlet, SNAP IN 4.6 mm**

Resolution max. 1920 x 1080 px – with HDMI™ jack type A  
Installation wall thickness 4.6 mm – 19pole  
Dimensions (W x H x D) 45 x 45 x 34 mm – for catch fixing  
– with screw terminals

Observe the instructions of the cable and device manufacturers for maximum cable length!



Design	Order no.	PU
white	<b>WS264</b>	1



**High Definition socket outlet, SNAP IN 4.6 mm**

- labelling field



Resolution max. 1920 x 1080 px  
Installation wall thickness 4.6 mm  
Dimensions (W x H x D) 45 x 45 x 27.5 mm

Observe the instructions of the cable and device manufacturers for maximum cable length!

– with HDMI™ double jack type A  
– 19pole  
– for catch fixing



Design	Order no.	PU
white	<b>WS263</b>	1



**Cinch/S-Video socket outlet, SNAP IN 4.6 mm**

▶ 197

Installation wall thickness 4.6 mm – 2 cinch jacks for audio connection (red, white)  
 Dimensions (W x H x D) 45 x 45 x 39 mm – with S-Video jack  
 – for catch fixing  
 – with screw terminals



Design	Order no.	PU
white	<b>WS279</b>	1



**Cinch socket outlet 3gang, SNAP IN 4.6 mm**

Installation wall thickness 4.6 mm – 1 cinch jack for video connection (yellow)  
 Dimensions (W x H x D) 45 x 45 x 40 mm – 2 cinch jacks for audio connection (red, white)  
 – for catch fixing  
 – with screw terminals



Design	Order no.	PU
white	<b>WS261</b>	1



**USB socket outlet, SNAP IN 4.6 mm**

Rated voltage 5 V= – for charging mobile end devices via USB cable  
 Conductor Ø (power) AWG 26-24 – with USB socket type A, USB 2.0 compatible  
 Conductor Ø (data) AWG 28-26 – for catch fixing  
 Line length max. 5 m – with screw terminals  
 Installation wall thickness 4.6 mm  
 Dimensions (W x H x D) 45 x 45 x 33.5 mm



Design	Order no.	PU
white	<b>WS265</b>	1

**Data communication - 45 x 45**

**FCC socket outlets "SNAP IN"**



**FCC socket outlet 8pole shielded, cat.6, SNAP IN 4.6 mm**

▶ 204

- labelling field



Rated voltage 72 V= – width: 1 module unit  
 Rated current 0.5 A – with dust protection cover  
 Transmission bandwidth max. 250 MHz – for RJ11, RJ12 and RJ45 plugs  
 Signal contact resistance 20 mΩ – suitable for PoE+  
 Shield contact resistance 100 mΩ – with screen contacting 360° and strain relief  
 Conductor Ø 0.4 ... 0.65 mm – for catch fixing  
 Installation depth 40 mm – suitable for flush-mounted installation  
 Installation wall thickness 4.6 mm – with cutting terminals  
 Dimensions (W x H x D) 22.5 x 45 x 37 mm

Design according to DIN IEC 60603-7-51  
 Cat.6 according to DIN EN 50173-1 and ISO/IEC 11801, 2nd edition  
 Protective screen according to DIN EN 55022, Class B  
 Colour code A and B according to TIA/EIA-568-B.2



Design	Order no.	PU
white	<b>WS225</b>	10



**FCC socket outlet 8pole shielded, cat.6, SNAP IN 4.6 mm**

▶ 204

- labelling field



Rated voltage	72 V=
Rated current	0.5 A
Transmission bandwidth	max. 250 MHz
Signal contact resistance	20 mΩ
Shield contact resistance	100 mΩ
Conductor Ø	0.4 ... 0.65 mm
Installation depth	40 mm
Installation wall thickness	4.6 mm
Dimensions (W x H x D)	45 x 45 x 37 mm

- width: 2 module units
- with dust protection cover
- for RJ11, RJ12 and RJ45 plugs
- suitable for PoE+
- with screen contacting 360° and strain relief
- for catch fixing
- suitable for flush-mounted installation
- with cutting terminals

Design to according to DIN IEC 60603-7-51  
Cat.6 according to DIN EN 50173-1 and ISO/IEC 11801, 2nd edition  
Protective screen according to DIN EN 55022, Class B  
Colour code A and B according to TIA/EIA-568-B.2



Design	Order no.	PU
white	<b>WS226</b>	1

**SCHUKO socket outlets for special applications - Berker integro**

**SCHUKO socket outlets with insulation-piercing terminals**

- for 4-hole screw fitting
- new insulation displacement contact technology: quick and easy connection with the joining tool, order no. 8 1726 25 81
- VDE approval
- up to 2 flexible conductors with a cross section of 2.5 mm<sup>2</sup> can be connected for each insulation displacement contact; wires do not have to be stripped in advance.
- enables multiple socket outlets to be looped through without breaking the conductors.
- IPT contacts made from copper alloy, tin-plated
- thermoplastic centre plates and bases
- base with snap-on safety cap



**SCHUKO socket outlet**

▶ 198

- insulation-piercing terminals



Rated voltage	250 V~
Rated current	16 A
Conductor cross-section (flexible)	2.5 mm <sup>2</sup>

<b>Suitable for</b>	<b>Order no.</b>	<b>Page</b>
<b>Optional</b>		
Sealing IP44 for socket outlets with insulation-piercing terminals		from p. 178
Frame with hinged cover and imprint "IP44"		from p. 178

Earth bracket clamping forces according to TNO requirements.

Not suitable for contact protection boxes (cavity walls).

Connection terminals according to IEC 60884-1



Design	Order no.	PU
red matt	<b>8 4800 25 07</b>	200
green matt	<b>8 4800 25 03</b>	200
orange matt	<b>8 4800 25 04</b>	200





**SCHUKO socket outlet**

- enhanced contact protection
- insulation-piercing terminals



Rated voltage	250 V~
Rated current	16 A
Conductor cross-section (flexible)	2.5 mm <sup>2</sup>

Earth bracket clamping forces according to TNO requirements.

Not suitable for contact protection boxes (cavity walls).

Connection terminals according to IEC 60884-1

Enhanced contact protection according to IEC 60884-1

**Suitable for  
Optional**

Sealing IP44 for socket outlets with insulation-piercing terminals  
Frame with hinged cover and imprint "IP44"

**Order no.**

▶ 198

from p.  
178  
from p.  
178

Design	Order no.	PU
red matt	<b>8 4801 25 07</b>	200
green matt	<b>8 4801 25 03</b>	200
orange matt	<b>8 4801 25 04</b>	200



**SCHUKO socket outlet with control LED**

- insulation-piercing terminals



Rated voltage	250 V~
Rated current	16 A
LED current	1 mA
Conductor cross-section (flexible)	2.5 mm <sup>2</sup>

Earth bracket clamping forces according to TNO requirements.

Not suitable for contact protection boxes (cavity walls).

Connection terminals according to IEC 60884-1

- with green control LED as function light

**Suitable for  
Optional**

Frame with hinged cover and imprint "IP44"

Sealing IP44 for socket outlets with insulation displacement contacts 9 1853 01

**Order no.**

▶ 198

from p.  
178  
79

Design	Order no.	PU
red matt	<b>8 4800 25 17</b>	200
green matt	<b>8 4800 25 13</b>	200
orange matt	<b>8 4800 25 14</b>	200



**SCHUKO socket outlet with control LED**

- enhanced contact protection
- insulation-piercing terminals



Rated voltage	250 V~
Rated current	16 A
LED current	1 mA
Conductor cross-section (flexible)	2.5 mm <sup>2</sup>

Earth bracket clamping forces according to TNO requirements.

Not suitable for contact protection boxes (cavity walls).

Connection terminals according to IEC 60884-1

Enhanced contact protection according to IEC 60884-1

- with green control LED as function light

**Suitable for  
Optional**

Frame with hinged cover and imprint "IP44"

Sealing IP44 for socket outlets with insulation displacement contacts 9 1853 01



**Order no.**

▶ 198




from p.  
178  
79

Design	Order no.	PU
red matt	<b>8 4801 25 17</b>	200
green matt	<b>8 4801 25 13</b>	200
orange matt	<b>8 4801 25 14</b>	200





	<b>SCHUKO socket outlet 45°</b>		▶ 198
	<b>- insulation-piercing terminals</b>		
			
Rated voltage	250 V~		
Rated current	16 A		
Conductor cross-section (flexible)	2.5 mm <sup>2</sup>		
Earth bracket clamping forces according to TNO requirements.			
Not suitable for contact protection boxes (cavity walls).			
Connection terminals according to IEC 60884-1			
Design	Order no.		PU
red matt	<b>8 4850 25 07</b>		200
green matt	<b>8 4850 25 03</b>		200
orange matt	<b>8 4850 25 04</b>		200



	<b>SCHUKO socket outlet 45°</b>		▶ 198
	<b>- enhanced contact protection</b>		
<b>- insulation-piercing terminals</b>			
 			
Rated voltage	250 V~		
Rated current	16 A		
Conductor cross-section (flexible)	2.5 mm <sup>2</sup>		
Earth bracket clamping forces according to TNO requirements.			
Not suitable for contact protection boxes (cavity walls).			
Connection terminals according to IEC 60884-1			
Enhanced contact protection according to IEC 60884-1			
Design	Order no.		PU
red matt	<b>8 4851 25 07</b>		200
green matt	<b>8 4851 25 03</b>		200
orange matt	<b>8 4851 25 04</b>		200



	<b>SCHUKO socket outlet 45° with control LED</b>		▶ 198
	<b>- insulation-piercing terminals</b>		
			
Rated voltage	250 V~		
Rated current	16 A		
LED current	1 mA		
Conductor cross-section (flexible)	2.5 mm <sup>2</sup>		
Earth bracket clamping forces according to TNO requirements.			
Not suitable for contact protection boxes (cavity walls).			
Connection terminals according to IEC 60884-1			
Design	Order no.		PU
red matt	<b>8 4850 25 17</b>		200
green matt	<b>8 4850 25 13</b>		200
orange matt	<b>8 4850 25 14</b>		200



– for diagonal installation

**Suitable for**  
**Optional**  
Sealing IP44 for socket outlets with insulation-piercing terminals  
Frame with hinged cover and imprint "IP44"

– for diagonal installation

**Suitable for**  
**Optional**  
Sealing IP44 for socket outlets with insulation-piercing terminals  
Frame with hinged cover and imprint "IP44"

– with green control LED as function light  
– for diagonal installation

**Suitable for**  
**Optional**  
Frame with hinged cover and imprint "IP44"  
Sealing IP44 for socket outlets with insulation displacement contacts

**SCHUKO socket outlet 45° with control LED** ▶ 198



- enhanced contact protection
- insulation-piercing terminals

- with green control LED as function light
- for diagonal installation



Rated voltage	250 V~
Rated current	16 A
LED current	1 mA
Conductor cross-section (flexible)	2.5 mm <sup>2</sup>

Suitable for	Order no.	Page
Optional		
Frame with hinged cover and imprint "IP44"		from p. 178
Sealing IP44 for socket outlets with insulation displacement contacts	9 1853 01	79

Earth bracket clamping forces according to TNO requirements.

Not suitable for contact protection boxes (cavity walls).

Connection terminals according to IEC 60884-1

Enhanced contact protection according to IEC 60884-1

Design	Order no.	PU
red matt	<b>8 4851 25 17</b>	200
green matt	<b>8 4851 25 13</b>	200
orange matt	<b>8 4851 25 14</b>	200



**Joining tool for Berker integro socket outlets with IPT technology** ▶ 198

Design	Order no.	PU
blue matt	<b>8 1726 25 81</b>	200
blue matt	<b>9 1726 25 81</b>	10

**SCHUKO socket outlets with SNAP IN and plug-in terminals**

- for catch fixing
- thermoplastic centre plates and bases
- contacts made of copper alloy

**SCHUKO socket outlet 45° with control LED, SNAP IN** ▶ 196



- enhanced contact protection
- plug-in terminals

- with green control LED as function light
- with distance sealing ring
- for diagonal installation



Operating voltage	250 V~
Rated current	16 A
LED current	1 mA
Installation wall thickness	2 mm

Suitable for	Order no.	Page
Optional		
Frame with lens		from p. 176

Earth bracket clamping forces according to TNO requirements.

Not suitable for contact protection boxes (cavity walls).

Standard NEN 1010

Connection terminals according to IEC 60884-1


Enhanced contact protection according to IEC 60884-1

Design	Order no.	PU
<b>for installation wall thickness 2 mm (± 0.2 mm)</b>		
red matt	<b>9 4713 25 76</b>	200
green matt	<b>9 4713 25 03</b>	200
orange matt	<b>9 4713 25 04</b>	200



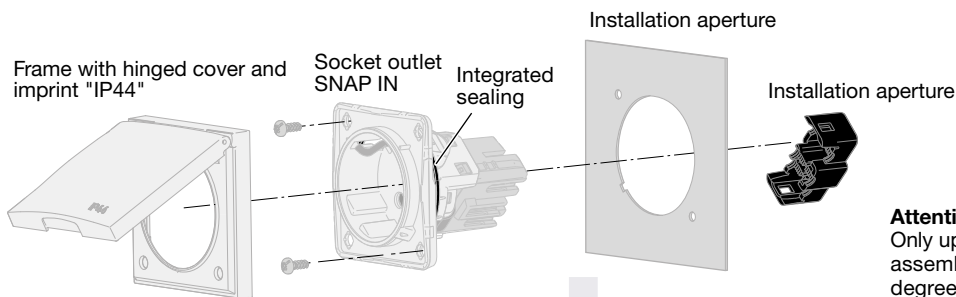
**SCHUKO socket outlets with "SNAP IN" and insulation-piercing terminals**

- for catch fixing
- new insulation displacement contact technology: quick and easy connection with the joining tool, order no. 8 1726 25 81
- VDE approval
- up to 2 flexible conductors with a cross section of 2.5 mm<sup>2</sup> can be connected for each insulation displacement contact; wires do not have to be stripped in advance.
- enables multiple socket outlets to be looped through without breaking the conductors.
- IPT contacts made from copper alloy, tin-plated
- thermoplastic centre plates and bases
- base with snap-on safety cap

 Marked items are only suitable for splash-protected IP44 installation when used in conjunction with corresponding frame with hinged cover and imprint "IP44".

**Assembly instructions for IP44 socket outlets with insulation-piercing terminals**

Not suitable for contact protection boxes!



**Attention!**  
Only upon compliance with the assembly instructions the degree of protection IP 44 is guaranteed.



**SCHUKO socket outlet, SNAP IN**

- insulation-piercing terminals



Rated voltage 250 V~  
Rated current 16 A  
Conductor cross-section (flexible) 2.5 mm<sup>2</sup>  
Earth bracket clamping forces according to TNO requirements.  
Not suitable for contact protection boxes (cavity walls).  
Connection terminals according to IEC 60884-1

- with distance sealing ring

**Suitable for Optional**  
Frame with hinged cover and imprint "IP44"

Order no.

198

Page

from p. 178

Design	Order no.	PU
<b>for installation wall thickness 1 mm (± 0.1 mm)</b>		
red matt	8 4810 25 07	200
green matt	8 4810 25 03	200
orange matt	8 4810 25 04	200
<b>for installation wall thickness 2 mm (+0.1/-0.3 mm)</b>		
red matt	8 4820 25 07	200
green matt	8 4820 25 03	200
orange matt	8 4820 25 04	200
<b>for installation wall thickness 3 mm (+0.1/-0.3 mm)</b>		
red matt	8 4830 25 07	200
green matt	8 4830 25 03	200
orange matt	8 4830 25 04	200





**SCHUKO socket outlet, SNAP IN**

- enhanced contact protection
- insulation-piercing terminals



Rated voltage 250 V~  
Rated current 16 A  
Conductor cross-section (flexible) 2.5 mm<sup>2</sup>

Earth bracket clamping forces according to TNO requirements.

Not suitable for contact protection boxes (cavity walls).

Connection terminals according to IEC 60884-1

Enhanced contact protection according to IEC 60884-1

- with distance sealing ring

Suitable for

Optional

Frame with hinged cover and imprint "IP44"

Order no.

▶ 198

Page

from p. 178

Design Order no. PU

**for installation wall thickness 1 mm (± 0.1 mm)**

red matt	8 4811 25 07	200
green matt	8 4811 25 03	200
orange matt	8 4811 25 04	200

**for installation wall thickness 2 mm (+0.1/-0.3 mm)**

red matt	8 4821 25 07	200
green matt	8 4821 25 03	200
orange matt	8 4821 25 04	200

**for installation wall thickness 3 mm (+0.1/-0.3 mm)**

red matt	8 4831 25 07	200
green matt	8 4831 25 03	200
orange matt	8 4831 25 04	200



**SCHUKO socket outlet with control LED, SNAP IN**

- insulation-piercing terminals



Rated voltage 250 V~  
Rated current 16 A  
LED current 1 mA  
Conductor cross-section (flexible) 2.5 mm<sup>2</sup>

Earth bracket clamping forces according to TNO requirements.

Not suitable for contact protection boxes (cavity walls).

Connection terminals according to IEC 60884-1

- with green control LED as function light
- with distance sealing ring

Suitable for  
Frame with lens

Order no.

Page

from p. 176

Design Order no. PU

**for installation wall thickness 1 mm (± 0.1 mm)**

red matt	8 4810 25 17	200
green matt	8 4810 25 13	200
orange matt	8 4810 25 14	200

**for installation wall thickness 2 mm (+0.1/-0.3 mm)**

red matt	8 4820 25 17	200
green matt	8 4820 25 13	200
orange matt	8 4820 25 14	200

**for installation wall thickness 3 mm (+0.1/-0.3 mm)**

red matt	8 4830 25 17	200
green matt	8 4830 25 13	200
orange matt	8 4830 25 14	200





**SCHUKO socket outlet with control LED, SNAP IN**

▶ 198

- enhanced contact protection
- insulation-piercing terminals

- with green control LED as function light
- with distance sealing ring



Suitable for  
Frame with lens

Order no.

Page  
from p.  
176

Rated voltage	250 V~
Rated current	16 A
LED current	1 mA
Conductor cross-section (flexible)	2.5 mm <sup>2</sup>

Earth bracket clamping forces according to TNO requirements.

Not suitable for contact protection boxes (cavity walls).

Connection terminals according to IEC 60884-1

Enhanced contact protection according to IEC 60884-1

Design	Order no.	PU
<b>for installation wall thickness 1 mm (± 0.1 mm)</b>		
red matt	8 4811 25 17	200
green matt	8 4811 25 13	200
orange matt	8 4811 25 14	200
<b>for installation wall thickness 2 mm (+0.1/-0.3 mm)</b>		
red matt	8 4821 25 17	200
green matt	8 4821 25 13	200
orange matt	8 4821 25 14	200
<b>for installation wall thickness 3 mm (+0.1/-0.3 mm)</b>		
red matt	8 4831 25 17	200
green matt	8 4831 25 13	200
orange matt	8 4831 25 14	200



**SCHUKO socket outlet 45°, SNAP IN**

▶ 198

- insulation-piercing terminals

- with distance sealing ring
- for diagonal installation



Suitable for  
Optional  
Frame with hinged cover and imprint "IP44"

Order no.

Page  
from p.  
178

Rated voltage	250 V~
Rated current	16 A
Conductor cross-section (flexible)	2.5 mm <sup>2</sup>

Earth bracket clamping forces according to TNO requirements.

Not suitable for contact protection boxes (cavity walls).

Connection terminals according to IEC 60884-1

Design	Order no.	PU
<b>for installation wall thickness 1 mm (± 0.1 mm)</b>		
red matt	8 4860 25 07	200
green matt	8 4860 25 03	200
orange matt	8 4860 25 04	200
<b>for installation wall thickness 2 mm (+0.1/-0.3 mm)</b>		
red matt	8 4870 25 07	200
green matt	8 4870 25 03	200
orange matt	8 4870 25 04	200
<b>for installation wall thickness 3 mm (+0.1/-0.3 mm)</b>		
red matt	8 4880 25 07	200
green matt	8 4880 25 03	200
orange matt	8 4880 25 04	200



**SCHUKO socket outlet 45°, SNAP IN**

▶ 198



- enhanced contact protection
- insulation-piercing terminals



Rated voltage 250 V~  
Rated current 16 A  
Conductor cross-section (flexible) 2.5 mm<sup>2</sup>

Earth bracket clamping forces according to TNO requirements.

Not suitable for contact protection boxes (cavity walls).

Connection terminals according to IEC 60884-1

Enhanced contact protection according to IEC 60884-1

- with distance sealing ring
- for diagonal installation

Suitable for Optional  
Frame with hinged cover and imprint "IP44"

Order no. Page

from p. 178

Design Order no. PU

**for installation wall thickness 1 mm (± 0.1 mm)**

red matt	8 4861 25 07	200
green matt	8 4861 25 03	200
orange matt	8 4861 25 04	200

**for installation wall thickness 2 mm (+0.1/-0.3 mm)**

red matt	8 4871 25 07	200
green matt	8 4871 25 03	200
orange matt	8 4871 25 04	200

**for installation wall thickness 3 mm (+0.1/-0.3 mm)**

red matt	8 4881 25 07	200
green matt	8 4881 25 03	200
orange matt	8 4881 25 04	200



**SCHUKO socket outlet 45° with control LED, SNAP IN**

▶ 198



- insulation-piercing terminals



Rated voltage 250 V~  
Rated current 16 A  
LED current 1 mA  
Conductor cross-section (flexible) 2.5 mm<sup>2</sup>

Earth bracket clamping forces according to TNO requirements.

Not suitable for contact protection boxes (cavity walls).

Connection terminals according to IEC 60884-1

- with green control LED as function light
- with distance sealing ring
- for diagonal installation

Suitable for  
Frame with lens

Order no. Page

from p. 176

Design Order no. PU

**for installation wall thickness 1 mm (± 0.1 mm)**

red matt	8 4860 25 17	200
green matt	8 4860 25 13	200
orange matt	8 4860 25 14	200

**for installation wall thickness 2 mm (+0.1/-0.3 mm)**

red matt	8 4870 25 17	200
green matt	8 4870 25 13	200
orange matt	8 4870 25 14	200

**for installation wall thickness 3 mm (+0.1/-0.3 mm)**

red matt	8 4880 25 17	200
green matt	8 4880 25 13	200
orange matt	8 4880 25 14	200





### SCHUKO socket outlet 45° with control LED, SNAP IN

▶ 198

- enhanced contact protection
- insulation-piercing terminals



Rated voltage	250 V~
Rated current	16 A
LED current	1 mA
Conductor cross-section (flexible)	2.5 mm <sup>2</sup>

- with green control LED as function light
- with distance sealing ring
- for diagonal installation

Suitable for  
Frame with lens

Order no.

Page  
from p.  
176

Earth bracket clamping forces according to TNO requirements.

Not suitable for contact protection boxes (cavity walls).

Connection terminals according to IEC 60884-1

Enhanced contact protection according to IEC 60884-1

Design	Order no.	PU
<b>for installation wall thickness 1 mm (± 0.1 mm)</b>		
red matt	<b>8 4861 25 17</b>	200
green matt	<b>8 4861 25 13</b>	200
orange matt	<b>8 4861 25 14</b>	200
<b>for installation wall thickness 2 mm (+0.1/-0.3 mm)</b>		
red matt	<b>8 4871 25 17</b>	200
green matt	<b>8 4871 25 13</b>	200
orange matt	<b>8 4871 25 14</b>	200
<b>for installation wall thickness 3 mm (+0.1/-0.3 mm)</b>		
red matt	<b>8 4881 25 17</b>	200
green matt	<b>8 4881 25 13</b>	200
orange matt	<b>8 4881 25 14</b>	200



## Socket outlets with earthing pin for spec. applications - Berker integro

### Socket outlets with earthing pin and insulation-piercing terminals

- for 4-hole screw fitting
- new insulation displacement contact technology: quick and easy connection with the joining tool, order no. 8 1726 25 81
- VDE approval
- up to 2 flexible conductors with a cross section of 2.5 mm<sup>2</sup> can be connected for each insulation displacement contact; wires do not have to be stripped in advance.
- enables multiple socket outlets to be looped through without breaking the conductors.
- IPT contacts made from copper alloy, tin-plated
- thermoplastic centre plates and bases
- base with snap-on safety cap

Marked items are only suitable for splash-protected IP44 installation when used in conjunction with sealing (order no. 9 1853 01) and frame with hinged cover and imprint "IP44".



### Socket outlet with earthing pin

▶ 198

- enhanced contact protection
- insulation-piercing terminals



Rated voltage	250 V~
Rated current	16 A
Conductor cross-section (flexible)	2.5 mm <sup>2</sup>

- 2pole + earth
- with screw terminals

Suitable for  
Optional

Order no.

Page

Sealing IP44 for socket outlets with insulation-piercing terminals  
Frame with hinged cover and imprint "IP44"

from p.  
178  
from p.  
178

Earth bracket clamping forces according to TNO requirements.

Not suitable for contact protection boxes (cavity walls).

Connection terminals according to IEC 60884-1

Enhanced contact protection according to IEC 60884-1

Design	Order no.	PU
red matt	<b>8 6301 25 07</b>	200
green matt	<b>8 6301 25 03</b>	200
orange matt	<b>8 6301 25 04</b>	200







**Socket outlet with earthing pin and control LED**

▶ 198



- enhanced contact protection
- insulation-piercing terminals



Rated voltage	250 V~
Rated current	16 A
LED current	1 mA
Conductor cross-section (flexible)	2.5 mm <sup>2</sup>

- with green control LED as function light
- 2pole + earth
- with screw terminals

Suitable for	Order no.	Page
<b>Optional</b>		
Frame with hinged cover and imprint "IP44"		from p. 178
Sealing IP44 for socket outlets with insulation displacement contacts	9 1853 01	79

Earth bracket clamping forces according to TNO requirements.

Not suitable for contact protection boxes (cavity walls).

Connection terminals according to IEC 60884-1

Enhanced contact protection according to IEC 60884-1

Design	Order no.	PU
red matt	<b>8 6301 25 17</b>	200
green matt	<b>8 6301 25 13</b>	200
orange matt	<b>8 6301 25 14</b>	200



**Socket outlet with earthing pin 45°**

▶ 198



- enhanced contact protection
- insulation-piercing terminals



Rated voltage	250 V~
Rated current	16 A
Conductor cross-section (flexible)	2.5 mm <sup>2</sup>

- for diagonal installation
- 2pole + earth
- with cutting terminals

Suitable for	Order no.	Page
<b>Optional</b>		
Sealing IP44 for socket outlets with insulation-piercing terminals		from p. 178
Frame with hinged cover and imprint "IP44"		from p. 178

Earth bracket clamping forces according to TNO requirements.

Not suitable for contact protection boxes (cavity walls).

Connection terminals according to IEC 60884-1

Enhanced contact protection according to IEC 60884-1

Design	Order no.	PU
red matt	<b>8 6351 25 07</b>	200
green matt	<b>8 6351 25 03</b>	200
orange matt	<b>8 6351 25 04</b>	200



**Socket outlet with earthing pin 45° and control LED**

▶ 198



- enhanced contact protection
- insulation-piercing terminals



Rated voltage	250 V~
Rated current	16 A
LED current	1 mA
Conductor cross-section (flexible)	2.5 mm <sup>2</sup>

- with green control LED as function light
- for diagonal installation
- 2pole + earth
- with cutting terminals

Suitable for	Order no.	Page
<b>Optional</b>		
Frame with hinged cover and imprint "IP44"		from p. 178
Sealing IP44 for socket outlets with insulation displacement contacts	9 1853 01	79

Earth bracket clamping forces according to TNO requirements.

Not suitable for contact protection boxes (cavity walls).

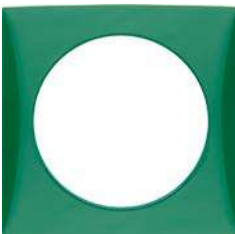
Connection terminals according to IEC 60884-1


Enhanced contact protection according to IEC 60884-1


Design	Order no.	PU
red matt	<b>8 6351 25 17</b>	200
green matt	<b>8 6351 25 13</b>	200
orange matt	<b>8 6351 25 14</b>	200






**Frames for special applications - Berker integro**

	<b>Frame 1gang</b>	▶ 200	
	Design	Order no.	PU
	<b>Berker integro - design flow</b>		
	red glossy	<b>9 1827 25 76</b>	10
	green glossy	<b>9 1827 25 70</b>	10
	orange glossy	<b>9 1827 25 74</b>	10



	<b>Frame 1gang</b>	▶ 200	
	Design	Order no.	PU
	<b>Berker integro - design classic</b>		
	red glossy	<b>9 1827 86</b>	10
	green glossy	<b>9 1827 87</b>	10
	orange glossy	<b>9 1827 88</b>	10

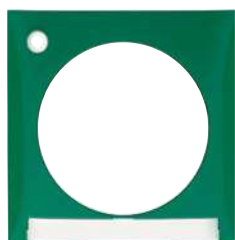
	<b>Frame 2gang</b>	▶ 200	
		– for vertical and horizontal mounting	
	Design	Order no.	PU
	<b>Berker integro - design flow</b>		
	red glossy	<b>8 1826 25 76</b>	100
	red glossy	<b>9 1826 25 76</b>	2
	green glossy	<b>9 1826 25 70</b>	2
	orange glossy	<b>9 1826 25 74</b>	2

	<b>Frame 3gang</b>	▶ 200	
		– for vertical and horizontal mounting	
	Design	Order no.	PU
	<b>Berker integro - design flow</b>		
	red glossy	<b>9 1819 25 76</b>	2
	green glossy	<b>9 1819 25 70</b>	2
	orange glossy	<b>9 1819 25 74</b>	2

	<b>Frame</b>	
	<b>- labelling field</b>	
		
	Labelling field height arranged for P-touch strips 6 mm.	
Design	Order no.	PU
<b>Berker integro - design flow</b>		
red glossy	<b>9 1803 25 76</b>	10
green glossy	<b>9 1803 25 90</b>	10
orange glossy	<b>9 1803 25 94</b>	10

**Frame with lens**

	<b>Frame</b>	
	<b>- lens upper right / Lens down left</b>	– for socket with indicator LED
		
	Design	Order no.
<b>Berker integro - design flow</b>		
red glossy	<b>9 1987 25 76</b>	10
green glossy	<b>9 1987 25 03</b>	10
orange glossy	<b>9 1987 25 04</b>	10



**Frame**

- labelling field – for socket with indicator LED
- lens upper left / Lens down right



Labelling field height arranged for P-touch strips 6 mm.

Design	Order no.	PU
<b>Berker integro - design flow</b>		
red glossy	<b>8 1970 25 76</b>	200
green glossy	<b>8 1970 25 03</b>	200
orange glossy	<b>8 1970 25 04</b>	200



**Frame**

- labelling field – for socket with indicator LED
- lens upper right / Lens down left



Labelling field height arranged for P-touch strips 6 mm.

Design	Order no.	PU
<b>Berker integro - design flow</b>		
red glossy	<b>8 1977 25 76</b>	200
green glossy	<b>8 1977 25 03</b>	200
orange glossy	<b>8 1977 25 04</b>	200

**Frames with hinged cover**



**Frame with hinged cover**

- for covering of socket outlets ▶ 200

Design	Order no.	PU
<b>Berker integro - design flow</b>		
red glossy	<b>9 1828 25 76</b>	10
green glossy	<b>9 1828 25 70</b>	10
orange glossy	<b>9 1828 25 74</b>	10



**Frame with hinged cover**

- labelling field – with 2 labelling field inlays, neutral and perforated for socket outlet with indicator LED
- for covering of socket outlets



Labelling field height arranged for P-touch strips 9 mm.

Design	Order no.	PU
<b>Berker integro - design flow</b>		
red glossy	<b>9 1988 25 76</b>	10
green glossy	<b>9 1988 25 03</b>	10
orange glossy	<b>9 1988 25 04</b>	10

New



**Frame with hinged cover**

- labelling field – with 2 labelling field inlays, neutral and perforated for socket outlet with indicator LED
- for covering of socket outlets



Labelling field height arranged for P-touch strips 9 mm.

Design	Order no.	PU
<b>Lens bottom left</b>		
green glossy	<b>★ 9 1988 25 83</b>	10
orange glossy	<b>★ 9 1988 25 84</b>	10
red glossy	<b>★ 9 1988 25 86</b>	10



**Lens bottom right**

green glossy	★ 9 1988 25 93	10
orange glossy	★ 9 1988 25 94	10
red glossy	★ 9 1988 25 96	10

**IP44 applications**

 Marked items are only suitable for splash-protected IP44 installation when used in conjunction with the corresponding sealing accessories and Berker integro module insert.

 **Frame with hinged cover and imprint "IP44"**

▶ 200



- without sealing
- for waterproof covering of socket outlets

Suitable for	Order no.	Page
SCHUKO socket outlets for special applications - Berker integro		from p. 166
Socket outlets with earthing pin for spec. applications - Berker integro		from p. 174
Sealing IP44 for socket outlets with insulation-piercing terminals		from p. 178

Design	Order no.	PU
--------	-----------	----

**Berker integro - design flow**

red glossy	9 1828 25 86	10
green glossy	9 1828 25 90	10
orange glossy	9 1828 25 94	10

 **Frame with hinged cover and imprint "IP44"**

▶ 200



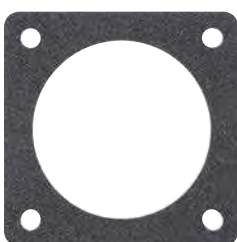
- without sealing
- for waterproof covering of socket outlets

Suitable for	Order no.	Page
SCHUKO socket outlets for special applications - Berker integro		from p. 166
Socket outlets with earthing pin for spec. applications - Berker integro		from p. 174
Sealing IP44 for socket outlets with insulation-piercing terminals		from p. 178

Design	Order no.	PU
--------	-----------	----

**Berker integro - design classic**

red glossy	9 1828 86	10
green glossy	9 1828 90	10
orange glossy	9 1828 94	10



**Sealing IP44 for socket outlets with insulation-piercing terminals**

Material thickness	2.5 mm	- for SCHUKO socket outlets with insulation-piercing terminals (frame with hinged cover "IP44" required!)
Cut-out Ø	41 mm	- for socket outlets with earthing pin and insulation-piercing terminals (frame with hinged cover "IP44" required!)

**New sealing material:**

Cellular rubber, closed cell (EPDM-S), permanently elastic whilst also higher strength. For optimum sealing effect and improved material behaviour during installation.

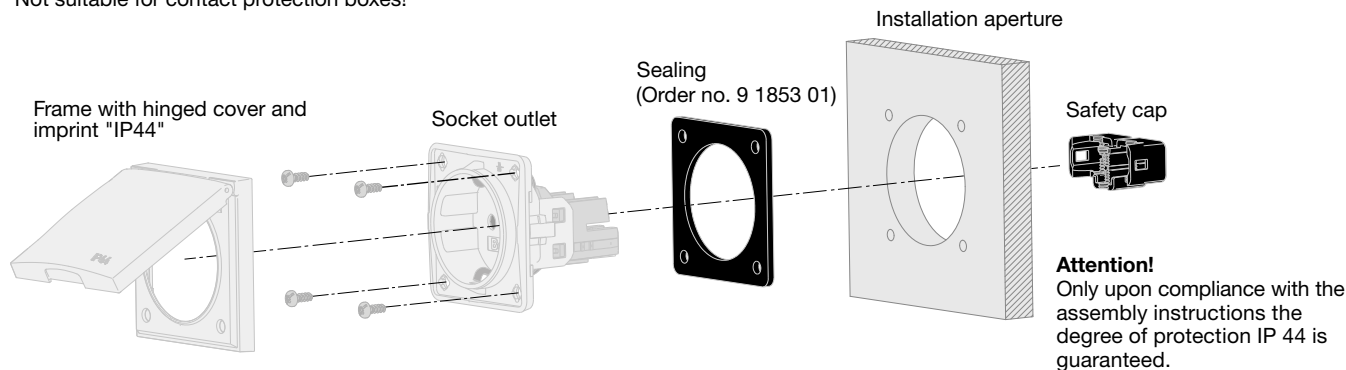
Suitable for	Order no.	Page
SCHUKO socket outlets with insulation-piercing terminals		from p. 166
Socket outlets with earthing pin and insulation-piercing terminals		from p. 174
Frame with hinged cover and imprint "IP44"		from p. 178

Design	Order no.	PU
black	8 1853 01	200

black	9 1853 01	10
-------	-----------	----

## Assembly instructions for IP44 socket outlets with insulation-piercing terminals

Not suitable for contact protection boxes!



# Berker Solutions





Berker  
Solutions

# Berker Solutions

The added customer benefits of customised solutions. Because of Berker's affiliation with the Hager Group, we can offer our customers an even wider range of solutions and services. By being in a position to respond to customer requests for customised products, we can offer new, innovative and added-value product solutions. In this section you will find solutions to reliable power supplies for caravanning, high-quality switch and socket outlet solutions for design-related applications or individually configured trunking. For example, efficiently furnishing complex buildings such as hospitals and laboratories with tailored trunking.







# 10

## Page

Berker Manufaktur	184
Berker special cable trunking solutions	186
Berker cable trunking on a roll	188
Berker distribution boards	190

calpe

# Berker Manufaktur

More and more people are following the trend of not following trends! For these kind of people we have Berker Manufaktur.

Berker was founded in 1919 as a "specialised factory for electro-technical devices." Even our name signalled our intention of finding specialised solutions for customers. At Berker Manufaktur we can apply customised labelling,

innovative colours and elegant surface finishes to our range of switches.

There are many ways to make switches as individual as the customer requires, and in principle, all of our switch ranges can be personalised.

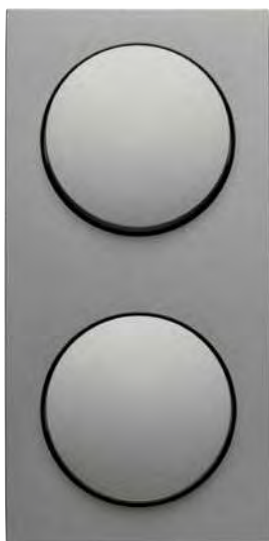
We're looking forward to receiving your own special request!

calpe

## Colouring



Berker Integro – Design Flow  
2-gang switch combination  
copper, matt, lacquered



Berker Integro - Design Pure  
2-gang switch combination  
nickel, matt, lacquered



Berker Integro – Design Pure  
2-gang switch combination  
titanium grey, matt, lacquered



Berker Integro – Design Flow/Pure  
Hinged cover black chrome,  
glossy, galvanised

## Functional overview



## Special labelling – Lettering and symbols



Berker Integro – Design Flow hinged cover, with individual printing



Berker Integro switch printed with special symbols



# Berker Special cable trunking solutions



calpe

## Exceptions confirm the rule

Functional furniture and special-purpose vehicle construction demand extremely specific installation requirements.

Individual trunking solutions from the Hager Group offer a tailored electrical profile for any situation, as well as a unique touch in terms of design and quality.

From special lengths and colours to expressly developed solutions – we can find the right solution for your needs!



# Berker Cable trunking on a roll

The cable trunking on a roll has a flexible design and can be cut to customised lengths for space-saving storage,

plus an economical and ecological use of the installation material.



Cable trunkings on a roll, black, (W x H) 12 x 7 mm  
Order no. OLFR701209011BE1

Cable trunkings on a roll, polar white, (W x H) 35 x 20 mm  
Order no. OLFR2003509010BE1

## Cable trunkings on a roll



### Cable trunking with double sided adhesive tape

- length 20 m – PVC  
 – with perforated base  
 – with factory-made adhesive tape  
 – lower part and cover of trunking are joined
- Purchase quantity of a minimum of 720 m.**

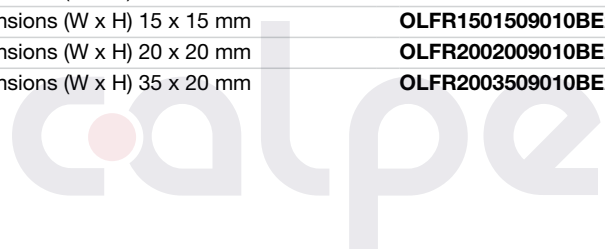
Design	Order no.	PU
polar white, Dimensions (W x H) 12 x 7 mm	<b>OLFR701209010BE1</b>	20
polar white, Dimensions (W x H) 15 x 15 mm	<b>OLFR1501509010BE1</b>	20
polar white, Dimensions (W x H) 20 x 20 mm	<b>OLFR2002009010BE1</b>	20
polar white, Dimensions (W x H) 35 x 20 mm	<b>OLFR2003509010BE1</b>	20
black, Dimensions (W x H) 12 x 7 mm	<b>OLFR701209011BE1</b>	20
black, Dimensions (W x H) 15 x 15 mm	<b>OLFR1501509011BE1</b>	20
black, Dimensions (W x H) 20 x 20 mm	<b>OLFR2002009011BE1</b>	20
black, Dimensions (W x H) 35 x 20 mm	<b>OLFR2003509011BE1</b>	20



### Cable trunking

- length 20 m – PVC  
 – with perforated base  
 – lower part and cover of trunking are joined
- Purchase quantity of a minimum of 720 m.**

Design	Order no.	PU
polar white, Dimensions (W x H) 12 x 7 mm	<b>OLFR701209010BE2</b>	20
polar white, Dimensions (W x H) 15 x 15 mm	<b>OLFR1501509010BE2</b>	20
polar white, Dimensions (W x H) 20 x 20 mm	<b>OLFR2002009010BE2</b>	20
polar white, Dimensions (W x H) 35 x 20 mm	<b>OLFR2003509010BE2</b>	20



# Berker Distribution boards

Distribution boards are an essential requirement for leisure vehicles and each vehicle requires a distribution board to provide fuse protection for people using the vehicle. The

“Caravanning model” is a stylish distributor solution option that is also suitable for assembly in visible areas.



Distribution board, “Model Caravanning”

Housing made of flame-resistant plastic.  
Door available in white or transparent plastic.  
Flexible connection options with flat plug connection block, screw terminals or Wago quick-connection.

Wiring according to customer request.

Externally accessible mounting points without disruptive retaining brackets, thus the housing can be screwed on in the closed state.

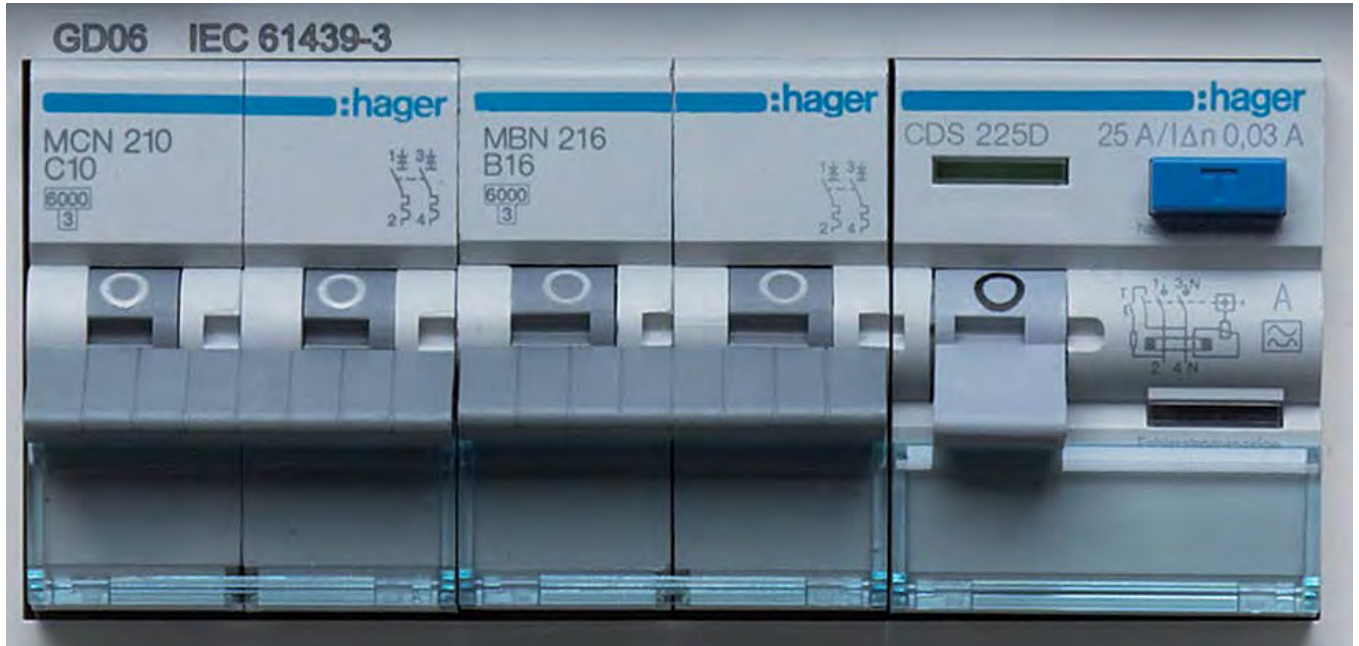
## Product features

“Model Caravanning”:

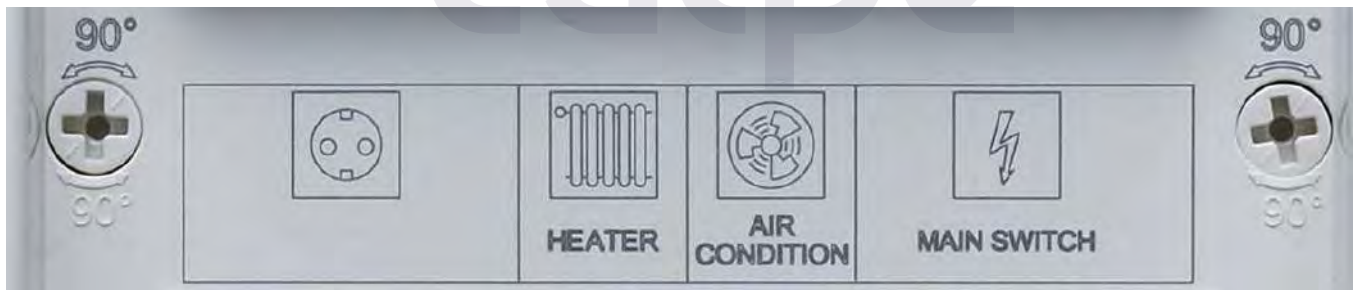
- Application range: 230V
- Dimensions:  
(W x H x T) 153 x 231 x 94 mm
- Degree of protection: IP 40 only with door
- DIN EN 61439
- Housing colour:  
pure white similar to RAL 9010
- Housing made of flame-retardant plastic
- Door available in white or transparent
- Flexible connection options with  
Flat connector terminal block, screw terminals or Wago quick connection
- Wiring according to customer requirements
- Fastening points accessible from outside without disruptive clips, it is possible to screw on the housing when it is closed





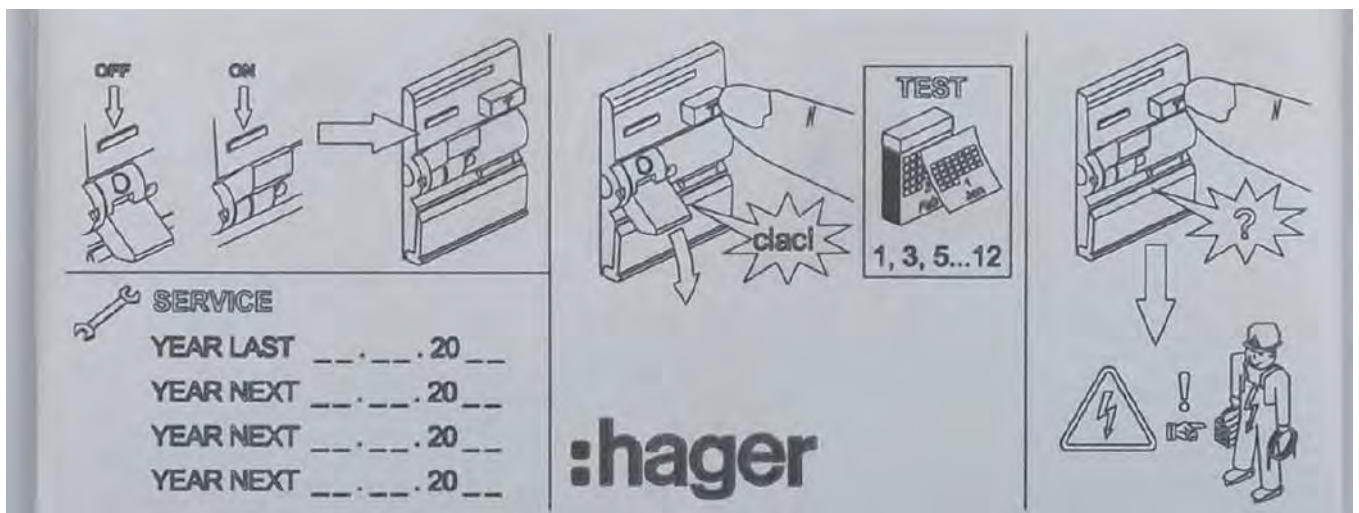


Individual modular device configuration from the Hager product portfolio – residual current circuit-breaker (FI) and wiring protection switch (LS) on 6 units with busbar



Individually configurable laser printing for clear assignment of fitted modular devices.

Berker Solutions



Use of clear, comprehensible symbols with information on maintenance intervals, functional test and information on what to do in the event of interference.

# Instructions for cleaning care

calpe

### **For surfaces made of plastic, metal or glass:**

Clean by wiping the surfaces with a moist, soft, lint-free cloth.

Soap-based detergents are suitable for heavier dirt.

Open-pored surfaces made from natural materials are sensitive to grease and dirt. They are to be cleaned with a dry, lint-free cloth only.

### **For surfaces of stainless steel:**

Aggressive external ambient factors or direct treatment can damage the material. This can result in rust or discoloration.

We recommend cleaning and impregnating stainless steel parts several times a year with special cleaning and care products intended for stainless steel products. Please observe the instructions for use of the cleaning material, as it may not be suitable for use with plastics or fine metallic surface finishes.

### **Applies to all surfaces:**

Abrasives and polishes, acid-based (scale removing) detergents and detergents containing chlorine as well as alkaline-based detergents will generally damage all surfaces.

Moreover, painted/lacquered surfaces must not come in contact with detergents that contain alcohol.

### **All surfaces are resistant to:**

- 1% surfactant solution
- Glass cleaner
- Methylated spirits
- Pharmacy quality cleaning solvent

It should be noted that the effect of different cleaning/disinfectant agents on a surface can be significantly influenced by exposure time, mixture ratio and ambient temperature. The above information is based on current knowledge and experience.

# Technical information



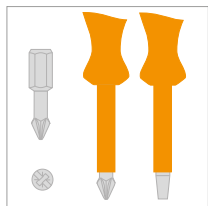
# 12

## Page

Installation instructions / Socket outlets	196
Module inserts / Multimedia modules	197
Socket outlets with insulation-piercing terminals	198
integro contact protection boxes	199
Designs flow / classic / pure	200
twin-box	201
integro box	202
Built-in modules 45 x 45	203
Built-in socket outlets Dimensional drawings	205
Testing, administrative, trademarks, switching symbols and symbols	209
Conditions of sale, delivery and payment	209
Product overview	210

### Installation instructions

#### Tool size for processing Berker products



The products have combination screws that can be processed with cross-head as well as flat-blade screwdrivers.

Tool sizes for contact screws:

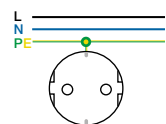
- Cross-head bits: Pozi-Drive, size 2
- Cross-head screwdrivers: Pozi-Drive, size 2
- Slot screwdrivers: blade thickness 1 mm

Tool sizes for fixing screws:

- Cross-head bits: Pozi-Drive, size 1
- Cross-head screwdrivers: Pozi-Drive size 1.
- Slot screwdrivers: Blade thickness 0.8 mm.

**i** When using cordless screwdrivers a maximum torque of 0.5 Nm should be used.

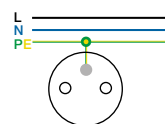
### International socket outlets



Use in:

**AF/AM/AT/AZ/BA/BE/BF/BG/BI/BJ/BY/CF/CS/DE/EE/EG/ER/ES/FI/GE/GL/GR/HR/HU/ID/IR/IS/IT/KR/KZ/LB/LT/LU/LV/MD/MK/MR/MZ/NL/NO/PE/PT/PY/RO/RU/RW/SA/SE/SI/SM/SO/SR/SY/TJ/TR/UA/UY/UZ**

**Figure 1:** SCHUKO socket outlet\* – 2-pin + earth, 250 V~, 16 A



Use in:

**AD/BE/CG/CI/CM/CZ/DJ/DZ/FR/GF/GN/GP/KH/KM/MA/MG/ML/PL/SK/SN/SY/TD/TG/TN/VN**

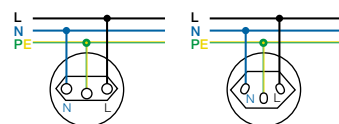
**Fig. 2:** Socket outlet with earthing pin FRANCE/BELGIUM\* – 2-pin + earth, 250 V~, 16 A



Use in:

**DK/GL**

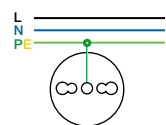
**Fig. 3:** Socket outlet with earthing contact DENMARK – 2-pin + earth, 250 V~, 13 A



Use in:

**CH** Type 13 (left Fig.)  
**CH** Type 23 (right Fig.)

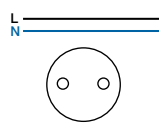
**Fig. 4:** Socket outlet with earthing contact SWITZERLAND – 2-pin + earth, type 13: 250 V~, 10 A; type 23: 250 V~, 16 A



Use in:

**AL/CL/ET/IT/LY/SY**

**Fig. 5:** Socket outlet with earthing contact ITALY\* – 2-pin + earth, 250 V~, 16 A



Use in:

**AO/NL**

**Fig. 6:** Socket outlet without earthing contact NETHERLANDS\* – 2-pin, 250 V~, 16 A



Use in:

**AE/AG/BN/BW/CY/GB/GD/GH/GM/HK/IE/IQ/KE/KW/LR/MT/MW/MY/OM/SL/TZ/YE/ZA/ZW**

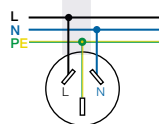
**Fig 7:** Socket outlet with earthing contact BRITISH STANDARD, standard: BS 1363 Part 2 – 2-pin + earth, 250 V~, 13 A



Use in:

**CA/GT/GY/HH/HT/KP/LA/MX/PA/PH/PR/SV/TH/TW/US/VE**

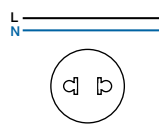
**Figure 8:** Socket outlet with earthing contact USA/CANADA NEMA 5–15 R – 2-pin + earth, 125 V~, 15 A



Use in:

**AR/AU/FJ/NZ/AR/AU/FJ/NZ**

**Fig. 9:** Socket outlet with earthing contact AUSTRALIA – 2-pin + earth, 250 V~, 10 A (left Fig.); 250 V~, 15 A (right Fig.)



Use in:

**CA/GT/GY/HH/HT/KP/LA/MX/PA/PH/PR/SV/TH/TW/US/VE**

**Figure 10:** Socket outlet without earthing contact EURO-AMERICAN STANDARD\* – 2-pin, 250 V~, 10 A

\* Non-polarised system - without specification for the connection of the external wire and neutral wire

### Country abbreviations in accordance with ISO 3166

<b>AD</b> Andorra	<b>BN</b> Brunei	<b>EE</b> Estonia	<b>GR</b> Greece	<b>KP</b> North Korea	<b>MT</b> Malta	<b>RU</b> Russia	<b>TM</b> Turkmenistan
<b>AE</b> United Arab Emirates	<b>BW</b> Botswana	<b>EG</b> Egypt	<b>GT</b> Guatemala	<b>KR</b> South Korea	<b>MW</b> Malawi	<b>RW</b> Ruanda	<b>TN</b> Tunisia
<b>AF</b> Afghanistan	<b>BY</b> Belarus	<b>ER</b> Eritrea	<b>GY</b> Guyana	<b>KW</b> Kuwait	<b>MX</b> Mexico	<b>SA</b> Saudi Arabia	<b>TR</b> Turkey
<b>AG</b> Antigua	<b>CA</b> Canada	<b>ES</b> Spain	<b>HK</b> Hong Kong	<b>KZ</b> Kazakhstan	<b>MY</b> Malaysia	<b>SE</b> Sweden	<b>TW</b> Taiwan
<b>AL</b> Albania	<b>CF</b> Central Africa Republic	<b>ET</b> Ethiopia	<b>HN</b> Honduras	<b>LA</b> Laos	<b>MZ</b> Mozambique	<b>SI</b> Slovenia	<b>TZ</b> Tanzania
<b>AM</b> Armenia	<b>CG</b> Congo	<b>FI</b> Finland	<b>HR</b> Croatia	<b>LB</b> Lebanon	<b>NL</b> Netherlands	<b>SK</b> Slovakia	<b>UA</b> Ukraine
<b>AO</b> Angola	<b>CH</b> Switzerland	<b>FJ</b> Fiji	<b>HT</b> Haiti	<b>LR</b> Liberia	<b>NO</b> Norway	<b>SL</b> Sierra Leone	<b>US</b> USA
<b>AR</b> Argentina	<b>CI</b> Côte d'Ivoire	<b>FR</b> France	<b>HU</b> Hungary	<b>LT</b> Lithuania	<b>NZ</b> New Zealand	<b>SM</b> San Marino	<b>UY</b> Uruguay
<b>AT</b> Austria	<b>CL</b> Chile	<b>GB</b> Great Britain	<b>ID</b> Indonesia	<b>LU</b> Luxemburg	<b>OM</b> Oman	<b>SN</b> Senegal	<b>UZ</b> Uzbekistan
<b>AU</b> Australia	<b>CM</b> Cameroon	<b>GD</b> Grenada	<b>IE</b> Ireland	<b>LV</b> Latvia	<b>PA</b> Panama	<b>SO</b> Somalia	<b>PU</b> Venezuela
<b>AZ</b> Azerbaijan	<b>CS</b> Serbia and Montenegro	<b>GE</b> Georgia	<b>IQ</b> Iraq	<b>LY</b> Libya	<b>PE</b> Peru	<b>SR</b> Surinam	<b>VN</b> Vietnam
<b>BA</b> Bosnia and Herzegovina	<b>CY</b> Cypress	<b>GF</b> French Guiana	<b>IR</b> Iran	<b>MA</b> Morocco	<b>PH</b> Philippines	<b>SV</b> El Salvador	<b>YE</b> Yemen
<b>BE</b> Belgium	<b>CZ</b> Czech Republic	<b>GH</b> Ghana	<b>IS</b> Iceland	<b>MD</b> Moldavia	<b>PL</b> Poland	<b>SY</b> Syria	<b>ZA</b> Zambia
<b>BF</b> Burkina Faso	<b>DE</b> Germany	<b>GL</b> Greenland	<b>IT</b> Italy	<b>MG</b> Madagascar	<b>PR</b> Puerto Rico	<b>TD</b> Chad	<b>ZW</b> Zimbabwe
<b>BG</b> Bulgaria	<b>DJ</b> Djibouti	<b>GM</b> Gambia	<b>KE</b> Kenya	<b>MK</b> Macedonia	<b>PT</b> Portugal	<b>TG</b> Togo	
<b>BI</b> Burundi	<b>DK</b> Denmark	<b>GN</b> Guinea	<b>KH</b> Cambodia	<b>ML</b> Mali	<b>PY</b> Paraguay	<b>TH</b> Thailand	
<b>BJ</b> Benin	<b>DZ</b> Algeria	<b>GP</b> Guadeloupe	<b>KM</b> Comoros	<b>MR</b> Mauritania	<b>RO</b> Rumania	<b>TJ</b> Tajikistan	

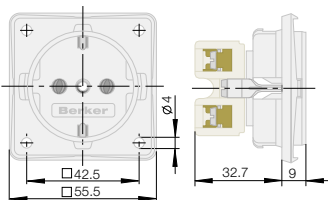
## Berker integro Module inserts

**i** Flat-head screws, size M3 or M3.5 must be used to fasten the inserts.

### Socket outlets

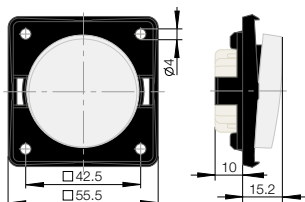
#### Dimensional drawing

Socket outlets of international plug-and-socket systems have insertion depths that are different from those of SCHUKO socket outlets (Table 1).



### Rocker switch/rocker push-button

#### Dimensional drawing



## Multimedia modules

### Cinch modules

Cinch (RCA) is the designation of standardised connectors for transmitting electrical signals, primarily via coaxial cables. Use of other cable types is not widespread, however it is possible.

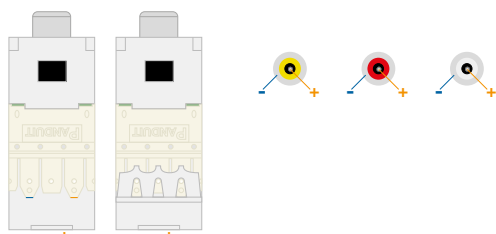


Figure 1: Polarity for cinch modules

### S-Video module

The S-Video (also known as Separate Video, Y/C) module is used for separate transmission of brightness (luminance) and colour (chrominance or chroma) information.

**i** Cable length should not exceed 10 m.

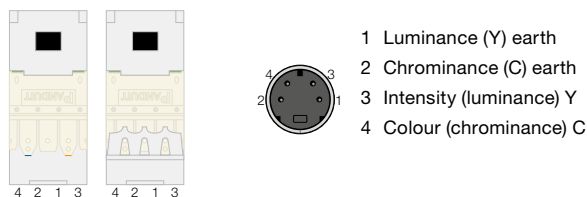


Figure 2: Contact assignment of the S-Video module

Socket outlet system	Installation depth
SCHUKO socket outlet with plug-in terminals	32.7 mm
SCHUKO socket outlet with screw terminals	32.5 mm
SCHUKO socket outlet with installation-piercing terminals	46.5 mm
Socket outlet with earthing contact, USA/CANADA, NEMA 5-15 R	19.5 mm
Socket outlet with earthing contact, USA/CANADA, NEMA 6-20 R	19.5 mm
Socket outlet with earth contact AUSTRALIA	16.5 mm
Socket outlet with earthing contact DENMARK	27.5 mm
Socket outlet with earthing contact ITALY	34.0 mm
Socket outlet with earthing contact, SWITZERLAND, type 13	28.0 mm
Einbauöffnung Socket outlet with earthing contact, SWITZERLAND, type 23	28.0 mm
Socket outlet with earth contact BRITISH STANDARD	20.5 mm
Socket outlet with earthing pin FRANCE/BELGIUM with screw terminals	29.5 mm
Socket outlet with earthing pin FRANCE/BELGIUM with installation-piercing terminals	43.5 mm
Socket outlet without earth contact NETHERLANDS	29.6 mm
Socket outlet without earthing contact EURO-AMERICAN STANDARD	21.3 mm

Table 1: Installation depth of different plug and socket systems

### VGA module

The VGA module is used to connect display devices on a graphic card. Depending on the quality, VGA cables can be susceptible to interference at lengths of under 5m, or they can still transmit a good signal at lengths in excess of 30 m. Cables suited for high frequency with a coaxial structure for the colour channels are advantageous.

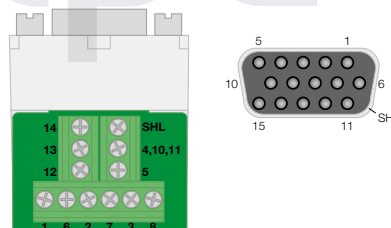


Fig. 3: Pinout of the VGA modules

PIN	Transmission signal	wire
1	red	Coaxial wire
2	green	Coaxial wire
3	blue	Coaxial wire
4*	Monitor ID Bit 2	Twisted pair wire (optional connection)
5	Ground	Twisted pair wire
6	Red ground	Coaxial shielding
7	Green ground	Coaxial shielding
8	Blue ground	Coaxial shielding
9	-	-
10*	Synchronous ground	Twisted pair wire
11*	Monitor ID bit 0 or digital ground	Twisted pair wire (optional connection)
12	Monitor ID bit 1	Twisted pair wire (optional connection)
13	Horizontal synchronisation	Wire 1
14	Vertical synchronisation	wire 2
15	Monitor ID bit 3	-
SHL	Housing shielding	External shielding

\*are connected together on one terminal

Table 2: Contact pinouts of the VGA modules

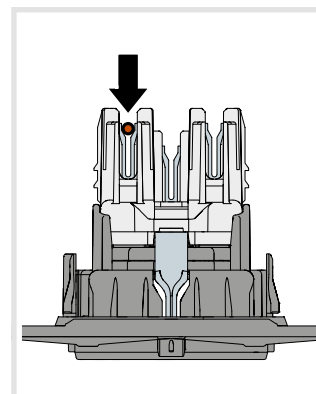
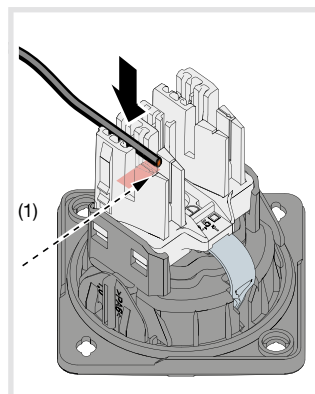
## Connection of insulation-piercing terminals

### Correct use

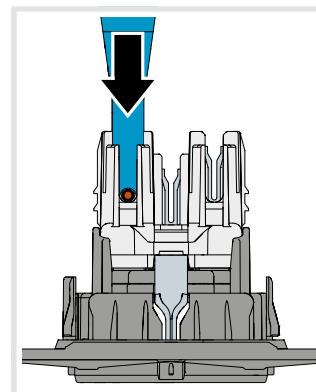
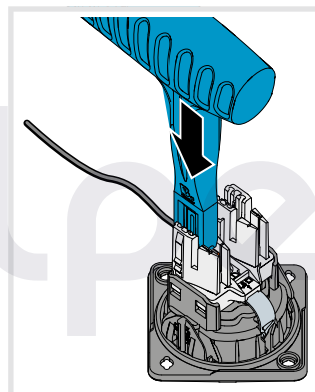
- Only suitable for connection with finely stranded (flexible) cables (2.5 mm<sup>2</sup>).
- Connection of a maximum of 2 cables per terminal connection.
- Connection of continuous cables.
- Connection of end of cables
- Only for use in self-contained systems (e.g. trunkings)

### Connect insulation-piercing terminals

- Insert cable form above in the insulation-piercing terminal until resistance is felt.
- i** Insert the cable ends in such way that they lie in the red marked area, but extend at most to the marking notch (1).

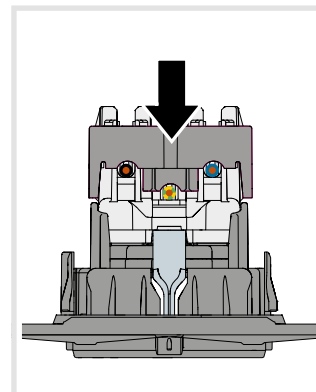
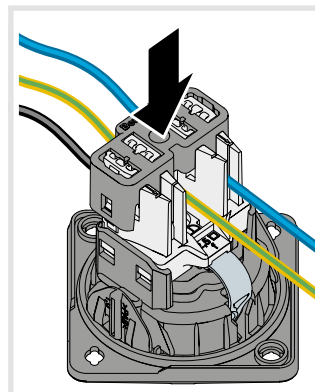


- Position the joining tool and push the cable firmly into the terminal as far as it will go.



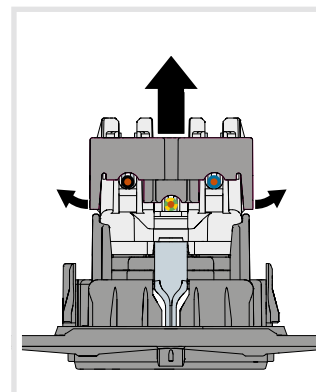
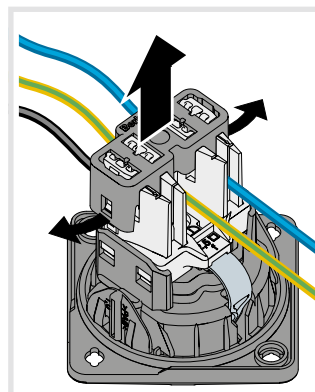
- After connecting all cables, attach the safety cap. Depending on the assignment of 1 or 2 cables per terminal connection, use the first or second notch.

- i** In addition to the connection of cable ends (sw), the diagram shows the principle of looping through of wires (gnge, bl) as an example.



### Remove the safety cap with a tool

- Slightly lift the notching tongues and remove the safety cap.
- i** The safety cap provides contact protection at the contact.



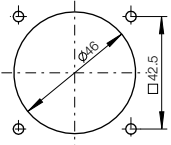




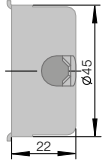
## Contact protection boxes (cavity walls)

### Dimensional drawings

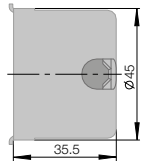
Installation cutout  
Ø 46 mm



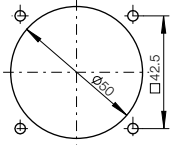
9 1820 01  
9 1820 03



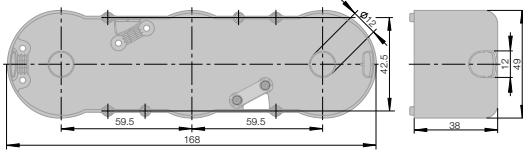
9 1820  
9 1820 02



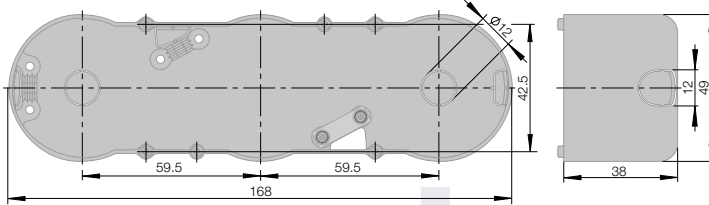
Installation cutout  
Ø 50 mm



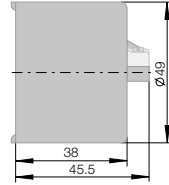
9 1915 01  
9 1915 02



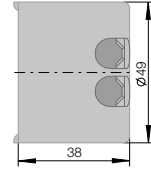
9 1933



9 1883

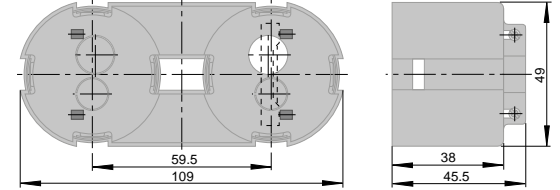


9 1887 01



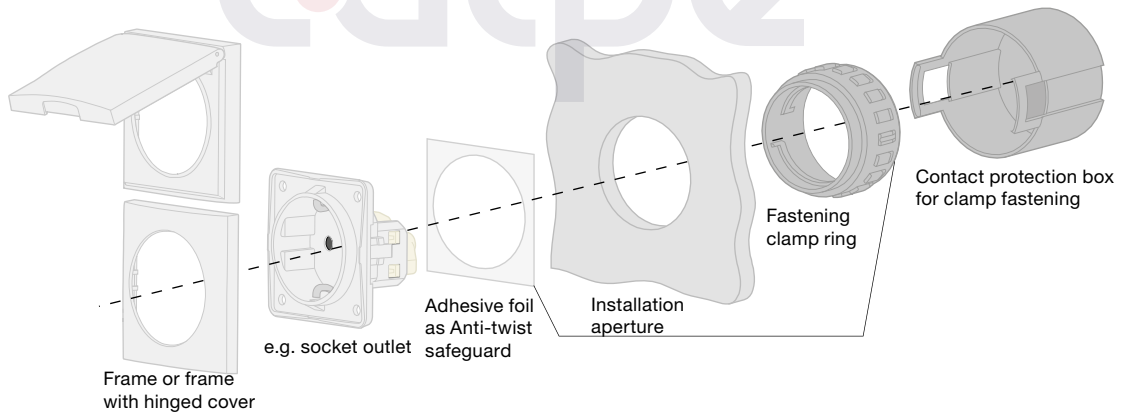
**i** The strain reliefs are not suitable for flat hose lines of 0.75 mm<sup>2</sup>.

9 1911 ..  
9 1912 ..



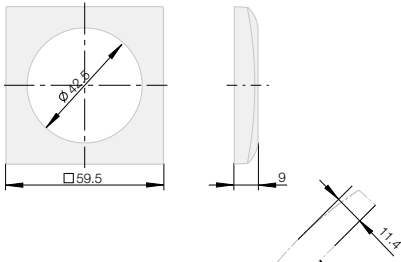
## Mounting with clamp fastening

e.g. in a mirror

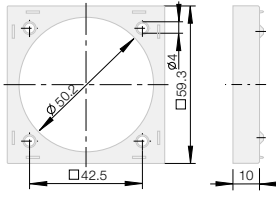


**Berker integro - design flow**  
Dimensional drawings

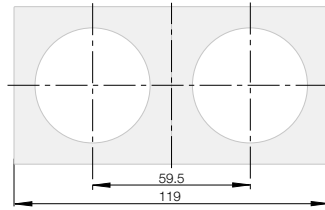
Frame 1gang



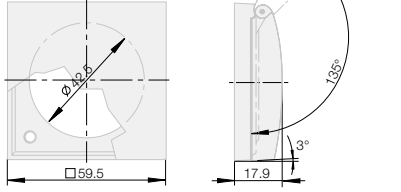
Surface-mounted spacer ring



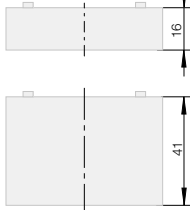
Frame 2gang



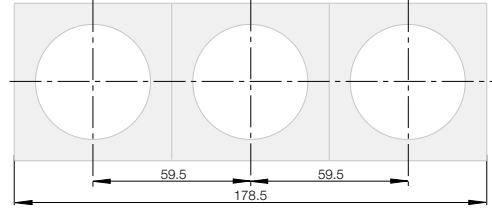
Frame with hinged cover



Surface-mounted housing

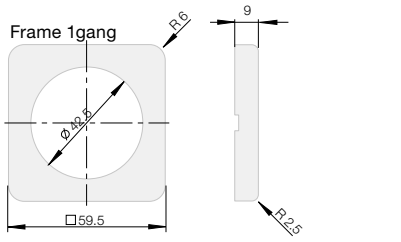


Frame 3gang

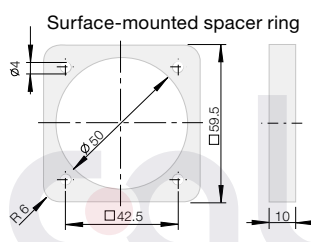


**Berker integro - design classic**  
Dimensional drawings

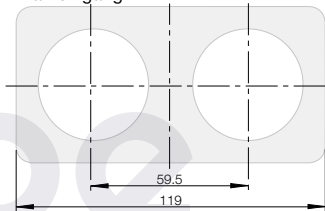
Frame 1gang



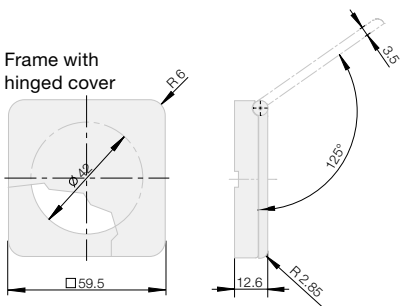
Surface-mounted spacer ring



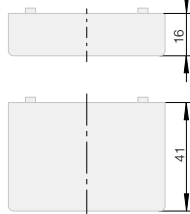
Frame 2gang



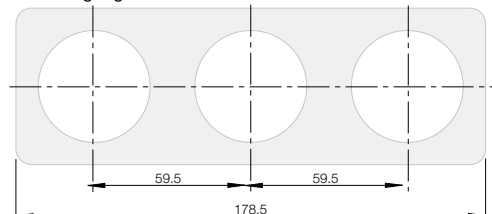
Frame with hinged cover



Surface-mounted housing

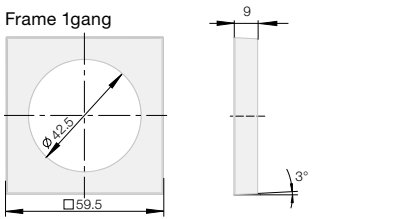


Frame 3gang

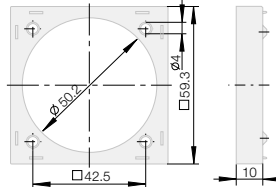


**Berker integro - design pure**  
Dimensional drawings

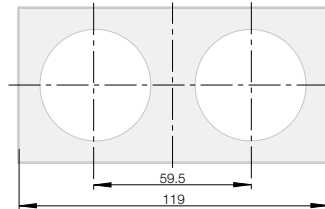
Frame 1gang



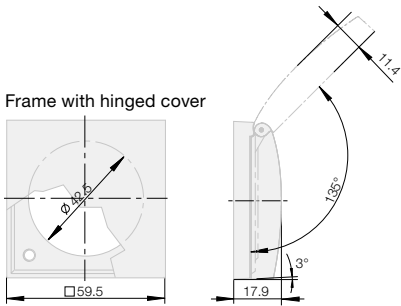
Surface-mounted spacer ring



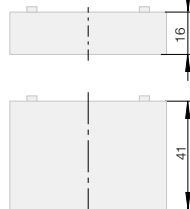
Frame 2gang



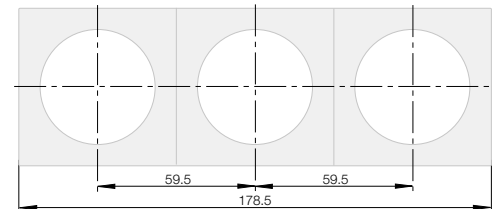
Frame with hinged cover



Surface-mounted housing

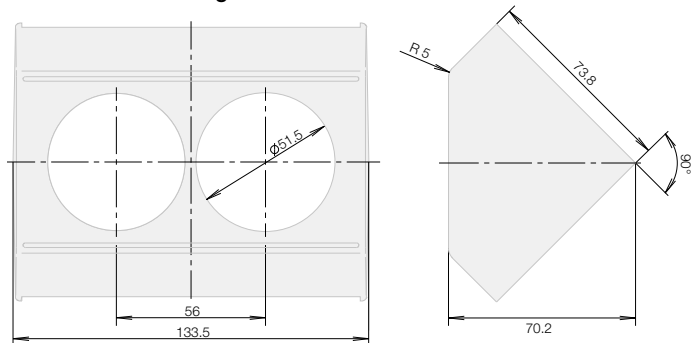


Frame 3gang



# Berker twin-box

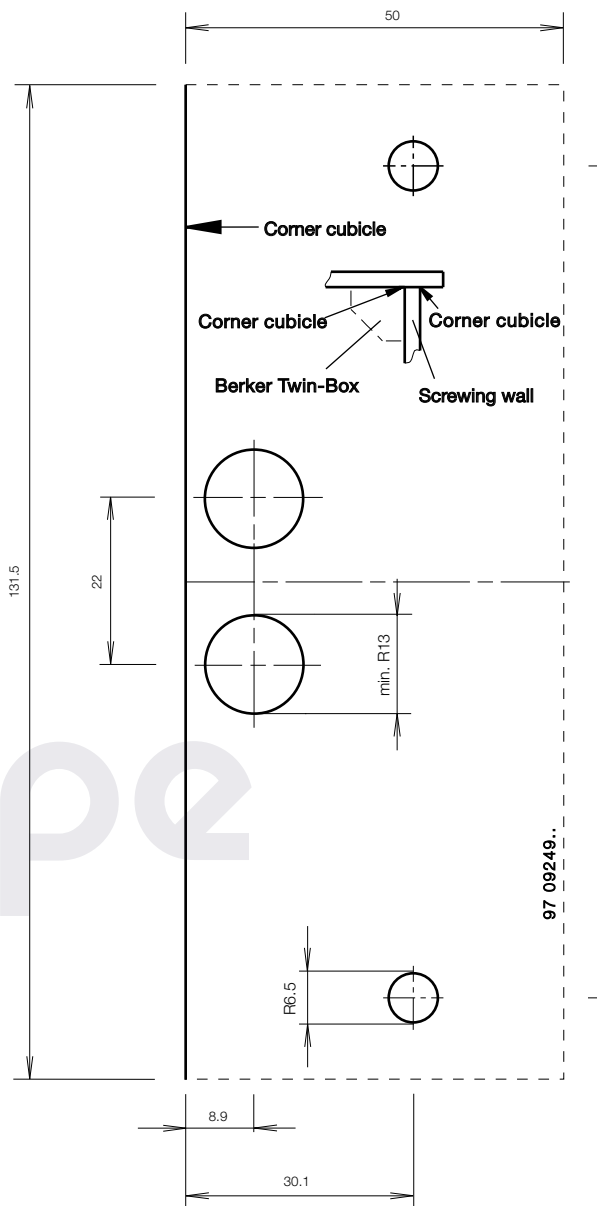
## Dimensional drawing



twin-box combination	Lead (Type H05VV-F)			Light fitting cable (Type H05VV-F)		
	Number of wires	Cross section	Length	Number of wires	Cross section	Length
1948 02	3	1.5 mm <sup>2</sup>	1.5 m	-	-	-
1948 08	3	1.5 mm <sup>2</sup>	1.5 m	2	0.75 mm <sup>2</sup>	1.5 m
1948 13	3	1.5 mm <sup>2</sup>	1.5 m	2	0.75 mm <sup>2</sup>	1.5 m
1948 16	3	2.5 mm <sup>2</sup>	1.5 m	3	2.5 mm <sup>2</sup>	1.5 m
1948 17	3	1.5 mm <sup>2</sup>	1.5 m	3	0.75 mm <sup>2</sup>	1.5 m
1948 18	3	1.5 mm <sup>2</sup>	1.5 m	-	-	-
1948 19	3	2.5 mm <sup>2</sup>	1.5 m	-	-	-
1948 20	3	1.5 mm <sup>2</sup>	1.5 m	2	0.75 mm <sup>2</sup>	1.5 m
1948 25	3	2.5 mm <sup>2</sup>	1.5 m	-	-	-
1948 26	3	2.5 mm <sup>2</sup>	1.5 m	3	1.5 mm <sup>2</sup>	1.5 m
1948 27	3	1.5 mm <sup>2</sup>	1.5 m	3	1.5 mm <sup>2</sup>	1.5 m
1948 29	3	1.5 mm <sup>2</sup>	1.5 m	-	-	-
1948 30	3	1.5 mm <sup>2</sup>	1.5 m	-	-	-

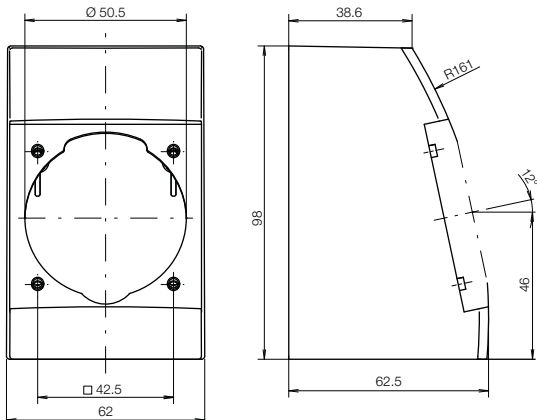
Table 3: twin-box pre-assemblies

## Berker twin-box assembly aid

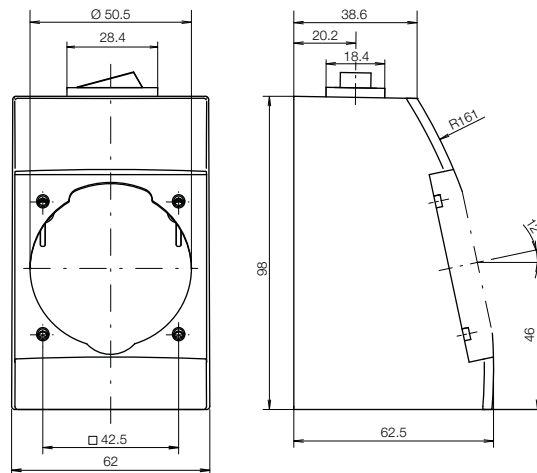


## Berker integro box

### Assembly set



### Assembly set with on/off switch



### Installation instructions

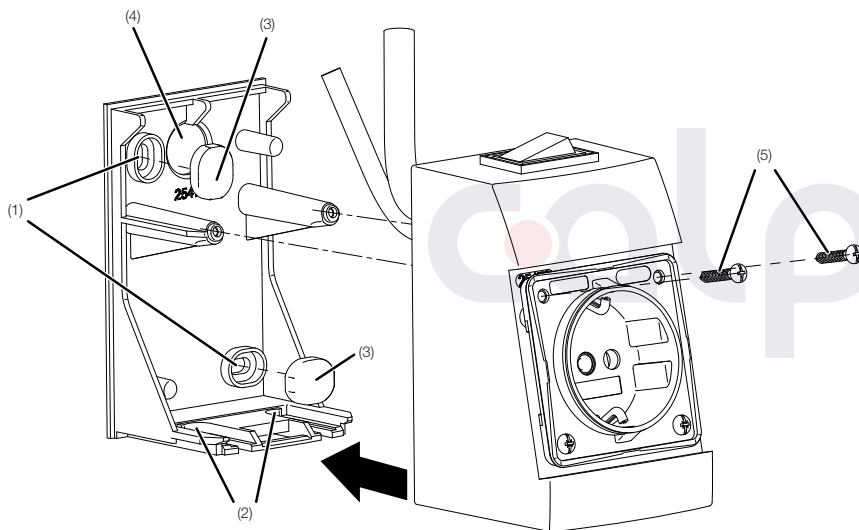


Figure 1: Lower part and cover

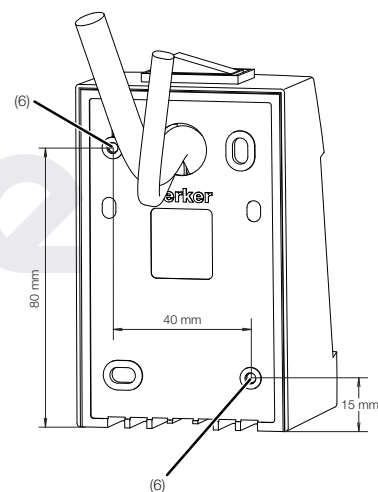


Figure 2: Dimensions for rear mounting of the complete device

- (1) Screw holes for mounting on mirror cabinet rear panel (front view)
- (2) Screw holes for mounting on mirror cabinet floor
- (3) Protection covers
- (4) Cable entry
- (5) Screws (supplied)

- (6) Fastening points for mounting the complete device (rear view)

### Mounting the integro Box

- Fasten lower part of the integro Box to the mirror cabinet rear panel using suitable screws (1).
- Cover screw holes using the protective covers supplied (3).
- or
- Fasten lower part of the integro Box to the mirror cabinet floor using suitable screws (2).
- Insert cables through the opening provided (4).
- Push cover onto the lower part until it engages.
- Fasten cover to the lower part using the screws supplied (5).

The integro Box can also be screwed to the rear panel of the mirror cabinet in assembled state using the fastening points (6) provided (Figure 2). Suitable screws are available upon request.

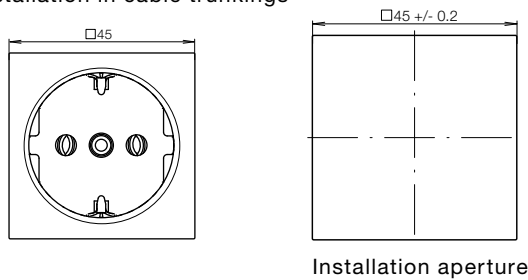
## Built-in modules 45 x 45

**i** The built-in modules 45 x 45 are snapped into place in the installation opening using the "SNAP-IN method" and can thus be installed without the need for tools.

Width 1 module unit = 22.5 mm.

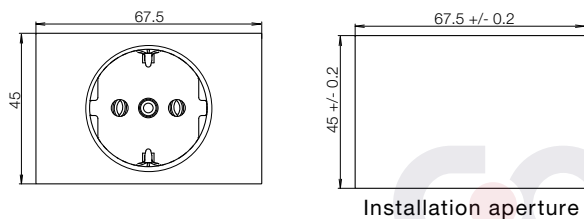
### Built-in SCHUKO socket-outlet SNAP IN 4.6 mm, 2 module units

- for installation in cable trunkings



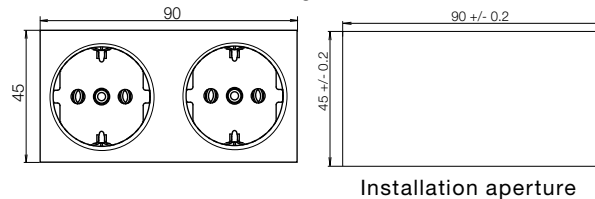
### Built-in SCHUKO socket outlet SNAP IN 4.6 mm, 3 module units

- for installation in cable trunkings



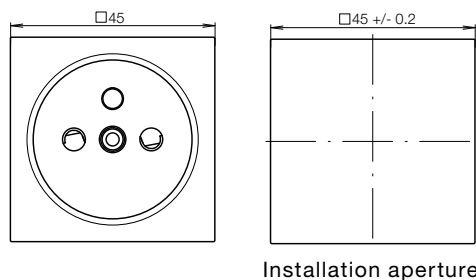
### Built-in SCHUKO double socket outlet SNAP IN 4.6 mm, 4 module units

- for installation in cable trunkings



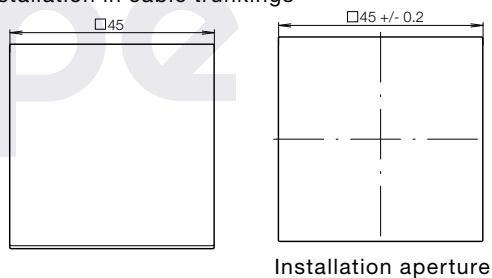
### Built-in socket outlet with earthing contact SNAP IN 4.6 mm, 2 module units

- for installation in cable trunkings



### Built-in change-over switch SNAP IN 4.6 mm

- for installation in cable trunkings



# Built-in modules 45 x 45

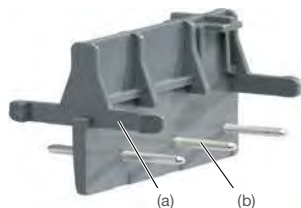
## Installation instructions / Connection technology

### Installation of several socket outlets via connection adapter

Several socket outlets have to be connected via a connection adapter (order no. WS120).

The connection adapter is used for quick installation for the following types:

- WS172, WS172E, WS172N, WS172V, WS185
- WS173, WS173E, WS173N, WS173V, WS186
- WS121, WS121E, WS121N, WS121V
- WS122, WS122E, WS122N, WS122V
- WS123, WS123E, WS123N, WS123R, WS123V



The connection adapter is inserted into the plug-in terminals of the socket outlet with its contact pins.

The connection bridges must snap into place.

- (a) Connection bridge
- (b) Contact pin

### Installation

Only in the first socket outlet module is the connection cable inserted into the plug-in terminals.



- Insert the connection adapter into the plug-in terminals of the socket outlet module in the correct position.
- Pay attention to correct polarity (labelling of the terminals).
- Insert connection adapter with socket outlet module into the plug-in terminals of the next socket outlet module in the correct position.



### Dismantling

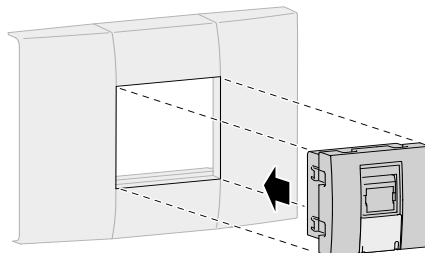
⚠ Before dismantling, make sure that no voltage is present. Cover all live parts.

- To dismantle or separate the socket outlet modules, push in the connection bridges on both sides using a slot screwdriver.
- Pull socket outlet modules apart.



### Installation in installation aperture

- Prepare the installation opening for the corresponding module.
- Connect module.
- Snap module into place in the installation opening (Example: FCC socket outlet).



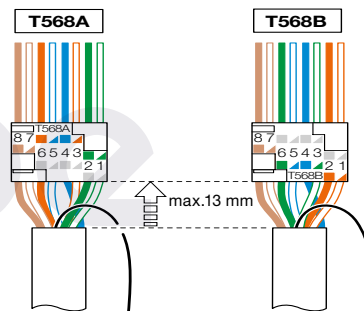
## Data communication

### Connection technology

There are two types of connection variants in the data communication:

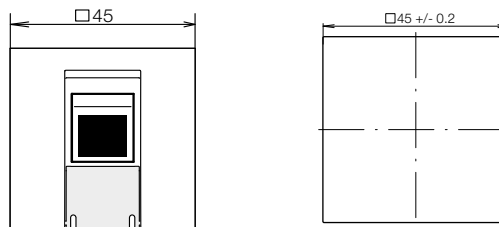
- T568 A
- T568 B

The difference between both variants lies in the assignment of the green/green-white and orange/orange white wire pair.



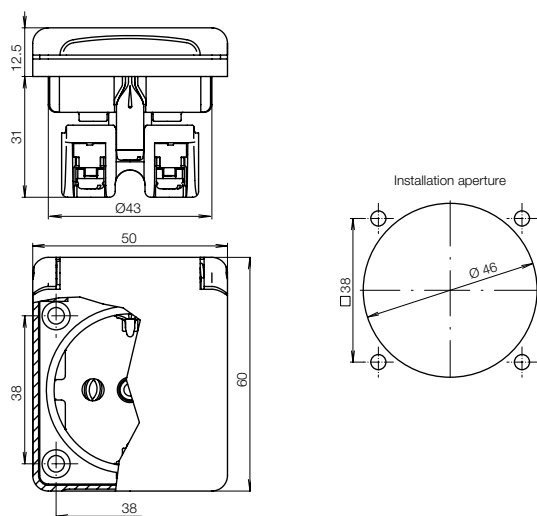
- The twisted pair wires (twisted pair) must not be drilled more than 13 mm, as otherwise the transmission properties will change.
- In the case of shielded cables, apply the shield.

### FCC socket outlet 8pole shielded, Cat.6 SNAP IN 4.6 mm



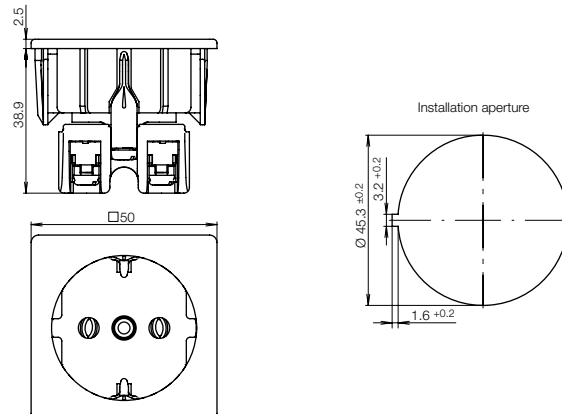
## Built-in SCHUKO socket outlets

**Built-in SCHUKO socket outlet with hinged cover**  
50 x 60 mm

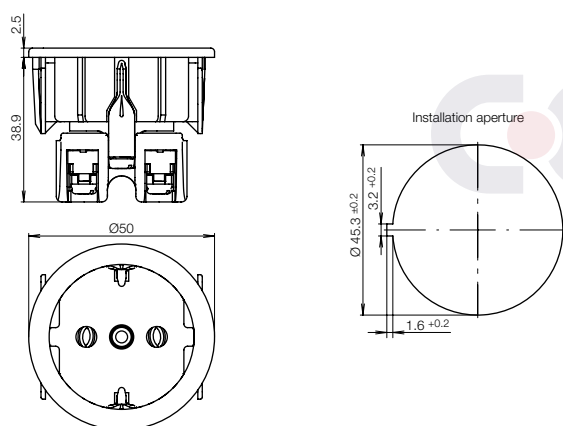


**Built-in SCHUKO socket outlet with centre plate**  
50 x 50 mm, SNAP IN

- for different installation wall thicknesses

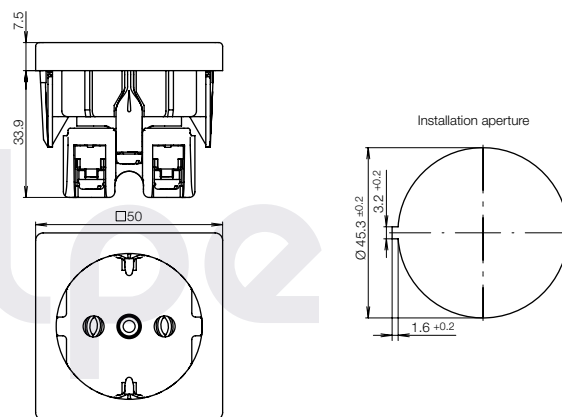


**Built-in SCHUKO socket outlet**  
with centre plate Ø 50 mm, SNAP IN  
- for different installation wall thicknesses

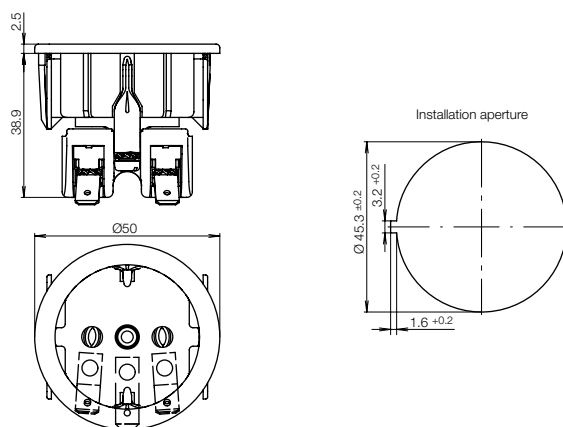


**Built-in SCHUKO socket outlet with centre plate**  
50 x 50 mm, SNAP IN 0.6 - 1.5 mm

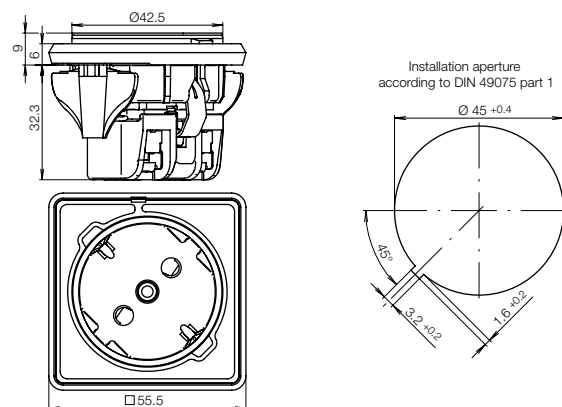
- installation depth 33.9 mm



**Built-in SCHUKO socket outlet**  
with centre plate Ø 50 mm, SNAP IN 0.6 - 1.5 mm  
- with flat connection

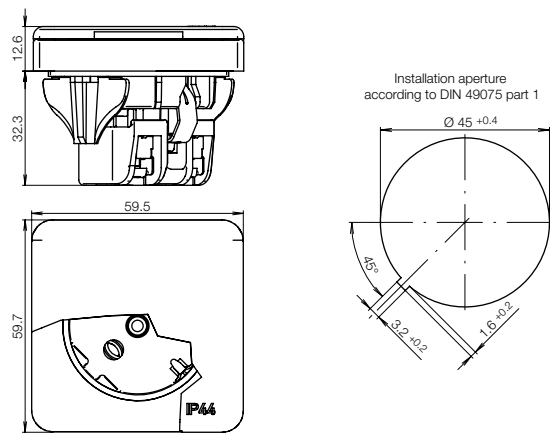


**Built-in 45° SCHUKO socket outlet**  
SNAP IN 1.3 - 2.2 mm

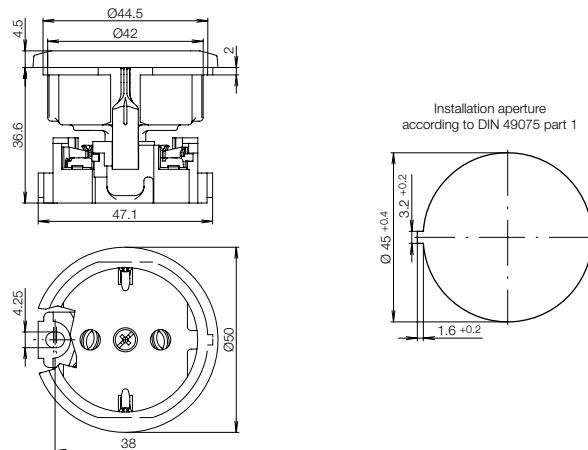


# Built-in socket outlets Dimensional drawings

## Built-in SCHUKO socket outlet 45° with hinged cover, SNAP IN 1.3 - 2.2 mm

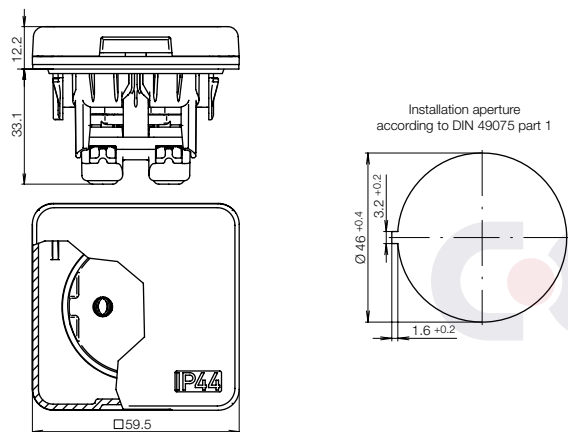


## Built-in SCHUKO socket outlet with centre plate Ø 50 mm

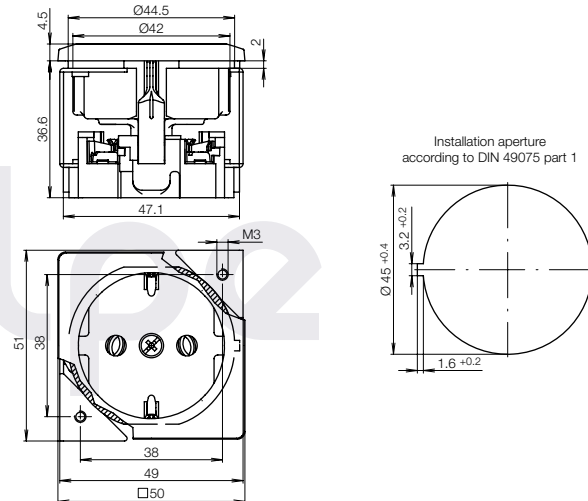


## Built-in SCHUKO socket outlet with hinged cover 59.5 x 59.5 mm, SNAP IN, IP44

- for different built-in wall thicknesses

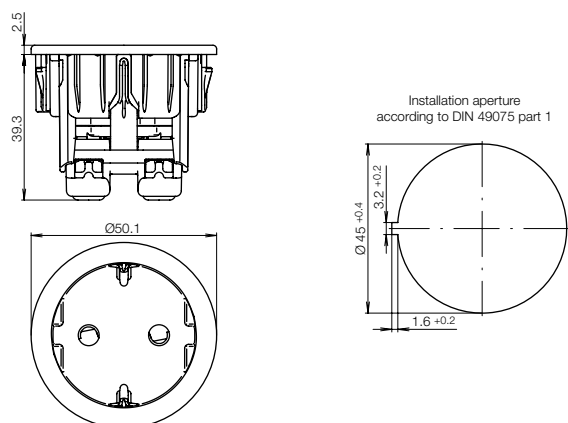


## Built-in SCHUKO socket outlet with centre plate 50 x 50 mm and supporting angle



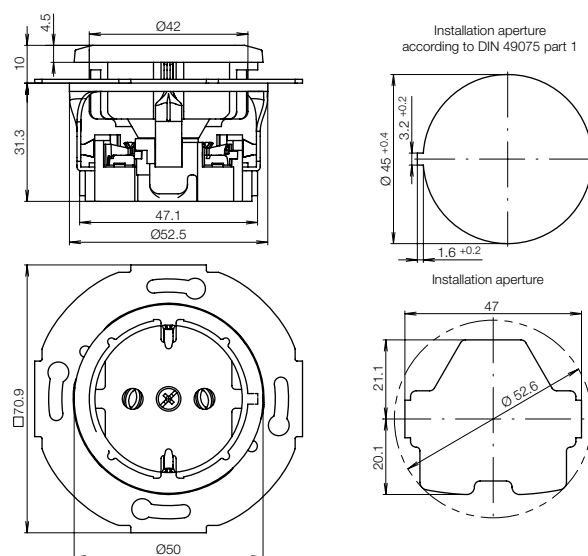
## Built-in SCHUKO socket outlet with centre plate Ø 50 mm, SNAP IN

- for different built-in wall thicknesses



## Built-in SCHUKO socket outlet with supporting ring, centre plate Ø 50 mm

- with screw terminals

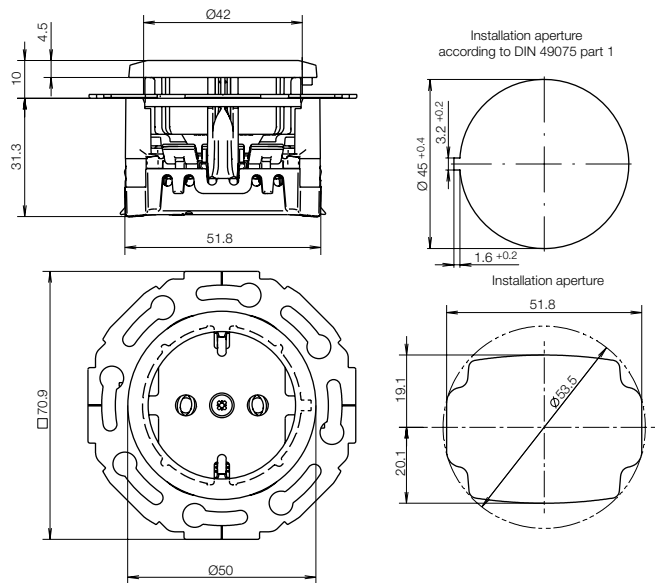




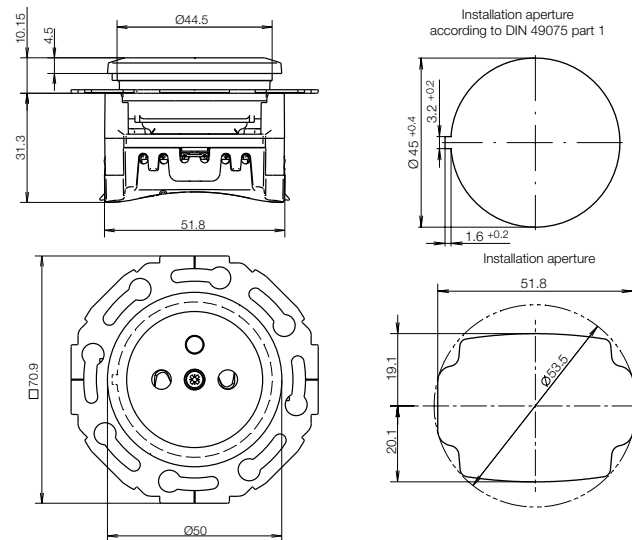


**Built-in SCHUKO socket outlet with supporting ring, centre plate Ø 50 mm**

- with plug-on terminals



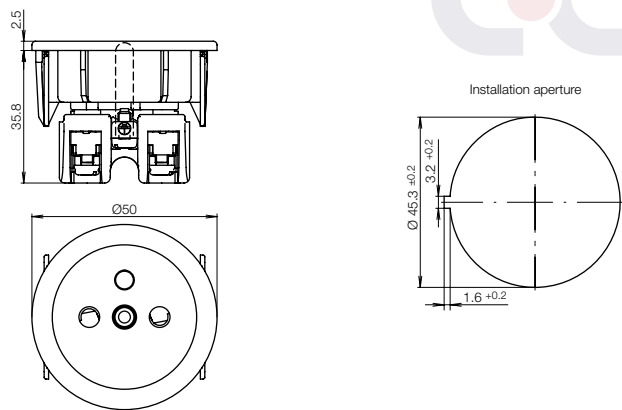
**Built-in socket outlet with earthing pint and supporting ring, centre plate Ø 50 mm**



**Built-in socket outlets with earthing pin**

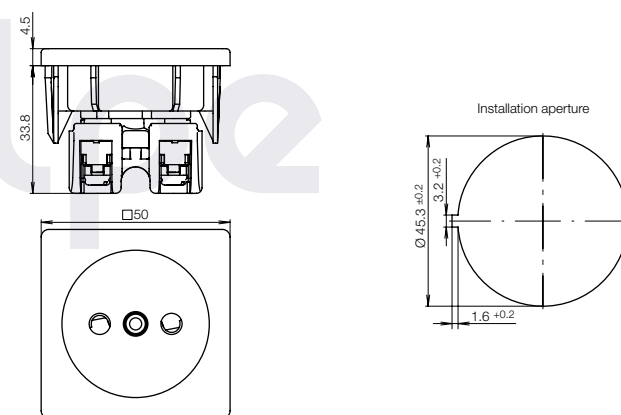
**Built-in socket outlet with earthing pin and centre plate Ø 50 mm, SNAP IN**

- for different built-in wall thicknesses



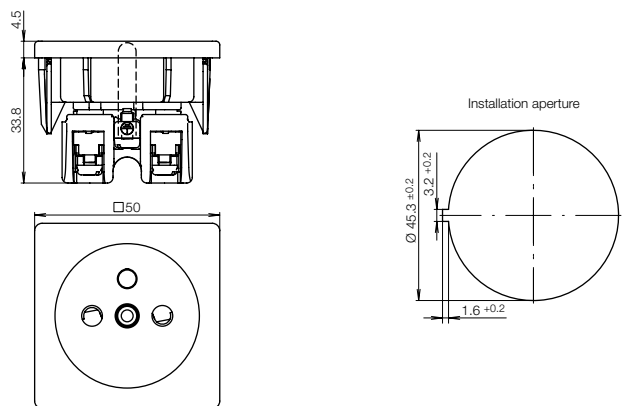
**Built-in socket outlet without earthing contact**

**Built-in socket outlet without earthing contact, with centre plate 50 x 50 mm, SNAP IN 3 mm**



**Built-in socket outlet with earthing pin and centre plate 50 x 50 mm, SNAP IN**

- for different built-in wall thicknesses



# Testing, administrative, trademarks, switching symbols and symbols

## Test marks and administrative marks

- VDE test mark, all articles of the Berker range for which it is possible to issue the test mark, bear this mark.
- Netherlands
- Austria
- Norway
- France
- Denmark
- Italy
- Sweden
- Canada
- Belgium
- USA
- Poland
- Finland
- Switzerland
- ENEC stands for European Norms Electrical Certification. The number following the mark indicates the certifying body. Example: 10 stands for VDE
- Flame retardant according to VDE 0606 T1:1984-11, meets the requirements of the Association of Property Insurers for mounting on wood.
- All items in this catalogue which are subject to CE regulations bear the CE mark on their packaging.
- Determination of colour gradations of Deutsches Institut für Gütesicherung und Kennzeichnung e.V.

## Trademark

Registered trademark of the SCHUKO-Warenzeichenverband e.V. (SCHUKO trademark association e. V.); identifies socket outlets according to DIN VDE 0620-1 and DIN 49440. The terminals are also suitable as connection terminals.

## Degree of protection

- IP** (international protection) According to DIN 40050, IEC 60529, designates the degree of protection of a device against ingress of foreign bodies and moisture.
- IP44** Protection against contact of live parts with wires or similar, larger than 1 mm diameter and splash water from all directions. (contact-protected from 1 mm, splash-protected)
- Suitable for IP44, degree of protection IP44 is only available with the appropriate sealing accessories.

## Application symbols

- Hollow-wall box
- AX** X = Fluorescent lamp rated current

## Switching symbols

To simplify the planning by means of circuit symbols, we have additionally developed our own circuit symbols based on the standard or we have used symbols already existing on the market.

Some of the new underlying details:

- Scanning arm NO contact
- Scanning arm NC contact
- Scanning arms directed to each other corresponds to common input terminal
- Scanning arms directed away from each other corresponds to isolated input terminal
- Hinged covers

## Socket outlets

- Socket outlet with earthing contact
- 2gang socket outlet with earthing contact
- Socket outlet with earthing contact and enhanced contact protection
- 2gang socket outlet with earthing contact and enhanced contact protection
- 3gang socket outlet with earthing contact and enhanced contact protection
- Socket outlet with earthing contact with hinged cover
- Socket outlet with earthing contact and hinged cover and enhanced contact protection
- Socket outlet without earthing contact
- Socket outlet without earthing contact with enhanced contact protection
- USB charging socket

## Switches / Push-buttons / Dimmers

- On/off switch
- On/off switch, 2pole
- On/off switch 2pole illuminated/control switching
- Double on/off switch
- Series switch
- Change-over switch

- Change-over switch illuminated/control switching
- Intermediate switch
- Push-button, NO contact
- Push-button, NO contact illuminated/control switching
- Push-button 2 NO contacts with 1 input and 2 rockers
- Push-button 2 NO contacts with 2 separate inputs and 2 rockers
- Blind push-button
- 1 - 10 V rotary potentiometer with on/off switch

## Data communications/telecommunications

- TV aerial socket
- FCC socket outlet
- HDMI socket outlet
- VGA socket outlet
- DVI socket outlet
- S-Video socket outlet
- Cinch socket outlet
- XLR socket outlet
- Jack socket
- USB and jack socket outlet
- USB socket outlet

## Material characteristics

The majority of the products we supply comply with the REACH and RoHS requirements.

## General notes

The technical specifications given here are not binding. The operating manual supplied with the products must be observed in all cases. Illustrations are not binding, especially with regard to colour, size, equipment, performance of products and switch and connection diagrams. We reserve the right to make technical and formal changes to our products in the interest of technical progress.

**General terms and conditions**

(similar to the condition recommendation of ZVEI e.V.)

**1. General conditions** The written declarations made by both parties are the basis for the scope of the deliveries or solutions (hereinafter referred to as deliveries). In addition, these general terms and conditions (hereinafter referred to as T&C) shall apply. The general terms and conditions of the Buyer shall only apply if the supplier or service provider (hereinafter referred to as the Supplier) has agreed to them in writing. In addition, the specifications of the Association for Electrical, Electronic and Information Technologies (VDE), shall apply, if they apply to the safety of the deliveries or services. The T&C below shall also apply to all future business with the ordering party. The Supplier shall retain the right of retention and copyright to all cost estimates, drawing and other offer-related documents (hereinafter referred to as documents) without limitation. They may not be made available to third parties without the written approval of the supplier and shall be returned immediately and on demand, if the order is not placed. This shall apply in equal measure to documents of the Buyer. However, these may be made available to third parties, to whom the Supplier wishes to transfer deliveries in the normal manner. For standard and custom software, the Buyer has the non-exclusive right to use with the agreed performance features in an unmodified form on the agreed devices. The Buyer may not permit third parties to use or access this software. Partial deliveries shall be permitted. In the case of order-dependent production, an over or underdelivery of 10% shall be permitted.

**2. Securities** The precondition for the obligation to deliver is the creditworthiness of the Buyer. The Supplier shall always be authorised, should they consider it necessary, to demand advance payment or security or cash payments. If the Buyer remains in arrears in respect of fulfilling their payment obligations, or if they do not answer questions regarding their credit-worthiness, the Supplier reserves the right to withdraw from the order and, if applicable, demand compensation for damages as a result of non-performance. Previously delivered goods shall then be returned to the Supplier in the original state. Furthermore, all of the Supplier's accounts receivable shall fall due immediately in the event of enforcement by writ in respect of the Buyer's assets, bankruptcy proceedings, discontinuation of business operations or transfer of a business, as well as seizure or pledging as collateral. Any considerable deterioration in financial status (e.g. enforcement by writ, discontinuation of payment, bankruptcy, discontinuation of business operations, transfer of a business, seizure or pledging as collateral or transfer of goods, inventories or outstanding accounts items as a guarantee, etc.) must be reported to the Supplier immediately.

**3. Delivery periods** The details in the order confirmation shall form the basis for the delivery period. Compliance with this period shall require: timely arrival of all documents, approvals, releases, self-deliveries, compliance with the Suppliers payment conditions and other obligations on the part of the Buyer. Should these preconditions not be fulfilled in time then the time shall be extended accordingly. The period shall be considered as having been met when the good has been sent for shipping or has been collected within the agreed delivery time. Should shipment be delayed for reasons which are the responsibility of the Buyer, then the period shall be considered as having been met when the readiness for shipment is signalled. Should non-compliance with the delivery period be clearly traceable back to acts of good, workplace disputes or other unforeseen obstacles, then the period shall be extended accordingly. In the event of non-compliance with the agreed or extended delivery period, the Buyer may, insofar that they provide proof that they have suffered damage as a result of the delay, demand compensation for damages resulting from the delay amounting to 1/2% for each full week of delay of the value of that part of the delivery that is delivered late, up to a total of 5%. Further claims for damages on

the part of the Buyer are excluded. This shall not apply in cases of intent or cases of gross negligence. The right of the Buyer to termination after a failed extension set by the Supplier shall be unaffected.

**4. Passing of risk** Even in the case of carriage paid deliveries, risk shall pass to the Buyer when the good is passed for shipment or is collected. Shipment shall take place on instruction of the Buyer or according to the reasonable discretion of the Supplier, without any responsibility for the cheapest means of shipment. The Supplier shall insure the shipment against normal transport risks, should the Buyer desire it and be willing to pay. If shipment is delayed at the desire of the Buyer or on account of reasons for which they are responsible, then risk shall be passed to the Buyer from the day of shipment readiness. In this case, the Supplier shall be obliged to obtain the insurances demanded by the Buyer at the Buyer's request and expense. If goods are returned, then the Buyer shall carry the risk until the good arrives at the Supplier's premises.

**5. Right of retention** The components of the delivery (reserved goods) shall remain the property of the Supplier until the fulfilment of all claims against the Buyer made during the course of the business transaction. Pledging or transfer of security prior to this is forbidden. The Buyer may only sell the reserved goods, in whatever state they may be in, to resellers as part of normal business, subject to the condition that they have not defaulted on payments to the Supplier and already transferred claims with all supplementary rights resulting from this sale to the Supplier. The assignment of these claims shall be limited to the level of all the claims available to the Supplier as a result of the business transaction. The Buyer shall also be authorised to collect these debts, even after this transfer. The ability of the Supplier to collect debts themselves shall remain unaffected. The Buyer shall inform the Supplier on request of the level and debtor of these transferred claims, provide the Supplier immediately with all the documents required for collection and to inform the debtor of the transfer in writing.

The Supplier shall process the reserved goods without obligation. If the goods are mixed or connected with other objects, then the Buyer shall immediately transfer their property rights to the new objects to the Supplier. They shall store these for the Supplier with professional diligence. Should the new objects be sold, then the Buyer shall transfer their claims and all supplementary rights from this onward sale to the Supplier. Should the Buyer process the good with other goods, which do not belong to the Supplier, then the Supplier shall be assigned co-property rights to the new object to the level of the reserved goods. Should the Buyer behave in a way which infringes the contract, particularly in the case of late payment, then the Supplier shall be authorised to retract the reserved goods. The Buyer shall be obliged to provide such goods immediately on demand by the Supplier. Retraction as well as pledging of the reserved goods by the Supplier shall not be considered as a declaration of revocation.

The Buyer shall, at their own expense, carry out all the necessary measures to prevent any limitation or loss of the rights available to the Supplier for the delivered goods. The Buyer shall prevent pledges or other interventions by third parties or shall inform the Supplier of the same immediately. Any disadvantages caused to the Buyer as a result of non-observance this obligation, shall be to their own cost.

**6. Prices** All prices shall be in Euros. They shall apply ex works excluding packaging plus the appropriate applicable level of statutory VAT. In the case of the completed acceptance of goods worth more than €1000, we deliver free to the goods' reception point, minus packaging, or, for a value of more than €2500, free to the goods' reception point, including packaging. Orders below €100 will incur a handling charge of €25.

**7. Conditions of payment** Payments shall be made within 30 days of the invoice date without any discount to the Supplier account stated. Payments within 10 days of the invoice date will be granted a discount of

2%. Payment defaults or foreign currency payments shall prevent any discounts. Cheques shall only be accepted subject to normal provisions, foreign currencies only after special agreement and when they correspond to the purchase conditions of the German Central Bank. Discount fees, fees and note taxes shall be paid by the Buyer. They shall be paid to the Supplier at negotiation of the draft. With all payments, the date of fulfillment shall be considered as the day that the Supplier possesses the full amount.

If the payment deadline is exceeded or if there is a delay in delivery at the Buyer's request by more than 30 days after the order is ready for dispatch, the Supplier shall have the right, without the need for any separate reminder, to charge interest at an annual rate of 3% over the relevant Lombard rate of the German Central Bank, starting from the due date, but at least at the relevant interest rates charged by large banks in North Rhine-Westphalia for unsecured loans. The assertion of further damages shall remain unimpaired. In addition, in the case of late payment, the Supplier shall be authorised to demand the return of the good and damages for non-fulfilment. The Buyer may only set-off claims against the Suppliers claims if their claims are self-evident and legally viable.

**8. Liability for faults** The Supplier guarantees that the sold goods are free of defects at the time of the passing of risk. However, should there have been faults in parts clearly obtained from the Supplier before the risk transfer, then the Supplier shall be liable to the Buyer as follows:

1. The guarantee rights below are only available to the Buyer, if they have pursued the obligation to investigate and make complaints according to § 377 of the German Commercial Code properly through written notification of the determined faults and return the faulty good to the Supplier.

2. All those parts or services shall, at the Supplier's option, be repaired or performed anew, whose usefulness is considerably impaired within 12 months, regardless of the operating time, calculated from the day of the passing of risk, provided that their use was compromised as the result of an incident prior to the passing of risk.

3. Should the Buyer complain about faults in the supplied good or service, then this shall only permit a right to withhold payment if the existence of the faults is determined in a legally-binding manner or is not denied by the Supplier. The withheld payment must be at a reasonable ratio to the faults which occurred.

4. The Buyer shall give the Supplier a reasonable period of time and opportunity according to reasonable discretion. Should they refuse to do this, then the Supplier shall be freed from liability for the faults.

5. In the event of justified, timely notice of defects the Supplier shall rectify the defect by means of supplementary performance by, at their discretion, eliminating the defect, delivering a defect free item, or granting a credit in the amount of the calculated reduced value. The Supplier shall have the right to refuse supplementary performance as provided for by law. If supplementary performance is refused, fails, or if it is unreasonable for the Buyer, then they shall have the right to withdraw.

6. The right of the Buyer to make claims against faults shall, in every case, be limited to a period of 6 months from the time of the complaint but not before the expiry of the warranty period. Should it be impossible to reach agreement within this period, then the Supplier and Buyer may agree to extend this period of limitation.

7. The liability for defects shall not apply to natural wear and tear, nor to damage occurring after the passing of risk as a result of incorrect or negligent handling, excessive or improper use, unsuitable equipment, faulty construction work and any external influences that are not provided for in the contract, as well as non-reproducible software errors. If, for one of these reasons, the Supplier is made liable by a third party as a joint and several debtor, then the Buyer shall imme-

diately assume irrevocable liability in the internal relationship. If the Buyer or a third party carry out improper or changes or repair work, then there shall be no warranty for this or any resulting consequences.

8. The warranty period shall last 3 months for defect rectification or deliveries of replacements. It shall last at least until the expiry of the warranty of the good to which the complaint applied.

9. Further claims by the Buyer against the Supplier and their assistants shall be excluded, in particular claims for the replacement of damages not incurred upon the supplied object. This shall not apply, except for statutory liability in accordance with the Product Liability Act, with the restrictions in Point 7, or in cases of intent, cases of gross negligence or the lack of promised properties.

10. Any and all liability for defects in software products is excluded. We explicitly provide no guarantee for functions, suitability, usability, non-infringement or other expected characteristics. Thus any and all liability towards the user or third parties for any damage or consequential damage caused by the software is also excluded. If in certain cases mandatory legal norms do not allow this comprehensive exclusion of liability for software, then it shall nevertheless remain in effect for all other cases.

**9. Protection rights, copyright**

1. Should a third party make justified claims against the Buyer regarding protection rights/copyright (hereinafter referred to as a protection rights) for the products delivered by the Supplier and used in the contractually-agreed manner, then the Supplier shall be liable to the Buyer as follows:

a) The Supplier shall choose, at their discretion, to obtain a right of use for the product, to change or replace the product, or, if that is not possible under reasonable conditions, to take back the product against a refund of the purchase price. Further claims against the Supplier shall be excluded.

b) The above obligation of the Supplier shall only apply if the Buyer informs the Supplier immediately and in writing of the claims made by the third party, does not recognise an infringement of the protection rights and permits the Supplier to carry out all defensive measures and comparative negotiations.

2. Claims by the Buyer are excluded if they are responsible for the infringement of protection rights, or are caused by the special requirements of the Buyer or unforeseen application or combinations with other products.

**10. Impossibility, contractual adjustment**

1. If it is impossible for the Supplier to provide the due delivery for a reason for which they are responsible, then the Buyer shall be authorised to demand damages of up to 10% of the value of the undelivered product.

2. Insofar as events beyond the Supplier's control considerably change the economic significance or the contents of the delivery or affect the Supplier's business, the Supplier shall have the right to withdraw from the contract or to adjust the contract in agreement with the Buyer.

**11. Other claims for damages** Claims for damages by the Buyer on the grounds of violation of pre-contractual or contractual obligations and on unlawful acts are excluded. This shall not apply if statutory liability applies, in particular in the case of intent, gross negligence or the lack of promised properties.

**12. Place of jurisdiction** The sole place of jurisdiction for any disputes arising directly or indirectly from the contractual relationship shall be Hagen i.W. The law of the Federal Republic of Germany shall apply to contractual relationships. The Hague Convention of 1.7.1964 and the UN Agreement of 11.4.1980 shall not apply.

**13. Validity of the contract** The contract shall remain binding even if individual points are invalid.

# Product summary

Order no.	Page	Order no.	Page	Order no.	Page	Order no.	Page
1813	66	4788 69	145	8 1974 25 05	67	8 4195 05	23
1813 05	66	4880 69	148	8 1974 25 06	67	8 4195 25 01	23
1813 09	66	6141 93 08	150	8 1974 25 68	67	8 4195 25 02	23
1948 02	121	6741 28 09	149	8 1977 25 02	76	8 4195 25 05	23
1948 08	122	6741 91 05	149	8 1977 25 03	76	8 4195 25 06	23
1948 13	123	6741 92 09	149	8 1977 25 04	76	8 4196 05	108
1948 16	124	6741 94 05	148	8 1977 25 05	76	8 4196 09	108
1948 17	123	6741 94 09	148	8 1977 25 06	76	8 4296 15	142
1948 18	121	6763 79 10	149	8 1977 25 76	76	8 4296 34	142
1948 19	122	7 4296 35	142	8 2602 25 01	48	8 4296 36	142
1948 20	124	8 1152 25 59	81	8 2602 25 03	48	8 4296 39	142
1948 25	121	8 1152 25 69	81	8 2602 25 05	48	8 4296 46	145
1948 26	124	8 1152 59	92	8 2602 25 07	48	8 4516 05	65
1948 27	123	8 1726 25 81	28	8 2602 25 09	48	8 4516 25 01	65
1948 29	122	8 1819 25 15	75	8 2603 25 01	48	8 4516 25 05	65
1948 30	121	8 1826 07	88	8 2603 25 03	48	8 4516 25 07	65
1948 93	125	8 1826 11	88	8 2603 25 05	48	8 4516 25 09	65
1948 94	125	8 1826 15	88	8 2603 25 07	48	8 4516 25 68	65
1948 96	125	8 1826 25 07	74	8 2603 25 09	48	8 4517 05	44
1948 98	125	8 1826 25 11	74	8 3651 05	54	8 4517 25 01	44
1948 99	125	8 1826 25 15	74	8 3651 09	54	8 4517 25 05	44
1979 00 09	134	8 1826 25 19	74	8 3651 25 01	54	8 4517 25 07	44
1979 00 58	✘ 134	8 1826 25 76	74	8 3651 25 05	54	8 4517 25 09	44
1979 01 09	134	8 1827 01	88	8 3651 25 07	54	8 4519 25 02	49
1979 01 58	✘ 134	8 1827 05	88	8 3651 25 09	54	8 4519 25 05	49
1979 10 09	135	8 1827 07	88	8 3652 25 09	56	8 4558 25 05	53
1979 10 58	✘ 135	8 1827 09	88	8 3655 25 01	57	8 4558 25 07	53
1979 11 09	134	8 1827 25 01	74	8 3655 25 05	57	8 4558 25 09	53
1979 11 58	✘ 134	8 1827 25 05	74	8 3655 25 07	57	8 4558 25 10	53
1980	53	8 1827 25 07	74	8 3655 25 09	57	8 4563 25 03	50
1984	53	8 1827 25 09	74	8 3656 09	55	8 4563 25 06	50
1985	53	8 1828 01	89	8 3656 25 05	55	8 4571 25 01	45
1989	51	8 1828 05	89	8 3656 25 07	55	8 4571 25 03	45
1990	52	8 1828 07	89	8 3656 25 09	55	8 4571 25 05	45
1992	51	8 1828 09	89	8 3664 25 01	58	8 4571 25 07	45
1993	51	8 1828 25 01	76	8 3664 25 05	58	8 4571 25 09	45
1994	51	8 1828 25 05	76	8 3664 25 10	58	8 4572 25 01	46
4175 08	145	8 1828 25 07	76	8 3664 25 18	58	8 4572 25 02	46
4175 09	145	8 1828 25 09	76	8 3664 25 28	58	8 4572 25 03	46
4176 09	146	8 1828 25 95	78	8 3664 25 45	58	8 4572 25 05	46
4177 08	147	8 1828 25 97	78	8 3664 25 68	58	8 4580 25 01	51
4180 31	147	8 1828 25 99	78	8 3671 09	58	8 4580 25 03	51
4180 32	147	8 1828 75	90	8 3671 25 05	58	8 4580 25 05	51
4180 37	147	8 1828 95	89	8 3671 25 07	58	8 4580 25 07	51
4180 69	148	8 1828 97	89	8 3681 05	110	8 4580 25 09	51
4181 02	143	8 1828 99	89	8 3681 09	110	8 4582 25 01	50
4181 09	143	818 36	65	8 3695 25 24	61	8 4582 25 02	50
4183 02	143	8 1836 01	65	8 3697 25 78	62	8 4582 25 03	50
4183 05	143	8 1836 02	65	8 3699 25 05	60	8 4582 25 05	50
4188 02	146	818 37	65	8 3752 05	56	8 4582 25 06	50
4188 05	146	8 1837 01	65	8 3752 25 05	56	8 4583 25 01	50
4188 06	146	818 53	78	8 3752 25 18	56	8 4583 25 02	50
4188 08	146	8 1853 01	79	8 4104 25 06	31	8 4583 25 03	50
4188 09	146	8 1915 01	64	8 4121 86	144	8 4583 25 05	50
4188 58	144	8 1915 02	64	8 4121 90	144	8 4583 25 06	50
4189 02	143	8 1970 25 02	75	8 4121 97	144	8 4731 25 06	29
4189 05	143	8 1970 25 03	75	8 4130 06	143	8 4733 25 05	29
4189 06	143	8 1970 25 04	75	8 4140 25 06	31	8 4733 25 06	29
4189 08	143	8 1970 25 05	75	8 4185 05	23	8 4778 25 01	22
4189 09	143	8 1970 25 06	75	8 4185 25	24	8 4778 25 02	22
4190 05	147	8 1970 25 76	75	8 4185 25 01	23	8 4778 25 05	22
4190 09	147	8 1971 25 05	66	8 4185 25 02	23	8 4778 25 06	22
4604	66	8 1971 25 17	66	8 4185 25 05	23	8 4779 25 01	22
4637	66	8 1972 25 01	67	8 4185 25 06	23	8 4779 25 02	22
4788 16	146	8 1972 25 05	67	8 4185 25 21	24	8 4779 25 05	22
4788 19	146	8 1973 25 01	67	8 4185 25 22	24	8 4779 25 06	22
4788 26	144	8 1973 25 05	67	8 4185 25 25	24	8 4787 25 06	29
4788 29	144	8 1974 25 01	67	8 4185 25 26	24	8 4788 25 06	29
4788 36	146	8 1974 25 03	67	8 4188 55	144	8 4800 25 02	24



Order no.	Page	Order no.	Page	Order no.	Page	Order no.	Page
8 4800 25 03	24	8 4821 25 08	33	8 4860 25 17	36	8 6249 05	39
8 4800 25 04	24	8 4821 25 12	34	8 4861 25 02	35	8 6249 25 01	39
8 4800 25 05	24	8 4821 25 13	34	8 4861 25 03	35	8 6249 25 02	39
8 4800 25 06	24	8 4821 25 14	34	8 4861 25 04	35	8 6249 25 05	39
8 4800 25 07	24	8 4821 25 15	34	8 4861 25 05	35	8 6254 25 01	37
8 4800 25 08	24	8 4821 25 17	34	8 4861 25 06	35	8 6254 25 05	37
8 4800 25 12	25	8 4830 25 02	32	8 4861 25 07	35	8 6254 25 07	37
8 4800 25 13	25	8 4830 25 03	32	8 4861 25 08	35	8 6254 25 09	37
8 4800 25 14	25	8 4830 25 04	32	8 4861 25 12	36	8 6254 25 10	37
8 4800 25 15	25	8 4830 25 05	32	8 4861 25 13	36	8 6257 25 02	44
8 4800 25 16	25	8 4830 25 06	32	8 4861 25 14	36	8 6257 25 05	44
8 4800 25 17	25	8 4830 25 07	32	8 4861 25 15	36	8 6262 05	40
8 4800 25 18	25	8 4830 25 08	32	8 4861 25 17	36	8 6262 25 02	40
8 4801 25 02	25	8 4830 25 12	33	8 4870 25 02	35	8 6262 25 05	40
8 4801 25 03	25	8 4830 25 13	33	8 4870 25 03	35	8 6262 25 06	40
8 4801 25 04	25	8 4830 25 14	33	8 4870 25 04	35	8 6263 25 01	37
8 4801 25 05	25	8 4830 25 15	33	8 4870 25 05	35	8 6263 25 02	37
8 4801 25 06	25	8 4830 25 17	33	8 4870 25 06	35	8 6263 25 13	37
8 4801 25 07	25	8 4831 25 02	33	8 4870 25 07	35	8 6272 05	38
8 4801 25 08	25	8 4831 25 03	33	8 4870 25 08	35	8 6301 25 02	41
8 4801 25 12	26	8 4831 25 04	33	8 4870 25 12	36	8 6301 25 03	41
8 4801 25 13	26	8 4831 25 05	33	8 4870 25 13	36	8 6301 25 04	41
8 4801 25 14	26	8 4831 25 06	33	8 4870 25 14	36	8 6301 25 05	41
8 4801 25 15	26	8 4831 25 07	33	8 4870 25 15	36	8 6301 25 07	41
8 4801 25 16	26	8 4831 25 08	33	8 4870 25 17	36	8 6301 25 12	42
8 4801 25 17	26	8 4831 25 12	34	8 4871 25 02	35	8 6301 25 13	42
8 4801 25 18	26	8 4831 25 13	34	8 4871 25 03	35	8 6301 25 14	42
8 4810 25 02	32	8 4831 25 14	34	8 4871 25 04	35	8 6301 25 15	42
8 4810 25 03	32	8 4831 25 15	34	8 4871 25 05	35	8 6301 25 16	42
8 4810 25 04	32	8 4831 25 17	34	8 4871 25 06	35	8 6301 25 17	42
8 4810 25 05	32	8 4850 25 02	26	8 4871 25 07	35	8 6301 25 18	42
8 4810 25 06	32	8 4850 25 03	26	8 4871 25 08	35	8 6351 25 02	42
8 4810 25 07	32	8 4850 25 04	26	8 4871 25 12	36	8 6351 25 03	42
8 4810 25 08	32	8 4850 25 05	26	8 4871 25 13	36	8 6351 25 04	42
8 4810 25 12	33	8 4850 25 06	26	8 4871 25 14	36	8 6351 25 05	42
8 4810 25 13	33	8 4850 25 07	26	8 4871 25 15	36	8 6351 25 07	42
8 4810 25 14	33	8 4850 25 08	26	8 4871 25 17	36	8 6351 25 12	43
8 4810 25 15	33	8 4850 25 12	27	8 4880 25 02	35	8 6351 25 13	43
8 4810 25 17	33	8 4850 25 13	27	8 4880 25 03	35	8 6351 25 14	43
8 4811 25 02	32	8 4850 25 14	27	8 4880 25 04	35	8 6351 25 15	43
8 4811 25 03	32	8 4850 25 15	27	8 4880 25 05	35	8 6351 25 16	43
8 4811 25 04	32	8 4850 25 16	27	8 4880 25 06	35	8 6351 25 17	43
8 4811 25 05	32	8 4850 25 17	27	8 4880 25 07	35	8 6351 25 18	43
8 4811 25 06	32	8 4850 25 18	27	8 4880 25 08	35	9 1151 01	91
8 4811 25 07	32	8 4851 25 02	27	8 4880 25 12	36	9 1151 05	91
8 4811 25 08	32	8 4851 25 03	27	8 4880 25 13	36	9 1151 07	91
8 4811 25 12	34	8 4851 25 04	27	8 4880 25 14	36	9 1151 09	91
8 4811 25 13	34	8 4851 25 05	27	8 4880 25 15	36	9 1151 25 01	80
8 4811 25 14	34	8 4851 25 06	27	8 4880 25 17	36	9 1151 25 05	80
8 4811 25 15	34	8 4851 25 07	27	8 4881 25 02	35	9 1151 25 07	80
8 4811 25 17	34	8 4851 25 08	27	8 4881 25 03	35	9 1151 25 09	80
8 4820 25 02	32	8 4851 25 12	28	8 4881 25 04	35	9 1151 25 10	80
8 4820 25 03	32	8 4851 25 13	28	8 4881 25 05	35	9 1151 25 11	80
8 4820 25 04	32	8 4851 25 14	28	8 4881 25 06	35	9 1151 25 15	80
8 4820 25 05	32	8 4851 25 15	28	8 4881 25 07	35	9 1151 25 17	80
8 4820 25 06	32	8 4851 25 16	28	8 4881 25 08	35	9 1151 25 19	80
8 4820 25 07	32	8 4851 25 17	28	8 4881 25 12	37	9 1151 25 20	80
8 4820 25 08	32	8 4851 25 18	28	8 4881 25 13	37	9 1152 21	92
8 4820 25 12	33	8 4860 25 02	34	8 4881 25 14	37	9 1152 25	92
8 4820 25 13	33	8 4860 25 03	34	8 4881 25 15	37	9 1152 25 25	80
8 4820 25 14	33	8 4860 25 04	34	8 4881 25 17	37	9 1152 25 29	80
8 4820 25 15	33	8 4860 25 05	34	8 6185 05	40	9 1152 25 55	81
8 4820 25 17	33	8 4860 25 06	34	8 6185 25 01	40	9 1152 25 59	81
8 4821 25 02	33	8 4860 25 07	34	8 6185 25 02	40	9 1152 25 65	81
8 4821 25 03	33	8 4860 25 08	34	8 6185 25 05	40	9 1152 25 69	81
8 4821 25 04	33	8 4860 25 12	36	8 6195 05	41	9 1152 27	92
8 4821 25 05	33	8 4860 25 13	36	8 6195 25 02	41	9 1152 29	92
8 4821 25 06	33	8 4860 25 14	36	8 6195 25 05	41	9 1152 55	92
8 4821 25 07	33	8 4860 25 15	36	8 6195 25 06	41	9 1152 59	92

Technical Appendix

# Product summary

Order no.	Page	Order no.	Page	Order no.	Page	Order no.	Page
9 1152 65	92	9 1827 10	88	918 44	65	9 1978 25 28	100
9 1152 69	92	9 1827 18	88	9 1845 02	65	9 1978 25 45	100
9 1726 25 81	28	9 1827 25 01	74	9 1845 03	66	9 1987 25 02	75
9 1803 25 05	75	9 1827 25 05	74	918 53	78	9 1987 25 03	75
9 1803 25 07	75	9 1827 25 07	74	9 1853 01	79	9 1987 25 04	75
9 1803 25 09	75	9 1827 25 09	74	918 83	63	9 1987 25 05	75
9 1803 25 68	75	9 1827 25 10	74	9 1883 20	63	9 1987 25 06	75
9 1803 25 76	75	9 1827 25 18	74	918 87	63	9 1987 25 76	75
9 1803 25 90	75	9 1827 25 24	74	9 1887 01	63	9 1988 25 02	76
9 1803 25 94	75	9 1827 25 28	74	919 11	64	9 1988 25 03	76
9 1819 07	88	9 1827 25 38	74	9 1911 01	64	9 1988 25 04	76
9 1819 11	88	9 1827 25 58	74	9 1911 02	64	9 1988 25 05	76
9 1819 15	88	9 1827 25 68	77	919 12	64	9 1988 25 06	76
9 1819 19	88	9 1827 25 70	74	9 1912 01	64	9 1988 25 76	76
9 1819 25 07	75	9 1827 25 74	74	9 1915 01	64	9 1988 25 82	★ 77
9 1819 25 10	75	9 1827 25 76	74	9 1915 02	64	9 1988 25 83	★ 77
9 1819 25 11	75	9 1827 25 91	77	919 33	64	9 1988 25 84	★ 77
9 1819 25 15	75	9 1827 25 95	77	919 36	111	9 1988 25 86	★ 77
9 1819 25 18	75	9 1827 25 97	77	9 1941 05	110	9 1988 25 92	★ 77
9 1819 25 19	75	9 1827 25 99	77	9 1941 09	110	9 1988 25 93	★ 77
9 1819 25 24	75	9 1827 28	88	9 1941 18	110	9 1988 25 94	★ 77
9 1819 25 68	75	9 1827 38	88	9 1941 28	110	9 1988 25 96	★ 77
9 1819 25 70	75	9 1827 45	88	9 1942 05	111	9 2602 25 01	48
9 1819 25 74	75	9 1827 86	88	9 1942 09	111	9 2602 25 03	48
9 1819 25 76	75	9 1827 87	88	9 1942 18	111	9 2602 25 05	48
9 1819 45	88	9 1827 88	88	9 1942 28	111	9 2602 25 07	48
918 20	63	9 1827 91	89	9 1943 05	111	9 2602 25 09	48
9 1820 01	63	9 1827 95	89	9 1943 09	111	9 2603 25 01	48
9 1820 02	63	9 1827 97	89	9 1943 18	111	9 2603 25 03	48
9 1820 03	63	9 1827 99	89	9 1944 05	111	9 2603 25 05	48
9 1820 20	63	9 1828 01	89	9 1944 09	111	9 2603 25 07	48
9 1825 06	92	9 1828 05	89	9 1969 05	111	9 2603 25 09	48
9 1825 11	92	9 1828 07	89	9 1969 06	111	9 2610 25 05	47
9 1825 12	92	9 1828 09	89	9 1969 07	111	9 2610 25 09	47
9 1825 15	92	9 1828 18	89	9 1969 09	111	9 2620 25 05	★ 47
9 1825 25 06	81	9 1828 25 01	76	9 1969 18	111	9 2620 25 09	★ 47
9 1825 25 10	81	9 1828 25 05	76	9 1971 25 01	66	9 2891 25 01	62
9 1825 25 11	81	9 1828 25 07	76	9 1971 25 05	66	9 2891 25 05	62
9 1825 25 12	81	9 1828 25 09	76	9 1971 25 07	66	9 2891 25 06	62
9 1825 25 15	81	9 1828 25 10	76	9 1971 25 09	66	9 2891 25 09	62
9 1825 25 24	81	9 1828 25 18	76	9 1971 25 10	66	9 3651 05	54
9 1825 25 68	81	9 1828 25 24	76	9 1971 25 17	66	9 3651 07	54
9 1826 07	88	9 1828 25 28	76	9 1971 25 24	66	9 3651 09	54
9 1826 11	88	9 1828 25 38	76	9 1971 25 68	66	9 3651 18	54
9 1826 14	88	9 1828 25 45	100	9 1972 25 01	67	9 3651 25 01	54
9 1826 15	88	9 1828 25 68	78	9 1972 25 05	67	9 3651 25 05	54
9 1826 18	88	9 1828 25 70	76	9 1972 25 68	67	9 3651 25 07	54
9 1826 19	88	9 1828 25 74	76	9 1973 25 01	67	9 3651 25 09	54
9 1826 25 07	74	9 1828 25 76	76	9 1973 25 05	67	9 3651 25 10	54
9 1826 25 10	74	9 1828 25 78	76	9 1973 25 68	67	9 3651 25 18	54
9 1826 25 11	74	9 1828 25 86	78	9 1974 25 01	67	9 3651 25 24	54
9 1826 25 15	74	9 1828 25 90	78	9 1974 25 05	67	9 3651 25 28	54
9 1826 25 18	74	9 1828 25 91	78	9 1974 25 68	67	9 3651 25 45	54
9 1826 25 19	74	9 1828 25 94	78	9 1975 25 09	100	9 3651 25 68	54
9 1826 25 24	74	9 1828 25 95	78	9 1975 25 10	100	9 3651 28	54
9 1826 25 28	74	9 1828 25 97	78	9 1975 25 18	100	9 3651 38	54
9 1826 25 38	74	9 1828 25 99	78	9 1975 25 24	100	9 3651 45	54
9 1826 25 58	74	9 1828 28	89	9 1975 25 28	100	9 3652 05	56
9 1826 25 70	74	9 1828 45	89	9 1975 25 45	100	9 3652 07	56
9 1826 25 74	74	9 1828 75	90	9 1976 25 09	100	9 3652 09	56
9 1826 25 76	74	9 1828 77	90	9 1976 25 10	100	9 3652 25 01	56
9 1826 28	88	9 1828 79	90	9 1976 25 18	100	9 3652 25 05	56
9 1826 38	88	9 1828 86	89	9 1976 25 24	100	9 3652 25 07	56
9 1826 45	88	9 1828 90	89	9 1976 25 28	100	9 3652 25 09	56
9 1827 01	88	9 1828 91	89	9 1976 25 45	100	9 3652 25 10	56
9 1827 04	88	9 1828 94	89	9 1978 25 09	100	9 3652 25 18	56
9 1827 05	88	9 1828 95	89	9 1978 25 10	100	9 3652 25 24	56
9 1827 07	88	9 1828 97	89	9 1978 25 18	100	9 3652 25 28	56
9 1827 09	88	9 1828 99	89	9 1978 25 24	100	9 3652 25 45	56

Order no.	Page	Order no.	Page	Order no.	Page	Order no.	Page
9 3652 25 68	56	9 3671 25 18	58	9 3762 25 39	57	9 4560 25 06	49
9 3652 28	56	9 3671 25 24	58	9 3762 25 68	57	9 4561 25 02	49
9 3652 45	56	9 3671 25 28	58	9 3772 25 01	59	9 4562 25 05	49
9 3653 05	60	9 3671 25 45	58	9 3772 25 05	59	9 4570 25 05	45
9 3653 07	60	9 3671 25 68	58	9 3772 25 07	59	9 4570 25 15	45
9 3653 09	60	9 3671 28	58	9 3772 25 09	59	9 4571 25 01	45
9 3653 25 01	60	9 3675 05	59	9 4185 05	23	9 4571 25 05	45
9 3653 25 05	60	9 3675 07	59	9 4185 25	24	9 4571 25 07	45
9 3653 25 07	60	9 3675 09	59	9 4185 25 01	23	9 4571 25 09	45
9 3653 25 08	60	9 3675 25 01	59	9 4185 25 02	23	9 4572 25 01	46
9 3653 25 09	60	9 3675 25 05	59	9 4185 25 05	23	9 4572 25 02	46
9 3653 25 10	60	9 3675 25 07	59	9 4185 25 06	23	9 4572 25 03	46
9 3653 25 18	60	9 3675 25 08	59	9 4195 05	23	9 4572 25 05	× 46
9 3653 25 24	60	9 3675 25 09	59	9 4195 25 01	23	9 4573 25 02	46
9 3653 25 45	60	9 3675 25 10	59	9 4195 25 02	23	9 4573 25 05	× 46
9 3653 25 68	60	9 3675 25 18	59	9 4195 25 05	23	9 4574 25 02	46
9 3655 05	57	9 3675 25 24	59	9 4195 25 06	23	9 4574 25 05	46
9 3655 07	57	9 3675 25 45	59	9 4196 05	108	9 4581 25 01	49
9 3655 09	57	9 3675 25 68	59	9 4196 09	108	9 4581 25 02	49
9 3655 18	57	9 3681 05	110	9 4197 05	108	9 4581 25 03	49
9 3655 25 01	57	9 3681 09	110	9 4197 09	108	9 4581 25 05	49
9 3655 25 05	57	9 3681 18	110	9 4197 28	108	9 4581 25 06	49
9 3655 25 07	57	9 3681 68	110	9 4198 05	108	9 4582 25 01	50
9 3655 25 09	57	9 3682 05	110	9 4198 09	108	9 4582 25 02	50
9 3655 25 10	57	9 3682 09	110	9 4199 05	109	9 4582 25 03	50
9 3655 25 18	57	9 3686 05	110	9 4199 09	109	9 4582 25 05	50
9 3655 25 24	57	9 3686 09	110	9 4199 18	109	9 4582 25 06	50
9 3655 25 28	57	9 3686 18	110	9 4199 28	109	9 4583 25 01	50
9 3655 25 38	57	9 3686 28	110	9 4296 03	142	9 4583 25 02	50
9 3655 25 45	57	9 3695 25 01	61	9 4296 05	142	9 4583 25 03	50
9 3655 25 68	57	9 3695 25 05	61	9 4296 06	142	9 4583 25 05	50
9 3655 28	57	9 3695 25 07	61	9 4296 19	142	9 4583 25 06	50
9 3655 38	57	9 3695 25 09	61	9 4509 05	62	9 4713 25 02	30
9 3656 05	55	9 3695 25 10	61	9 4509 25 02	62	9 4713 25 03	30
9 3656 07	55	9 3695 25 18	61	9 4509 25 05	62	9 4713 25 04	30
9 3656 09	55	9 3695 25 28	61	9 4511 15	48	9 4713 25 05	30
9 3656 18	55	9 3695 25 68	61	9 4511 25 11	48	9 4713 25 06	30
9 3656 25 01	55	9 3696 25 05	61	9 4511 25 12	48	9 4713 25 76	30
9 3656 25 05	55	9 3696 25 18	61	9 4511 25 15	48	9 4778 25 01	22
9 3656 25 07	55	9 3696 25 28	61	9 4516 05	65	9 4778 25 02	22
9 3656 25 09	55	9 3696 25 68	61	9 4516 25 01	65	9 4778 25 03	22
9 3656 25 10	55	9 3697 25 05	61	9 4516 25 05	65	9 4778 25 05	22
9 3656 25 18	55	9 3697 25 10	61	9 4516 25 07	65	9 4778 25 06	22
9 3656 25 24	55	9 3697 25 18	60	9 4516 25 09	65	9 4779 25 01	22
9 3656 25 28	55	9 3697 25 38	61	9 4516 25 10	65	9 4779 25 02	22
9 3656 25 38	55	9 3699 25 01	60	9 4516 25 24	65	9 4779 25 03	22
9 3656 25 45	55	9 3699 25 05	60	9 4516 25 45	65	9 4779 25 05	22
9 3656 25 68	55	9 3699 25 07	60	9 4517 05	44	9 4779 25 06	22
9 3656 28	55	9 3699 25 09	60	9 4517 25 01	44	9 6185 05	40
9 3656 45	55	9 3699 25 10	60	9 4517 25 05	44	9 6185 25 01	40
9 3657 09	55	9 3699 25 28	60	9 4517 25 07	44	9 6185 25 02	40
9 3657 25 01	55	9 3699 25 68	60	9 4517 25 09	44	9 6185 25 05	40
9 3657 25 05	55	9 3699 25 75	61	9 4519 05	49	9 6185 25 06	40
9 3657 25 07	55	9 3699 25 78	61	9 4519 25 01	49	9 6194 05	43
9 3657 25 09	55	9 3752 05	56	9 4519 25 02	49	9 6194 25 02	43
9 3657 25 10	55	9 3752 07	56	9 4519 25 05	49	9 6194 25 05	43
9 3657 25 24	55	9 3752 09	56	9 4519 25 06	49	9 6194 25 06	43
9 3657 25 28	55	9 3752 25 01	56	9 4557 05	52	9 6195 05	41
9 3657 25 68	55	9 3752 25 05	56	9 4557 25 05	52	9 6195 25 01	41
9 3665 25 18	59	9 3752 25 07	56	9 4557 25 07	52	9 6195 25 02	41
9 3671 05	58	9 3752 25 09	56	9 4557 25 09	52	9 6195 25 05	41
9 3671 07	58	9 3752 25 10	56	9 4559 05	52	9 6195 25 06	41
9 3671 09	58	9 3752 25 24	56	9 4559 25 05	52	9 6198 05	109
9 3671 18	58	9 3752 25 68	56	9 4559 25 07	52	9 6198 09	109
9 3671 25 01	58	9 3762 25 10	57	9 4559 25 09	52	9 6199 05	109
9 3671 25 05	58	9 3762 25 18	57	9 4560 05	49	9 6199 18	109
9 3671 25 07	58	9 3762 25 24	57	9 4560 25 01	49	9 6199 28	109
9 3671 25 09	58	9 3762 25 31	57	9 4560 25 02	49	9 6249 05	39
9 3671 25 10	58	9 3762 25 35	57	9 4560 25 05	49	9 6249 25 01	39

Technical Appendix



# Product summary

Order no.	Page	Order no.	Page	Order no.	Page	Order no.	Page
9 6249 25 02	39	WS121E	159				
9 6249 25 05	39	WS121N	159				
9 6249 25 06	39	WS121V	159				
9 6251 25 02	39	WS122	160				
9 6251 25 03	39	WS122E	160				
9 6251 25 05	39	WS122N	160				
9 6254 25 01	37	WS122V	160				
9 6254 25 07	37	WS123	160				
9 6254 25 09	37	WS123E	160				
9 6254 25 10	37	WS123N	160				
9 6256 05	38	WS123R	160				
9 6256 25 01	38	WS123V	160				
9 6256 25 02	38	WS160	158				
9 6256 25 05	38	WS160E	158				
9 6256 25 06	38	WS160N	158				
9 6257 25 01	44	WS160V	158				
9 6257 25 02	44	WS162	158				
9 6257 25 03	44	WS172	158				
9 6257 25 05	44	WS172E	158				
9 6257 25 06	44	WS172N	158				
9 6258 05	38	WS172V	158				
9 6258 25 01	38	WS173	159				
9 6258 25 02	38	WS173E	159				
9 6258 25 05	38	WS173N	159				
9 6258 25 06	38	WS173V	159				
9 6259 25 01	39	WS185	158				
9 6259 25 02	39	WS186	159				
9 6259 25 03	39	WS225	165				
9 6259 25 05	39	WS226	166				
9 6259 25 06	39	WS260	163				
9 6262 05	40	WS261	165				
9 6262 25 01	40	WS262	164				
9 6262 25 02	40	WS263	164				
9 6262 25 05	40	WS264	164				
9 6262 25 06	40	WS265	165				
9 6263 25 01	37	WS266	163				
9 6263 25 02	37	WS267	163				
9 6263 25 13	37	WS274	164				
9 6272 05	38	WS276	164				
9 6272 25 02	38	WS278	163				
9 6272 25 05	38	WS279	165				
9 6272 25 06	38	WS688	161				
		WS689	161				
		WS697	161				
OLFR1501509010BE1	189						
OLFR1501509010BE2	189						
OLFR1501509011BE1	189						
OLFR2002009010BE1	189						
OLFR2002009010BE2	189						
OLFR2002009011BE1	189						
OLFR2003509010BE1	189						
OLFR2003509010BE2	189						
OLFR2003509011BE1	189						
OLFR701209010BE1	189						
OLFR701209010BE2	189						
OLFR701209011BE1	189						
WS001	161						
WS002	162						
WS006	162						
WS032	162						
WS100	159						
WS100E	159						
WS100N	159						
WS100V	159						
WS105	161						
WS106	160						
WS110	162						
WS120	161						
WS121	159						





# Notes

---



calpe

**B.****Berker** Business Solutions**Berker GmbH & Co. KG**Zum Gunterstal  
66440 BlieskastelRevierstraße 21  
44379 Dortmund  
Telefon: +49 (0) 231 /935050 - 3211  
Fax: +49 (0) 231 /935050 - 3116vi.info@berker.de  
**berker-business-solutions.de**