

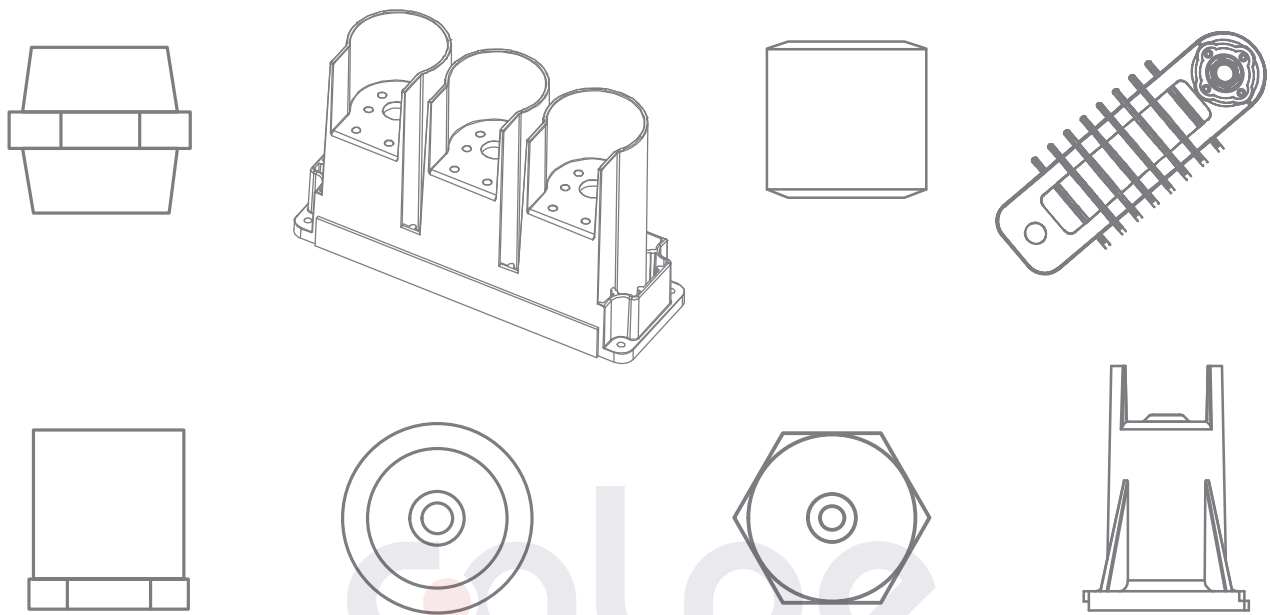


03

LV INSULATORS TYPE SK, SR, RD, 1N

Material Data

- Glassfiber reinforced polyester (UP), glass content 18%
- Self-extinguishing, halogen free, RoHS-compliant



Specific weight	ASTM D-792, DIN 53479	1.80 g/cm ³
Heat Distortion Temperature	ISO 75	> 200°C
Flexural strength	DIN EN ISO 178	90 N/mm ²
Impact strength	DIN EN ISO 179	25-30 kJ/m ²
Flammability	UL 94	V0
Glow-Wire Flammability	DIN EN 60695	960°C
Temperature range		-40°C +130°C
Surface resistivity	DIN IEC 60093	10 ¹² Ω
Volume resistivity	DIN IEC 60093	10 ¹⁴ Ωcm
Dielectric strength	DIN EN 60243-1	15-18 kV/mm
Tracking resistance	DIN IEC 60112	CTI 600
Water absorption	DIN EN ISO 62	< 0.2 % (<25 mg)

All data given have been determined with standardized test specimens according to applicable material standards. Data and information are given only as a guide and are not binding. No guarantee can be assumed in all situations.

LV INSULATORS

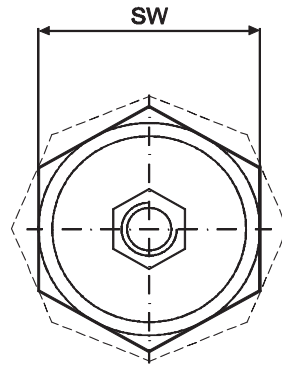
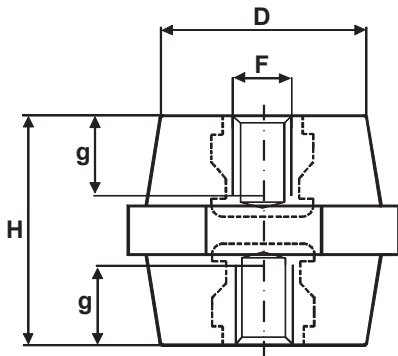
TYPE SK

Colour: Brown

05

Technical Data

- **Threads:** steel zinc coated (upon request brass, stainless steel, 8.8 grade steel)
- **Upon request:** steel bolts



Type	Dimensions (mm)					Service Voltage AC kV	Service Voltage DC kV	Test Voltage AC kV	Bending Strength kN	Tensile Strength kN	Max. Tightening Torque Nm	Torque Strength Nm	Weight kg/100 pcs.	Box Qty.
	H	F	SW	D	g									
SK-201705	20	M5	Hex 17	15	5	0.6	0.8	3	1	2	3	6	1.25	100
SK-201706	20	M6	Hex 17	15	5	0.6	0.8	3	1	2	3	10	1.25	100
SK-252205	25	M5	Hex 22	18	6	1	1.2	6	1	3	2.5	10	2.00	100
SK-252206	25	M6	Hex 22	18	6	1	1.2	6	1	3	4.5	15	2.00	100
SK-252505	25	M5	Hex 25	22	6	1	1.2	6	1.5	4.5	3	15	2.75	100
SK-252506	25	M6	Hex 25	22	6	1	1.2	6	1.5	4	4.5	20	2.80	100
SK-303006	30	M6	Hex 30	26	6	1.5	1.8	10	3	6	12	20	5.40	80
SK-303008	30	M8	Hex 30	26	8	1.5	1.8	10	3	7	20	40	5.30	80
SK-303010	30	M10	Hex 30	26	9	1.5	1.8	10	3	6	30	40	5.10	80
SK-304008	30	M8	Hex 40	36	9	1.5	1.8	10	5	9	20	50	8.50	100
SK-304010	30	M10	Hex 40	36	9	1.5	1.8	10	4	7	40	70	8.80	100
SK-353008	35	M8	Hex 30	25	10	1.5	1.8	12	3	5	20	50	6.75	100
SK-353010	35	M10	Hex 30	25	10	1.5	1.8	12	4	9	40	60	6.80	100
SK-353206	35	M6	Hex 32	28	8	1.5	1.8	12	4.5	8	12	20	7.00	100
SK-353208	35	M8	Hex 32	28	10	1.5	1.8	12	5	8	20	50	7.20	100
SK-353210	35	M10	Hex 32	28	10	1.5	1.8	12	5	8	40	70	6.90	100
SK-353508	35	M8	Oct 35	30	10	1.5	1.8	12	5	6.5	20	50	7.80	100
SK-353510	35	M10	Oct 35	30	10	1.5	1.8	12	5	7	40	75	8.00	100
SK-354010	35	M10	Oct 40	35	10	1.5	1.8	12	5	7	40	75	8.80	100
SK-403006	40	M6	Hex 30	26	8	2	2.4	15	2	6	12	20	6.90	60
SK-403008	40	M8	Hex 30	26	10	2	2.4	15	3.5	10	16	45	7.00	60
SK-403610	40	M10	Hex 36	32	12	2	2.4	15	6	10	40	75	10.80	100
SK-404006	40	M6	Hex 40	35	8	2	2.4	15	4.5	6	12	20	10.20	75
SK-404008	40	M8	Hex 40	35	10	2	2.4	15	6	12	20	50	10.70	75
SK-404010	40	M10	Hex 40	35	12	2	2.4	15	6	10	40	75	11.50	75
SK-404012	40	M12	Hex 40	35	11	2	2.4	15	7.5	11	40	90	11.80	75
SK-404610	40	M10	Hex 46	40	12	2	2.4	15	8	11	40	80	14.00	50
SK-405010	40	M10	Hex 50	44	12	2	2.4	15	8	11	40	80	13.20	50
SK-405012	40	M12	Hex 50	44	11	2	2.4	15	8.5	14	70	125	14.00	50
SK-454612	45	M12	Hex 46	38	15	2	2.4	11	8	11	40	100	16.00	50
SK-503608	50	M8	Hex 36	29	10	2	2.4	15	4.5	9	20	50	10.90	80
SK-503610	50	M10	Hex 36	29	14	2	2.4	15	4.5	9	40	75	12.20	80
SK-503612	50	M12	Hex 36	29	15	2	2.4	15	4.5	9	30	80	13.00	80
SK-504008	50	M8	Hex 40	28	10	2	2.4	15	5	11	20	40	13.80	50
SK-504010	50	M10	Hex 40	28	14	2	2.4	15	6	13	40	90	14.00	50
SK-504012	50	M12	Hex 40	28	15	2	2.4	15	6	16	40	100	14.10	50
SK-505010	50	M10	Hex 50	42	14	2	2.4	15	7	15	40	90	19.00	50
SK-505012	50	M12	Hex 50	42	15	2	2.4	15	9	15	70	125	20.10	50
SK-604008	60	M8	Hex 40	28	10	3	3.6	20	4	14	20	50	15.00	50
SK-604010	60	M10	Hex 40	28	14	3	3.6	20	4.5	20	40	90	16.20	50
SK-604012	60	M12	Hex 40	28	15	3	3.6	20	5	16	40	90	16.40	50
SK-605010	60	M10	Hex 50	42	14	3	3.6	15	7	18	40	90	25.40	32
SK-605012	60	M12	Hex 50	42	18	3	3.6	15	8	20	70	140	26.00	32
SK-605512	60	M12	Hex 55	43	20	3	3.6	15	10	22	70	140	27.20	50
SK-606010	60	M10	Oct 60	43	14	3	3.6	15	6	18	40	90	38.00	24
SK-606012	60	M12	Oct 60	43	18	3	3.6	15	11	25	70	140	38.50	24
SK-606016	60	M16	Oct 60	43	20	3	3.6	15	14	28	95	190	36.50	24
SK-754610	75	M10	Hex 46	36	17	3	3.6	20	4	16	40	90	23.10	50
SK-754612	75	M12	Hex 46	36	20	3	3.6	20	7	12	70	125	25.00	50
SK-1006512	100	M12	Hex 65	52	18	5	6	26	9	30	70	140	64.80	9