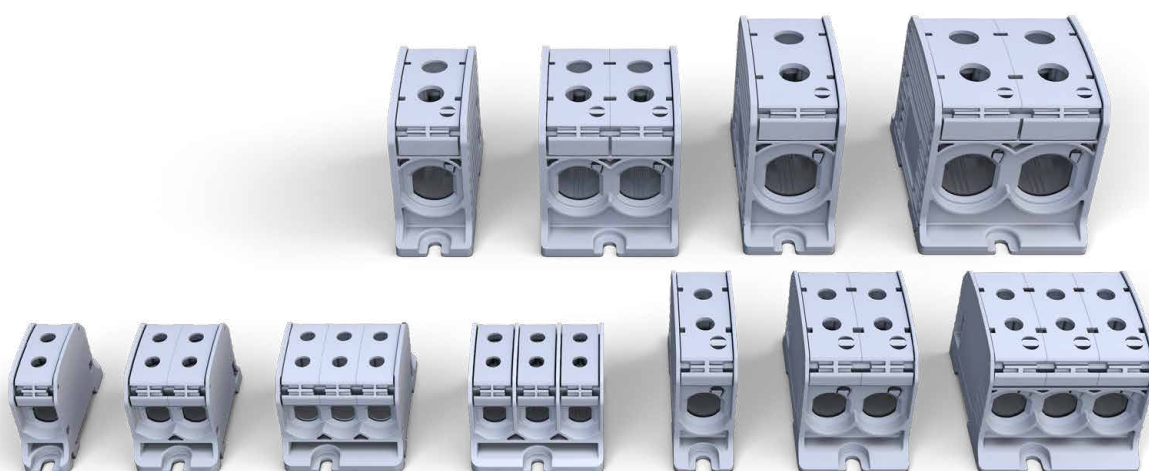


# HORA

---

eTec

## Technical data sheets RKA-series



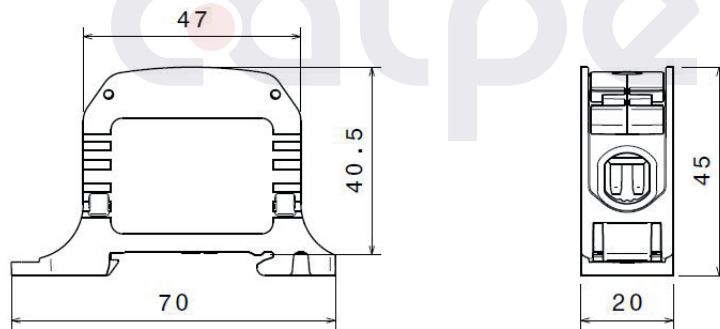
## Technical data

|               |                       |
|---------------|-----------------------|
| Description:  | Terminal block RKA 50 |
| Construction: | Fingersafe IP 20      |
| Item no. :    | 087310                |

|                            |                                                      |                            |
|----------------------------|------------------------------------------------------|----------------------------|
| Remarks:                   | The product is compliant with the EC ROHS directives |                            |
| Standards:                 | IEC 60947-7-1, IEC 61238-1                           | UL 1059, CSA-C22.2 No. 158 |
|                            |                                                      |                            |
| Nominal Voltage:           | 1.000 V AC / 1.000 V DC                              | 600 V AC                   |
| Nominal current:           | Cu 150 A, Al 150 A                                   | Cu 150 A, Al 120 A         |
| Rated cross-section:       | 50 mm <sup>2</sup>                                   | AWG 1/0                    |
| Impulse withstand voltage: | 8 kV                                                 |                            |
| Pollution degree:          | 3                                                    |                            |
| Surge voltage category:    | III                                                  |                            |
| CTI value:                 | 550                                                  | 550                        |

| Terminal cross section: | no. of connections: 2 x 50 mm <sup>2</sup> (all conductor types) |      |             | no. of connections: 2 x AWG 1/0 (all conductor types) |       |       |
|-------------------------|------------------------------------------------------------------|------|-------------|-------------------------------------------------------|-------|-------|
|                         | IEC 60947-7-1                                                    |      | IEC 61238-1 | UL 1059, CSA-C22.2 No. 158                            |       |       |
|                         | Cu                                                               |      | Al          |                                                       |       |       |
|                         |                                                                  |      |             |                                                       |       |       |
| 50 mm <sup>2</sup>      | 10 Nm                                                            | -    | 14 Nm       | 14 Nm                                                 | 14 Nm | 14 Nm |
| 35 mm <sup>2</sup>      | 10 Nm                                                            | -    | 14 Nm       |                                                       |       |       |
| 25 mm <sup>2</sup>      | 8 Nm                                                             | 8 Nm | 12 Nm       |                                                       |       |       |
| 16 mm <sup>2</sup>      | 8 Nm                                                             | 8 Nm | 10 Nm       |                                                       |       |       |
| 10 mm <sup>2</sup>      | 6 Nm                                                             | 6 Nm | -           |                                                       |       |       |
| 6 mm <sup>2</sup>       | -                                                                | 6 Nm | -           |                                                       |       |       |
| 4 mm <sup>2</sup>       | -                                                                | -    | -           |                                                       |       |       |
| stripping length        | 16 mm                                                            |      |             | 16 mm                                                 |       |       |
| allen screw             | M10 (SW 5 mm)                                                    |      |             | M10 (SW 5 mm)                                         |       |       |

|                   |                                          |              |
|-------------------|------------------------------------------|--------------|
| Materials:        | Terminal body: Aluminium                 | tin plated   |
|                   | Housing: PA 6 (Halogen-free)             |              |
|                   | Screws: Steel                            | zinc plated  |
| Flame resistance: | Self-extinguishing                       |              |
| Mechanical data:  | Dimensions: width x height x depth (mm): | 20 x 45 x 70 |



### Design

Basic housing colour – light grey RAL 7035

| Part no.   | Design | Cover colour          | PU     | GTIN (EAN)    |
|------------|--------|-----------------------|--------|---------------|
| 087310-0-3 | L G    | light grey RAL 7035   | 9 / 72 | 4051589873109 |
| 087310-1-3 | N      | light blue RAL 5012   | 9 / 72 | 4051589873116 |
| 087310-2-3 | PE     | yellow-green RAL 6018 | 9 / 72 | 4051589873123 |
| 087310-3-3 | LB     | clay brown RAL 8003   | 9 / 72 | 4051589873130 |
| 087310-4-3 | LS     | jet black RAL 9005    | 9 / 72 | 4051589873147 |

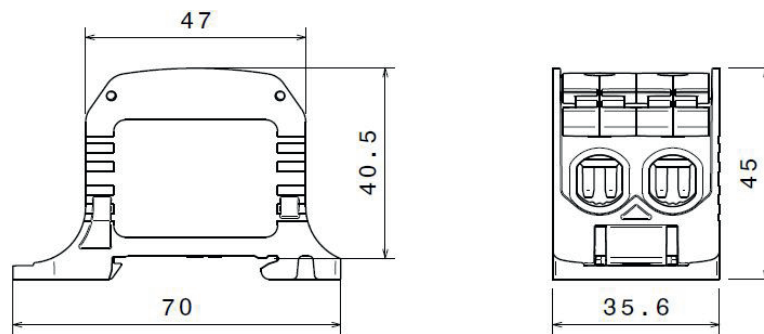
## Technical data

|               |                         |
|---------------|-------------------------|
| Description:  | Terminal block RKA 50 D |
| Construction: | Fingersafe IP 20        |
| Item no. :    | 087320                  |

|                            |                                                      |                            |
|----------------------------|------------------------------------------------------|----------------------------|
| Remarks:                   | The product is compliant with the EC ROHS directives |                            |
| Standards:                 | IEC 60947-7-1, IEC 61238-1                           | UL 1059, CSA-C22.2 No. 158 |
|                            |                                                      |                            |
| Nominal Voltage:           | 1.000 V AC / 1.000 V DC                              | 600 V AC                   |
| Nominal current:           | Cu 150 A, Al 150 A                                   | Cu 150 A, Al 120 A         |
| Rated cross-section:       | 50 mm <sup>2</sup>                                   | AWG 1/0                    |
| Impulse withstand voltage: | 8 kV                                                 |                            |
| Pollution degree:          | 3                                                    |                            |
| Surge voltage category:    | III                                                  |                            |
| CTI value:                 | 550                                                  | 550                        |

|                    | no. of connections: 4 x 50 mm <sup>2</sup> (all conductor types) |       |             | no. of connections: 4 x AWG 1/0 (all conductor types) |       |       |
|--------------------|------------------------------------------------------------------|-------|-------------|-------------------------------------------------------|-------|-------|
|                    | IEC 60947-7-1                                                    |       | IEC 61238-1 | UL 1059, CSA-C22.2 No. 158                            |       |       |
|                    | Cu                                                               |       | Al          | Cu                                                    |       | Al    |
|                    |                                                                  |       |             |                                                       |       |       |
| 50 mm <sup>2</sup> | 10 Nm                                                            | -     | 14 Nm       | 14 Nm                                                 | 14 Nm | 14 Nm |
| 35 mm <sup>2</sup> | -                                                                | 10 Nm | -           |                                                       |       |       |
| 25 mm <sup>2</sup> | 8 Nm                                                             | 8 Nm  | 12 Nm       |                                                       |       |       |
| 16 mm <sup>2</sup> | -                                                                | 6 Nm  | -           |                                                       |       |       |
| 10 mm <sup>2</sup> | 6 Nm                                                             | 6 Nm  | -           |                                                       |       |       |
| 6 mm <sup>2</sup>  | -                                                                | -     | -           |                                                       |       |       |
| 4 mm <sup>2</sup>  | -                                                                | -     | -           |                                                       |       |       |
| stripping length   | 16 mm                                                            |       |             | 16 mm                                                 |       |       |
| allen screw        | M10 (SW 5 mm)                                                    |       |             | M10 (SW 5 mm)                                         |       |       |

|                   |                                          |                |
|-------------------|------------------------------------------|----------------|
| Materials:        | Terminal body: Aluminium                 | tin plated     |
|                   | Housing: PA 6 (Halogen-free)             |                |
|                   | Screws: Steel                            | zinc plated    |
| Flame resistance: | Self-extinguishing                       |                |
| Mechanical data:  | Dimensions: width x height x depth (mm): | 35,6 x 45 x 70 |



### Design

Basic housing colour – light grey RAL 7035

| Part no.   | Design | Cover colour          | PU   | GTIN (EAN)    |
|------------|--------|-----------------------|------|---------------|
| 087320-0-3 | L G    | light grey RAL 7035   | 5/40 | 4051589873208 |
| 087320-1-3 | N      | light blue RAL 5012   | 5/40 | 4051589873215 |
| 087320-2-3 | PE     | yellow-green RAL 6018 | 5/40 | 4051589873222 |
| 087320-3-3 | LB     | clay brown RAL 8003   | 5/40 | 4051589873239 |
| 087320-4-3 | L S    | jet black RAL 9005    | 5/40 | 4051589873246 |

calpe INDUSTRIAL MARINE RAILWAY Calpani + 31 (0)342 - 45 15 44 Barneveld



## Technical data

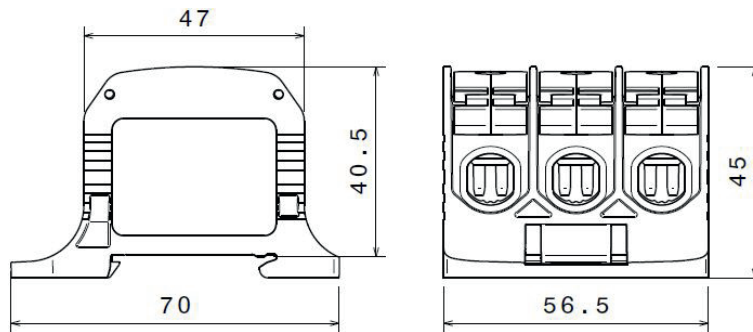
|               |                                |
|---------------|--------------------------------|
| Description:  | Terminal block RKA 50 - 3 pole |
| Construction: | Fingersafe IP 20               |
| Item no. :    | 087330                         |

|                            |                                                      |                            |
|----------------------------|------------------------------------------------------|----------------------------|
| Remarks:                   | The product is compliant with the EC ROHS directives |                            |
| Standards:                 | IEC 60947-7-1, IEC 61238-1                           | UL 1059, CSA-C22.2 No. 158 |
|                            |                                                      |                            |
| Nominal Voltage:           | 1.000 V AC / 1.000 V DC                              | 600 V AC                   |
| Nominal current:           | Cu 150 A, Al 150 A                                   | Cu 150 A, Al 120 A         |
| Rated cross-section:       | 50 mm <sup>2</sup>                                   | AWG 1/0                    |
| Impulse withstand voltage: | 8 kV                                                 |                            |
| Pollution degree:          | 3                                                    |                            |
| Surge voltage category:    | III                                                  |                            |
| CTI value:                 | 550                                                  | 550                        |

| Terminal cross section: | no. of connections: 2 x 50 mm <sup>2</sup> (all conductor types) per pole |       |             | no. of connections: 2 x AWG 1/0 (all conductor types) per pole |       |       |
|-------------------------|---------------------------------------------------------------------------|-------|-------------|----------------------------------------------------------------|-------|-------|
|                         | IEC 60947-7-1                                                             |       | IEC 61238-1 | UL 1059, CSA-C22.2 No. 158                                     |       |       |
|                         | Cu                                                                        |       | Al          | Cu                                                             |       |       |
|                         |                                                                           |       |             |                                                                |       |       |
| 50 mm <sup>2</sup>      | 10 Nm                                                                     | -     | 14 Nm       | 14 Nm                                                          | 14 Nm | 14 Nm |
| 35 mm <sup>2</sup>      | -                                                                         | 10 Nm | -           |                                                                |       |       |
| 25 mm <sup>2</sup>      | 8 Nm                                                                      | 8 Nm  | 12 Nm       |                                                                |       |       |
| 16 mm <sup>2</sup>      | -                                                                         | 6 Nm  | -           |                                                                |       |       |
| 10 mm <sup>2</sup>      | 6 Nm                                                                      | 6 Nm  | -           |                                                                |       |       |
| 6 mm <sup>2</sup>       | -                                                                         | -     | -           |                                                                |       |       |
| 4 mm <sup>2</sup>       | -                                                                         | -     | -           |                                                                |       |       |
| stripping length        | 16 mm                                                                     |       |             | 16 mm                                                          |       |       |
| allen screw             | M10 (SW 5 mm)                                                             |       |             | M10 (SW 5 mm)                                                  |       |       |

compact stranded      fine stranded with ferrule

|                   |                              |                                             |
|-------------------|------------------------------|---------------------------------------------|
| Materials:        | Terminal body: Aluminium     | tin plated                                  |
|                   | Housing: PA 6 (Halogen-free) |                                             |
|                   | Screws: Steel                | zinc plated                                 |
| Flame resistance: | Self-extinguishing           |                                             |
| Mechanical data:  | Dimensions:                  | width x height x depth (mm): 56,5 x 45 x 70 |



### Design

Basic housing colour – light grey RAL 7035

| Part no.   | Design     | Cover colour | PU     | GTIN (EAN)    |
|------------|------------|--------------|--------|---------------|
| 087330-0-3 | 3L         |              | 3 / 24 | 4051589873307 |
| 087330-1-3 | L / N / PE |              | 3 / 24 | 4051589873314 |
| 087330-2-3 | PE / L / N |              | 3 / 24 | 4051589873321 |
| 087330-5-3 | 3L BSG     |              | 3 / 24 | 4051589873352 |

INDUSTRIAL MARINE RAILWAY  
 calpe  
 Calpani | + 31 (0)342 - 45 15 44 | Barneveld

## Technical data

|               |                       |
|---------------|-----------------------|
| Description:  | Terminal block RKA 95 |
| Construction: | Fingersafe IP 20      |
| Item no. :    | 087510                |

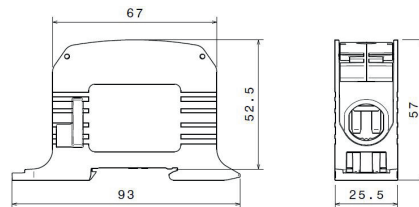
|                            |                                                      |                            |
|----------------------------|------------------------------------------------------|----------------------------|
| Remarks:                   | The product is compliant with the EC ROHS directives |                            |
| Standards:                 | IEC 60947-7-1, IEC 61238-1                           | UL 1059, CSA-C22.2 No. 158 |
|                            |                                                      |                            |
| Nominal Voltage:           | 1.000 V AC / 1.000 V DC                              | 600 V AC                   |
| Nominal current:           | Cu 232 A, Al 200 A                                   | Cu 200 A, Al 155 A         |
| Rated cross-section:       | 95 mm <sup>2</sup>                                   | AWG 3/0                    |
| Impulse withstand voltage: | 8 kV                                                 |                            |
| Pollution degree:          | 3                                                    |                            |
| Surge voltage category:    | III                                                  |                            |
| CTI value:                 | 550                                                  | 550                        |

| Terminal cross section: | no. of connections: 2 x 95 mm <sup>2</sup> (all conductor types) |       |             | no. of connections: 2 x AWG 3/0 (all conductor types) |         |         |
|-------------------------|------------------------------------------------------------------|-------|-------------|-------------------------------------------------------|---------|---------|
|                         | IEC 60947-7-1                                                    |       | IEC 61238-1 | UL 1059, CSA-C22.2 No. 158                            |         |         |
|                         | Cu                                                               |       | Al          | Cu                                                    |         |         |
|                         |                                                                  |       |             |                                                       |         |         |
| 95 mm <sup>2</sup>      |                                                                  |       |             |                                                       |         |         |
| 70 mm <sup>2</sup>      | 19 Nm                                                            | -     | 22,6 Nm     | AWG 3/0                                               | 22,6 Nm | 22,6 Nm |
| 50 mm <sup>2</sup>      |                                                                  | 19 Nm |             | AWG 2/0                                               |         |         |
| 35 mm <sup>2</sup>      | 14 Nm                                                            | 14 Nm |             | AWG 1/0                                               | -       | -       |
| 25 mm <sup>2</sup>      |                                                                  | 14 Nm | AWG 2       |                                                       |         |         |
| 16 mm <sup>2</sup>      | -                                                                | -     | AWG 4       | -                                                     | -       | -       |
| 10 mm <sup>2</sup>      | -                                                                | -     | AWG 6       | -                                                     | -       | -       |
| stripping length        | 26 mm                                                            |       |             | 26 mm                                                 |         |         |
| allen screw             | M14 (SW 6 mm)                                                    |       |             | M14 (SW 6 mm)                                         |         |         |

| Measurement connection: | no. of connections: 1 x 10 mm <sup>2</sup> (all conductor types) |        |             | no. of connections: 1 x AWG 8 (all conductor types) |        |        |
|-------------------------|------------------------------------------------------------------|--------|-------------|-----------------------------------------------------|--------|--------|
|                         | IEC 60947-7-1                                                    |        | IEC 61238-1 | UL 1059, CSA-C22.2 No. 158                          |        |        |
|                         | Cu                                                               |        | Al          | Cu                                                  |        |        |
|                         |                                                                  |        |             |                                                     |        |        |
| 10 mm <sup>2</sup>      |                                                                  |        |             | AWG 8                                               |        |        |
| 6 mm <sup>2</sup>       | 1,2 Nm                                                           | -      | -           | AWG 10                                              | 2,3 Nm | 2,3 Nm |
| 4 mm <sup>2</sup>       |                                                                  | 1,2 Nm |             | AWG 12                                              |        |        |
| 2,5 mm <sup>2</sup>     | -                                                                | -      |             | AWG 14                                              | -      | -      |
| 1,5 mm <sup>2</sup>     | -                                                                | -      | AWG 16      | -                                                   | -      | -      |
| stripping length        | 10 mm                                                            |        |             | 10 mm                                               |        |        |
| screw                   | M4 (+/- PZ2)                                                     |        |             | M4 (+/- PZ2)                                        |        |        |

|            |                              |             |
|------------|------------------------------|-------------|
| Materials: | Terminal body: Aluminium     | tin plated  |
|            | Housing: PA 6 (Halogen-free) | zinc plated |
|            | Screws: Steel                | zinc plated |

|                   |                                                         |
|-------------------|---------------------------------------------------------|
| Flame resistance: | Self-extinguishing                                      |
| Mechanical data:  | Dimensions: width x height x depth (mm): 25,5 x 57 x 93 |



### Design

Basic housing colour – light grey RAL 7035

| Part no.   | Design | Cover colour          | PU     | GTIN (EAN)    |
|------------|--------|-----------------------|--------|---------------|
| 087510-0-3 | L G    | light grey RAL 7035   | 2 / 36 | 4051589875103 |
| 087510-1-3 | N      | light blue RAL 5012   | 2 / 36 | 4051589875110 |
| 087510-2-3 | PE     | yellow-green RAL 6018 | 2 / 36 | 4051589875127 |
| 087510-3-3 | LB     | clay brown RAL 8003   | 2 / 36 | 4051589875134 |
| 087510-4-3 | LS     | jet black RAL 9005    | 2 / 36 | 4051589875141 |

# Technical data

|               |                         |            |
|---------------|-------------------------|------------|
| Description:  | Terminal block RKA 95 D |            |
| Construction: | Fingersafe IP 20        |            |
| Item no. :    | 087520                  | 11.12.2017 |

|                            |                                                      |                            |
|----------------------------|------------------------------------------------------|----------------------------|
| Remarks:                   | The product is compliant with the EC ROHS directives |                            |
| Standards:                 | IEC 60947-7-1                                        | UL 1059, CSA-C22.2 No. 158 |
|                            |                                                      |                            |
| Nominal Voltage:           | 1.000 V AC / 1.000 V DC                              | 600 V AC                   |
| Nominal current:           | Cu 232 A                                             | Cu 200 A, Al 155 A         |
| Rated cross-section:       | 95 mm <sup>2</sup>                                   | AWG 3/0                    |
| Impulse withstand voltage: | 8 kV                                                 |                            |
| Pollution degree:          | 3                                                    |                            |
| Surge voltage category:    | III                                                  |                            |
| CTI value:                 | 550                                                  | 550                        |

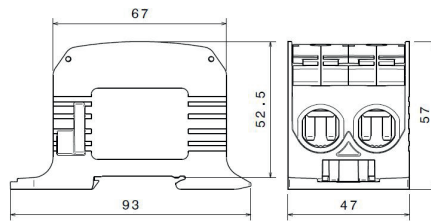
|                         |                                                                  |  |       |                                                       |  |         |
|-------------------------|------------------------------------------------------------------|--|-------|-------------------------------------------------------|--|---------|
| Terminal cross section: | no. of connections: 4 x 95 mm <sup>2</sup> (all conductor types) |  |       | no. of connections: 4 x AWG 3/0 (all conductor types) |  |         |
|                         | IEC 60947-7-1                                                    |  |       | UL 1059, CSA-C22.2 No. 158                            |  |         |
|                         | Cu                                                               |  |       | Cu                                                    |  |         |
|                         |                                                                  |  |       |                                                       |  |         |
| 95 mm <sup>2</sup>      |                                                                  |  | -     |                                                       |  |         |
| 70 mm <sup>2</sup>      | 19 Nm                                                            |  | 19 Nm |                                                       |  |         |
| 50 mm <sup>2</sup>      |                                                                  |  |       | 22,6 Nm                                               |  | 22,6 Nm |
| 35 mm <sup>2</sup>      |                                                                  |  |       |                                                       |  |         |
| 25 mm <sup>2</sup>      | 14 Nm                                                            |  | 14 Nm |                                                       |  |         |
| 16 mm <sup>2</sup>      |                                                                  |  |       |                                                       |  |         |
| 10 mm <sup>2</sup>      | -                                                                |  | -     |                                                       |  |         |
| stripping length        | 26 mm                                                            |  |       | 26 mm                                                 |  |         |
| allen screw             | M14 (SW 6 mm)                                                    |  |       | M14 (SW 6 mm)                                         |  |         |

|                         |                                                                  |  |        |                                                     |  |        |
|-------------------------|------------------------------------------------------------------|--|--------|-----------------------------------------------------|--|--------|
| Measurement connection: | no. of connections: 2 x 10 mm <sup>2</sup> (all conductor types) |  |        | no. of connections: 2 x AWG 8 (all conductor types) |  |        |
|                         | -                                                                |  |        | -                                                   |  |        |
| 10 mm <sup>2</sup>      |                                                                  |  |        |                                                     |  |        |
| 6 mm <sup>2</sup>       | 1,2 Nm                                                           |  | 1,2 Nm |                                                     |  |        |
| 4 mm <sup>2</sup>       |                                                                  |  |        | 2,3 Nm                                              |  | 2,3 Nm |
| 2,5 mm <sup>2</sup>     |                                                                  |  |        |                                                     |  |        |
| 1,5 mm <sup>2</sup>     |                                                                  |  |        |                                                     |  |        |
| stripping length        | 10 mm                                                            |  |        | 10 mm                                               |  |        |
| screw                   | M4 (+/- PZ2)                                                     |  |        | M4 (+/- PZ2)                                        |  |        |

|            |                              |             |
|------------|------------------------------|-------------|
| Materials: | Terminal body: Aluminium     | tin plated  |
|            | Housing: PA 6 (Halogen-free) | zinc plated |
|            | Screws: Steel                |             |

|                   |                    |
|-------------------|--------------------|
| Flame resistance: | Self-extinguishing |
|-------------------|--------------------|

|                  |                                                       |
|------------------|-------------------------------------------------------|
| Mechanical data: | Dimensions: width x height x depth (mm): 47 x 57 x 93 |
|------------------|-------------------------------------------------------|



## Design

Basic housing colour – light grey RAL 7035

| Part no.   | Design | Cover colour          | PU     | GTIN (EAN)    |
|------------|--------|-----------------------|--------|---------------|
| 087520-0-3 | L G    | light grey RAL 7035   | 1 / 18 | 4051589875202 |
| 087520-1-3 | N      | light blue RAL 5012   | 1 / 18 | 4051589875219 |
| 087520-2-3 | PE     | yellow-green RAL 6018 | 1 / 18 | 4051589875226 |
| 087520-3-3 | LB     | clay brown RAL 8003   | 1 / 18 | 4051589875233 |
| 087520-4-3 | LS     | jet black RAL 9005    | 1 / 18 | 4051589875240 |

# Technical data

|               |                        |
|---------------|------------------------|
| Description:  | Terminal block RKA 185 |
| Construction: | Fingersafe IP 20       |
| Item no. :    | 087810                 |

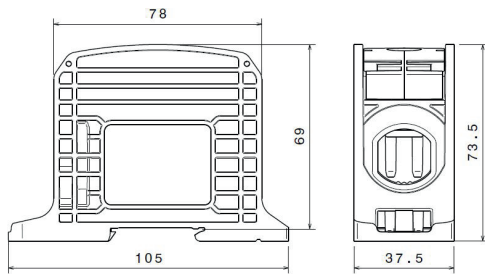
|                            |                                                      |                            |
|----------------------------|------------------------------------------------------|----------------------------|
| Remarks:                   | The product is compliant with the EC ROHS directives |                            |
| Standards:                 | IEC 60947-7-1                                        | UL 1059, CSA-C22.2 No. 158 |
|                            |                                                      |                            |
| Nominal Voltage:           | 1.000 V AC / 1.000 V DC                              | 600 V AC                   |
| Nominal current:           | Cu 353 A                                             | Cu 310 A, Al 250 A         |
| Rated cross-section:       | 185 mm <sup>2</sup>                                  | 350 kcmil                  |
| Impulse withstand voltage: | 8 kV                                                 |                            |
| Pollution degree:          | 3                                                    |                            |
| Surge voltage category:    | III                                                  |                            |
| CTI value:                 | 550                                                  | 550                        |

|                         |                                                                   |       |       |                                                         |         |       |
|-------------------------|-------------------------------------------------------------------|-------|-------|---------------------------------------------------------|---------|-------|
| Terminal cross section: | no. of connections: 2 x 185 mm <sup>2</sup> (all conductor types) |       |       | no. of connections: 2 x 350 kcmil (all conductor types) |         |       |
|                         | IEC 60947-7-1                                                     |       |       | UL 1059, CSA-C22.2 No. 158                              |         |       |
|                         | Cu                                                                |       |       | Cu                                                      |         |       |
|                         |                                                                   |       |       |                                                         |         |       |
|                         | 185 mm <sup>2</sup>                                               |       | -     | 350 kcmil                                               |         |       |
|                         | 150 mm <sup>2</sup>                                               | 25 Nm |       | 300 kcmil                                               |         |       |
|                         | 120 mm <sup>2</sup>                                               |       | 25 Nm | 250 kcmil                                               | 28,2 Nm | 45 Nm |
|                         | 95 mm <sup>2</sup>                                                |       |       | AWG 3/0                                                 |         |       |
|                         | 70 mm <sup>2</sup>                                                |       |       | AWG 2/0                                                 |         |       |
|                         | 50 mm <sup>2</sup>                                                |       |       | AWG 1/0                                                 |         |       |
|                         | 35 mm <sup>2</sup>                                                |       | 20 Nm | AWG 2                                                   |         |       |
|                         | 25 mm <sup>2</sup>                                                |       |       | AWG 4                                                   |         |       |
|                         | stripping length                                                  |       |       | stripping length                                        |         |       |
|                         | allen screw                                                       |       |       | allen screw                                             |         |       |
|                         | 29 mm                                                             |       |       | 29 mm                                                   |         |       |
|                         | M18 (SW 10 mm)                                                    |       |       | M18 (SW 10 mm)                                          |         |       |

|                         |                                                                  |        |        |                                                     |        |  |
|-------------------------|------------------------------------------------------------------|--------|--------|-----------------------------------------------------|--------|--|
| Measurement connection: | no. of connections: 1 x 10 mm <sup>2</sup> (all conductor types) |        |        | no. of connections: 1 x AWG 8 (all conductor types) |        |  |
|                         | IEC 60947-7-1                                                    |        |        | UL 1059, CSA-C22.2 No. 158                          |        |  |
|                         | Cu                                                               |        |        | Cu                                                  |        |  |
|                         |                                                                  |        |        |                                                     |        |  |
|                         | 10 mm <sup>2</sup>                                               |        | -      | AWG 8                                               |        |  |
|                         | 6 mm <sup>2</sup>                                                | 1,2 Nm |        | AWG 10                                              |        |  |
|                         | 4 mm <sup>2</sup>                                                |        | 1,2 Nm | AWG 12                                              | 2,3 Nm |  |
|                         | 2,5 mm <sup>2</sup>                                              |        |        | AWG 14                                              |        |  |
|                         | 1,5 mm <sup>2</sup>                                              |        |        | AWG 16                                              |        |  |
|                         | stripping length                                                 |        |        | stripping length                                    |        |  |
|                         | screw                                                            |        |        | screw                                               |        |  |
|                         | 10 mm                                                            |        |        | 10 mm                                               |        |  |
|                         | M4 (+/- PZ2)                                                     |        |        | M4 (+/- PZ2)                                        |        |  |

|            |                |                     |                  |             |  |                            |
|------------|----------------|---------------------|------------------|-------------|--|----------------------------|
| Materials: | Terminal body: | Aluminium           | compact stranded | tin plated  |  | fine stranded with ferrule |
|            | Housing:       | PA 6 (Halogen-free) |                  |             |  |                            |
|            | Screws:        | Steel               |                  | zinc plated |  |                            |

|                   |                                                            |
|-------------------|------------------------------------------------------------|
| Flame resistance: | Self-extinguishing                                         |
| Mechanical data:  | Dimensions: width x height x depth (mm): 37,5 x 73,5 x 105 |



### Design

Basic housing colour – light grey RAL 7035

| Part no.   | Design | Cover colour          | PU     | GTIN (EAN)    |
|------------|--------|-----------------------|--------|---------------|
| 087810-0-3 | L G    | light grey RAL 7035   | 1 / 12 | 4051589878104 |
| 087810-1-3 | N      | light blue RAL 5012   | 1 / 12 | 4051589878111 |
| 087810-2-3 | PE     | yellow-green RAL 6018 | 1 / 12 | 4051589878128 |
| 087810-3-3 | LB     | clay brown RAL 8003   | 1 / 12 | 4051589878135 |
| 087810-4-3 | LS     | jet black RAL 9005    | 1 / 12 | 4051589878142 |

# Technical data

|               |                          |
|---------------|--------------------------|
| Description:  | Terminal block RKA 185 D |
| Construction: | Fingersafe IP 20         |
| Item no. :    | 087820                   |

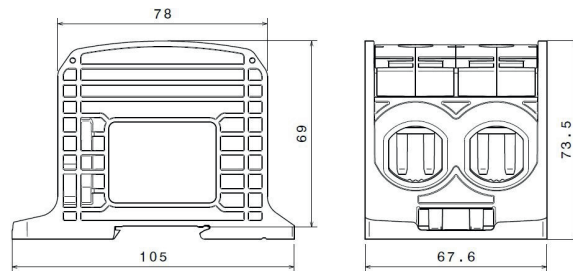
|                            |                                                      |                            |
|----------------------------|------------------------------------------------------|----------------------------|
| Remarks:                   | The product is compliant with the EC ROHS directives |                            |
| Standards:                 | IEC 60947-7-1                                        | UL 1059, CSA-C22.2 No. 158 |
|                            |                                                      |                            |
| Nominal Voltage:           | 1.000 V AC / 1.000 V DC                              | 600 V AC                   |
| Nominal current:           | Cu 353 A                                             | Cu 310 A, Al 250 A         |
| Rated cross-section:       | 185 mm <sup>2</sup>                                  | 350 kcmil                  |
| Impulse withstand voltage: | 8 kV                                                 |                            |
| Pollution degree:          | 3                                                    |                            |
| Surge voltage category:    | III                                                  |                            |
| CTI value:                 | 550                                                  | 550                        |

|                         |                                                                   |  |       |                                                         |  |       |  |
|-------------------------|-------------------------------------------------------------------|--|-------|---------------------------------------------------------|--|-------|--|
| Terminal cross section: | no. of connections: 4 x 185 mm <sup>2</sup> (all conductor types) |  |       | no. of connections: 4 x 350 kcmil (all conductor types) |  |       |  |
|                         | IEC 60947-7-1                                                     |  |       | UL 1059, CSA-C22.2 No. 158                              |  |       |  |
|                         | Cu                                                                |  |       | Cu                                                      |  |       |  |
|                         |                                                                   |  |       |                                                         |  |       |  |
| 185 mm <sup>2</sup>     |                                                                   |  | -     |                                                         |  |       |  |
| 150 mm <sup>2</sup>     | 25 Nm                                                             |  |       | 28,2 Nm                                                 |  | 45 Nm |  |
| 120 mm <sup>2</sup>     |                                                                   |  | 25 Nm |                                                         |  |       |  |
| 95 mm <sup>2</sup>      |                                                                   |  |       |                                                         |  |       |  |
| 70 mm <sup>2</sup>      |                                                                   |  |       |                                                         |  |       |  |
| 50 mm <sup>2</sup>      |                                                                   |  |       |                                                         |  |       |  |
| 35 mm <sup>2</sup>      |                                                                   |  | 20 Nm |                                                         |  |       |  |
| 25 mm <sup>2</sup>      |                                                                   |  |       |                                                         |  |       |  |
| stripping length        | 29 mm                                                             |  |       | 29 mm                                                   |  |       |  |
| allen screw             | M18 (SW 10 mm)                                                    |  |       | M18 (SW 10 mm)                                          |  |       |  |

|                         |                                                                  |  |        |                                                     |  |  |
|-------------------------|------------------------------------------------------------------|--|--------|-----------------------------------------------------|--|--|
| Measurement connection: | no. of connections: 2 x 10 mm <sup>2</sup> (all conductor types) |  |        | no. of connections: 2 x AWG 8 (all conductor types) |  |  |
|                         | IEC 60947-7-1                                                    |  |        | UL 1059, CSA-C22.2 No. 158                          |  |  |
|                         | Cu                                                               |  |        | Cu                                                  |  |  |
|                         |                                                                  |  |        |                                                     |  |  |
| 10 mm <sup>2</sup>      | 1,2 Nm                                                           |  |        | 2,3 Nm                                              |  |  |
| 6 mm <sup>2</sup>       |                                                                  |  |        |                                                     |  |  |
| 4 mm <sup>2</sup>       |                                                                  |  | 1,2 Nm |                                                     |  |  |
| 2,5 mm <sup>2</sup>     |                                                                  |  |        |                                                     |  |  |
| 1,5 mm <sup>2</sup>     |                                                                  |  | 20 Nm  |                                                     |  |  |
| stripping length        | 10 mm                                                            |  |        | 10 mm                                               |  |  |
| screw                   | M4 (+/- PZ2)                                                     |  |        | M4 (+/- PZ2)                                        |  |  |

|            |                |                     |                  |             |  |                            |
|------------|----------------|---------------------|------------------|-------------|--|----------------------------|
| Materials: | Terminal body: | Aluminium           | compact stranded | tin plated  |  | fine stranded with ferrule |
|            | Housing:       | PA 6 (Halogen-free) |                  |             |  |                            |
|            | Screws:        | Steel               |                  | zinc plated |  |                            |

|                   |                                                            |
|-------------------|------------------------------------------------------------|
| Flame resistance: | Self-extinguishing                                         |
| Mechanical data:  | Dimensions: width x height x depth (mm): 67,6 x 73,5 x 105 |



## Design

Basic housing colour – light grey RAL 7035

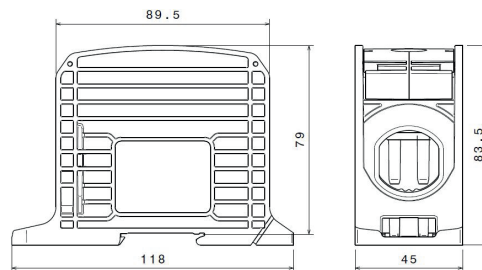
| Part no.   | Design | Cover colour          | PU  | GTIN (EAN)    |
|------------|--------|-----------------------|-----|---------------|
| 087820-0-3 | L G    | light grey RAL 7035   | 1/6 | 4051589878203 |
| 087820-1-3 | N      | light blue RAL 5012   | 1/6 | 4051589878210 |
| 087820-2-3 | PE     | yellow-green RAL 6018 | 1/6 | 4051589878227 |
| 087820-3-3 | LB     | clay brown RAL 8003   | 1/6 | 4051589878234 |
| 087820-4-3 | L S    | jet black RAL 9005    | 1/6 | 4051589878241 |



# Technical data

|               |                        |
|---------------|------------------------|
| Description:  | Terminal block RKA 300 |
| Construction: | Fingersafe IP 20       |
| Item no. :    | 087910                 |

|                            |                                                                                                                                                                                                                                                                                                                                                   |                                                    |                                                                                                                                                                                                                                                         |                                                            |
|----------------------------|---------------------------------------------------------------------------------------------------------------------------------------------------------------------------------------------------------------------------------------------------------------------------------------------------------------------------------------------------|----------------------------------------------------|---------------------------------------------------------------------------------------------------------------------------------------------------------------------------------------------------------------------------------------------------------|------------------------------------------------------------|
| Remarks:                   | The product is compliant with the EC ROHS directives                                                                                                                                                                                                                                                                                              |                                                    |                                                                                                                                                                                                                                                         |                                                            |
| Standards:                 | IEC 60947-7-1                                                                                                                                                                                                                                                                                                                                     | UL 1059, CSA-C22.2 No. 158                         |                                                                                                                                                                                                                                                         |                                                            |
|                            |                                                                                                                                                                                                                                                                                                                                                   |                                                    |                                                                                                                                                                                                                                                         |                                                            |
| Nominal Voltage:           | 1.000 V AC / 1.000 V DC                                                                                                                                                                                                                                                                                                                           | 600 V AC                                           |                                                                                                                                                                                                                                                         |                                                            |
| Nominal current:           | Cu 520 A                                                                                                                                                                                                                                                                                                                                          | Cu 420 A, Al 340 A                                 |                                                                                                                                                                                                                                                         |                                                            |
| Rated cross-section:       | 300 mm <sup>2</sup>                                                                                                                                                                                                                                                                                                                               | 600 kcmil                                          |                                                                                                                                                                                                                                                         |                                                            |
| Impulse withstand voltage: | 8 kV                                                                                                                                                                                                                                                                                                                                              |                                                    |                                                                                                                                                                                                                                                         |                                                            |
| Pollution degree:          | 3                                                                                                                                                                                                                                                                                                                                                 |                                                    |                                                                                                                                                                                                                                                         |                                                            |
| Surge voltage category:    | III                                                                                                                                                                                                                                                                                                                                               |                                                    |                                                                                                                                                                                                                                                         |                                                            |
| CTI value:                 | 550                                                                                                                                                                                                                                                                                                                                               | 550                                                |                                                                                                                                                                                                                                                         |                                                            |
| Terminal cross section:    | no. of connections: 2 x 300 mm <sup>2</sup> (all conductor types)<br><b>IEC 60947-7-1</b><br>Cu<br><br>300 mm <sup>2</sup><br>240 mm <sup>2</sup><br>185 mm <sup>2</sup><br>150 mm <sup>2</sup><br>120 mm <sup>2</sup><br>95 mm <sup>2</sup><br>70 mm <sup>2</sup><br>50 mm <sup>2</sup><br>35 mm <sup>2</sup><br>stripping length<br>allen screw |                                                    | no. of connections: 2 x 600 kcmil (all conductor types)<br><b>UL 1059, CSA-C22.2 No. 158</b><br>Cu Al<br><br>600 kcmil<br>500 kcmil<br>350 kcmil<br>300 kcmil<br>250 kcmil<br>AWG 3/0<br>AWG 2/0<br>AWG 1/0<br>AWG 2<br>stripping length<br>allen screw |                                                            |
|                            |                                                                                                                                                                                                                                                                                                                                                   | 45 Nm<br>45 Nm<br>30 Nm<br>34 mm<br>M24 (SW 12 mm) |                                                                                                                                                                                                                                                         | 33,9 Nm<br>65 Nm<br>-<br>-<br>-<br>34 mm<br>M24 (SW 12 mm) |
| Measurement connection:    | no. of connections: 1 x 10 mm <sup>2</sup> (all conductor types)<br>10 mm <sup>2</sup><br>6 mm <sup>2</sup><br>4 mm <sup>2</sup><br>2,5 mm <sup>2</sup><br>1,5 mm <sup>2</sup><br>stripping length<br>screw                                                                                                                                       |                                                    | no. of connections: 1 x AWG 8 (all conductor types)<br>AWG 8<br>AWG 10<br>AWG 12<br>AWG 14<br>AWG 16<br>stripping length<br>screw                                                                                                                       |                                                            |
|                            |                                                                                                                                                                                                                                                                                                                                                   | 1,2 Nm<br>1,2 Nm<br>10 mm<br>M4 (+/- PZ2)          |                                                                                                                                                                                                                                                         | 2,3 Nm<br>2,3 Nm<br>10 mm<br>M4 (+/- PZ2)                  |
| Materials:                 | Terminal body: Aluminium                                                                                                                                                                                                                                                                                                                          | tin plated                                         | compact stranded                                                                                                                                                                                                                                        | fine stranded with ferrule                                 |
|                            | Housing: PA 6 (Halogen-free)                                                                                                                                                                                                                                                                                                                      |                                                    |                                                                                                                                                                                                                                                         |                                                            |
|                            | Screws: Steel                                                                                                                                                                                                                                                                                                                                     | zinc plated                                        |                                                                                                                                                                                                                                                         |                                                            |
| Flame resistance:          | Self-extinguishing                                                                                                                                                                                                                                                                                                                                |                                                    |                                                                                                                                                                                                                                                         |                                                            |
| Mechanical data:           | Dimensions:                                                                                                                                                                                                                                                                                                                                       | width x height x depth (mm):                       | 45 x 83,5 x 118                                                                                                                                                                                                                                         |                                                            |



## Design

Basic housing colour – light grey RAL 7035

| Part no.   | Design | Cover colour          | PU     | GTIN (EAN)    |
|------------|--------|-----------------------|--------|---------------|
| 087910-0-3 | L G    | light grey RAL 7035   | 1 / 12 | 4051589879101 |
| 087910-1-3 | N      | light blue RAL 5012   | 1 / 12 | 4051589879118 |
| 087910-2-3 | PE     | yellow-green RAL 6018 | 1 / 12 | 4051589879125 |
| 087910-3-3 | LB     | clay brown RAL 8003   | 1 / 12 | 4051589879132 |
| 087910-4-3 | L S    | jet black RAL 9005    | 1 / 12 | 4051589879149 |

# Technical data

|               |                          |
|---------------|--------------------------|
| Description:  | Terminal block RKA 300 D |
| Construction: | Fingersafe IP 20         |
| Item no. :    | 087920                   |

11.12.2017

|                            |                                                      |                            |
|----------------------------|------------------------------------------------------|----------------------------|
| Remarks:                   | The product is compliant with the EC ROHS directives |                            |
| Standards:                 | IEC 60947-7-1                                        | UL 1059, CSA-C22.2 No. 158 |
|                            |                                                      |                            |
| Nominal Voltage:           | 1.000 V AC / 1.000 V DC                              | 600 V AC                   |
| Nominal current:           | Cu 520 A                                             | Cu 420 A, Al 340 A         |
| Rated cross-section:       | 300 mm <sup>2</sup>                                  | 600 kcmil                  |
| Impulse withstand voltage: | 8 kV                                                 |                            |
| Pollution degree:          | 3                                                    |                            |
| Surge voltage category:    | III                                                  |                            |
| CTI value:                 | 550                                                  | 550                        |

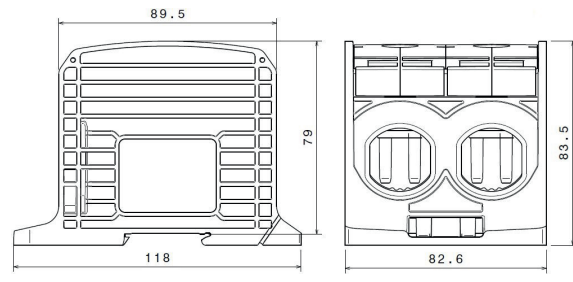
| Terminal cross section:      | no. of connections: 4 x 300 mm <sup>2</sup> (all conductor types) |  |       | no. of connections: 4 x 600 kcmil (all conductor types) |  |       |
|------------------------------|-------------------------------------------------------------------|--|-------|---------------------------------------------------------|--|-------|
|                              | IEC 60947-7-1                                                     |  |       | UL 1059, CSA-C22.2 No. 158                              |  |       |
|                              | Cu                                                                |  |       | Cu                                                      |  |       |
|                              |                                                                   |  |       |                                                         |  |       |
| 300 mm <sup>2</sup>          |                                                                   |  | -     |                                                         |  |       |
| 240 mm <sup>2</sup>          | 45 Nm                                                             |  |       | 33,9 Nm                                                 |  | 65 Nm |
| 185 mm <sup>2</sup>          |                                                                   |  | 45 Nm |                                                         |  |       |
| 150 mm <sup>2</sup>          |                                                                   |  |       |                                                         |  |       |
| 120 mm <sup>2</sup>          |                                                                   |  | -     |                                                         |  |       |
| 95 mm <sup>2</sup>           |                                                                   |  |       |                                                         |  |       |
| 70 mm <sup>2</sup>           |                                                                   |  | 30 Nm |                                                         |  |       |
| 50 mm <sup>2</sup>           |                                                                   |  |       |                                                         |  |       |
| 35 mm <sup>2</sup>           |                                                                   |  |       |                                                         |  |       |
| stripping length allen screw | 34 mm<br>M24 (SW 12 mm)                                           |  |       | 34 mm<br>M24 (SW 12 mm)                                 |  |       |

| Measurement connection: | no. of connections: 2 x 10 mm <sup>2</sup> (all conductor types) |  |        | no. of connections: 2 x AWG 8 (all conductor types) |  |  |
|-------------------------|------------------------------------------------------------------|--|--------|-----------------------------------------------------|--|--|
|                         |                                                                  |  |        |                                                     |  |  |
| 10 mm <sup>2</sup>      |                                                                  |  | -      |                                                     |  |  |
| 6 mm <sup>2</sup>       | 1,2 Nm                                                           |  |        | 2,3 Nm                                              |  |  |
| 4 mm <sup>2</sup>       |                                                                  |  | 1,2 Nm |                                                     |  |  |
| 2,5 mm <sup>2</sup>     |                                                                  |  |        |                                                     |  |  |
| 1,5 mm <sup>2</sup>     |                                                                  |  |        |                                                     |  |  |
| stripping length screw  | 10 mm<br>M4 (+/- PZ2)                                            |  |        | 10 mm<br>M4 (+/- PZ2)                               |  |  |

|            |                              |             |
|------------|------------------------------|-------------|
| Materials: | Terminal body: Aluminium     | tin plated  |
|            | Housing: PA 6 (Halogen-free) |             |
|            | Screws: Steel                | zinc plated |

Flame resistance: Self-extinguishing

Mechanical data: Dimensions: width x height x depth (mm): 82,6 x 83,5 x 118



### Design

Basic housing colour – light grey RAL 7035

| Part no.   | Design | Cover colour          | PU    | GTIN (EAN)    |
|------------|--------|-----------------------|-------|---------------|
| 087920-0-3 | L G    | light grey RAL 7035   | 1 / 6 | 4051589879200 |
| 087920-1-3 | N      | light blue RAL 5012   | 1 / 6 | 4051589879217 |
| 087920-2-3 | PE     | yellow-green RAL 6018 | 1 / 6 | 4051589879224 |
| 087920-3-3 | LB     | clay brown RAL 8003   | 1 / 6 | 4051589879231 |
| 087920-4-3 | L S    | jet black RAL 9005    | 1 / 6 | 4051589879248 |