



Motor protective circuit breaker SM1P

Product designation

Product type designation

Electrical features

Number of poles	nr.	3
Magnetic protection		yes
Thermal protection		yes
Phase failure detection		Yes
Rated insulation voltage Ui IEC/EN	V	690
Rated impulse withstand voltage Uimp	kV	6
Rated frequency	Hz	50/60
Thermal trip adjustment range		4...6.5
Rated current (In)	A	6.5
Magnetic tripping		13 x In
Total power dissipation	W	1.99

Operational short-circuit current breaking capacity (Ics) at AC

230V	kA	100
400V	kA	100
440V	kA	100
500V	kA	100
690V	kA	3

Maximum short-circuit current breaking capacity (Icu) at AC

230V	kA	100
400V	kA	100
440V	kA	100
500V	kA	100
690V	kA	3

Tripping class

10A

IEC Utilization category

A

Operations

Mechanical life	cycles	100000
Electrical life	cycles	100000

Mechanical features

Tightening torque for terminals

min	Nm	2.5
max	Nm	3
min	lbin	1.8
max	lbin	2.2

Max number of wires simultaneously connectable

nr. 2

Conductor section

AWG/Kcmil

min	16
max	8

Flexible w/o lug conductor section

min	mm ²	1
-----	-----------------	---

Flexible c/w lug conductor section	min	mm ²	1
Flexible with insulated spade lug conductor section	min	mm ²	1
Screwdriver			PH2
Power terminal protection according to IEC/EN 60529			IP20
Cable stripping length	main circuit	mm	1

Ambient conditions

Temperature			
Operating temperature			
	min	°C	-20
	max	°C	60
Storage temperature			
	min	°C	-50
	max	°C	80
Compensation temperature			
	min	°C	-20
	max	°C	50
Max altitude		m	3000

Operating position	normal allowable	Vertical plan Any
Fixing		Screw / DIN rail 35mm
Weight	g	350

UL technical data

Motor Disconnect			
	at 240V	kA	30
	at 480V	kA	30
	at 600V	kA	30
	protection		100A class J

Group Motor Installation			
	at 240V	kA	30
	at 480V	kA	30
	at 600V	kA	30
	protection		100A class J

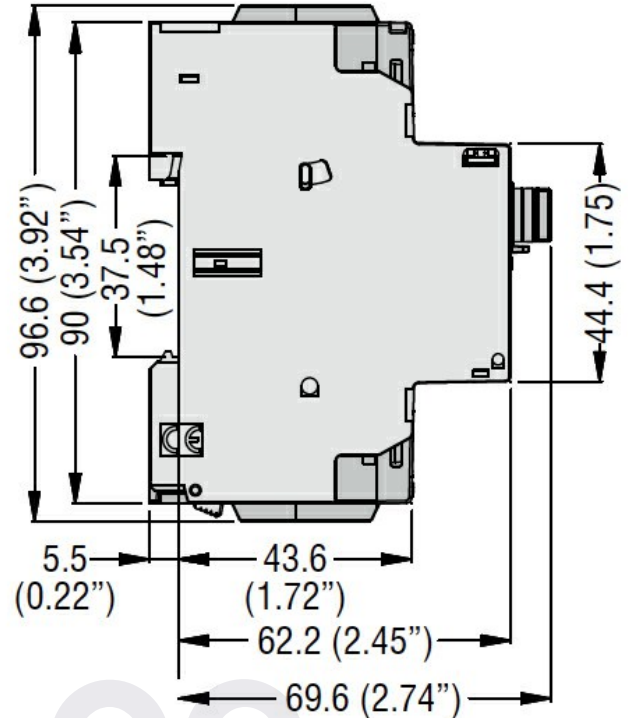
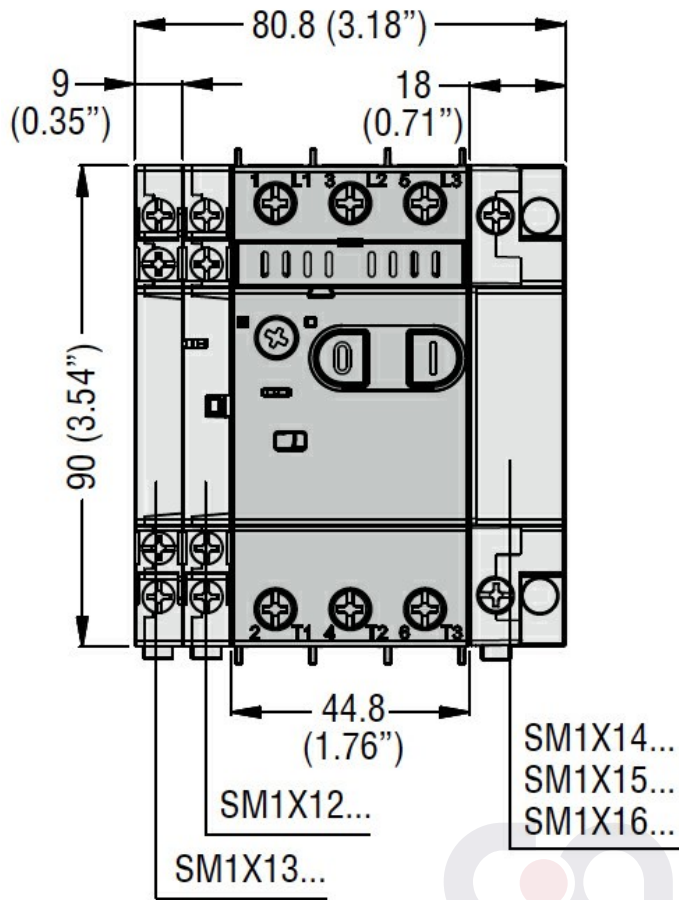
Tap Conductor Protection			
	at 480Y/277V	kA	50
	at 600Y/347V	kA	50

UL508 / UL 60947-4-1 Manual Self Protected Combination Motor Controller (Type E) Short circuit current			
	at 240V	kA	50
	at 480Y/277V	kA	50
	at 600Y/347V	kA	50

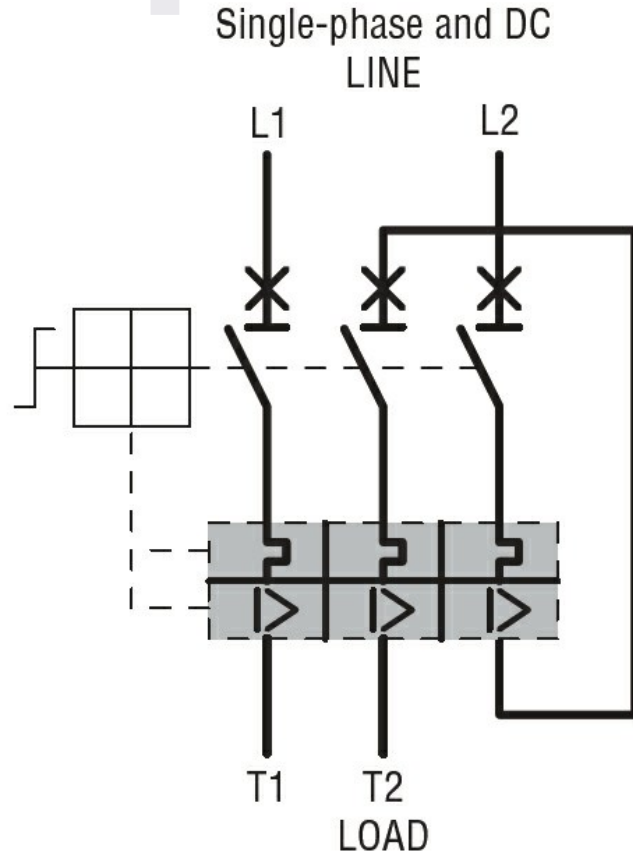
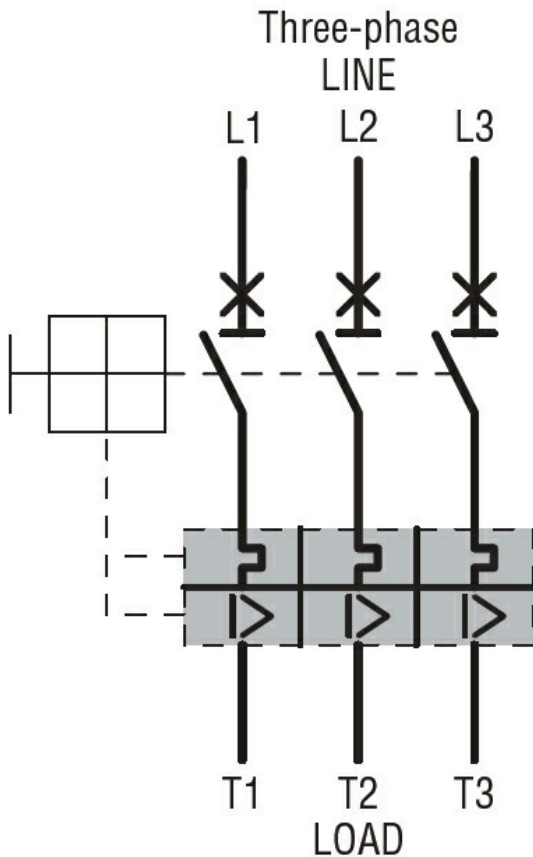
Maximum UL/CSA horsepower ratings single-phase			
	110V-120V	HP	1/4
	220V-240V	HP	1/2

Maximum UL/CSA horsepower ratings three-phase, 3-pole			
	200V-208V	HP	1.5
	220V-240V	HP	1.5
	440V-480V	HP	3
	550V-600V	HP	5

Dimensions



Wiring diagrams



Certifications and compliance



SM1P0650
 MOTOR PROTECTION CIRCUIT BREAKER, IEC BREAKING CAPACITY ICU 100KA AT 400V,
 4...6.5A

Certifications

CSA C22.2 n° 14

IEC/EN 60947-1

IEC/EN 60947-2

IEC/EN 60947-4-1

UL508

Compliance

cULus

EAC

ETIM classification

ETIM 8.0

EC000074 -
 Motor protection
 circuit-breaker

