



Motor protective circuit breaker SM1R

Product designation

Product type designation

Electrical features

Number of poles	nr.	3
Magnetic protection		yes
Thermal protection		yes
Phase failure detection		Yes
Rated insulation voltage Ui IEC/EN	V	690
Rated impulse withstand voltage Uimp	kV	6
Rated frequency	Hz	50/60
Thermal trip adjustment range		20...25
Rated current (In)	A	25
Magnetic tripping		13 x In
Total power dissipation	W	2.83

Operational short-circuit current breaking capacity (Ics) at AC

230V	kA	100
400V	kA	25
440V	kA	5
500V	kA	5
690V	kA	2

Maximum short-circuit current breaking capacity (Icu) at AC

230V	kA	100
400V	kA	25
440V	kA	50
500V	kA	10
690V	kA	4

Tripping class

10A

IEC Utilization category

A

Operations

Mechanical life	cycles	100000
Electrical life	cycles	100000

Mechanical features

Tightening torque for terminals

min	Nm	2.5
max	Nm	3
min	lbin	1.8
max	lbin	2.2

Max number of wires simultaneously connectable

nr. 2

Conductor section

AWG/Kcmil

min	16
max	8

Flexible w/o lug conductor section

min	mm ²	1
-----	-----------------	---



Flexible c/w lug conductor section	min	mm ²	1
Flexible with insulated spade lug conductor section	min	mm ²	1
Screwdriver			PH2
Power terminal protection according to IEC/EN 60529			IP20
Cable stripping length	main circuit	mm	1

Ambient conditions

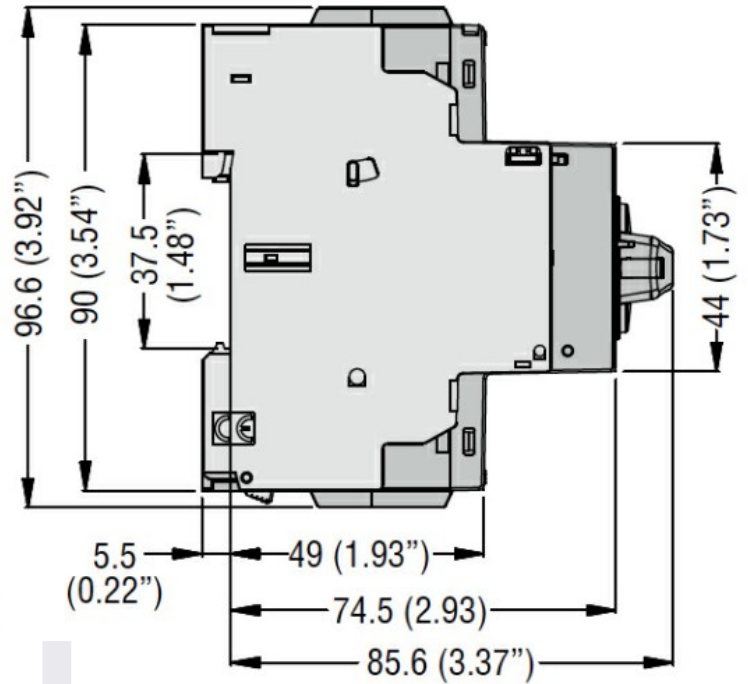
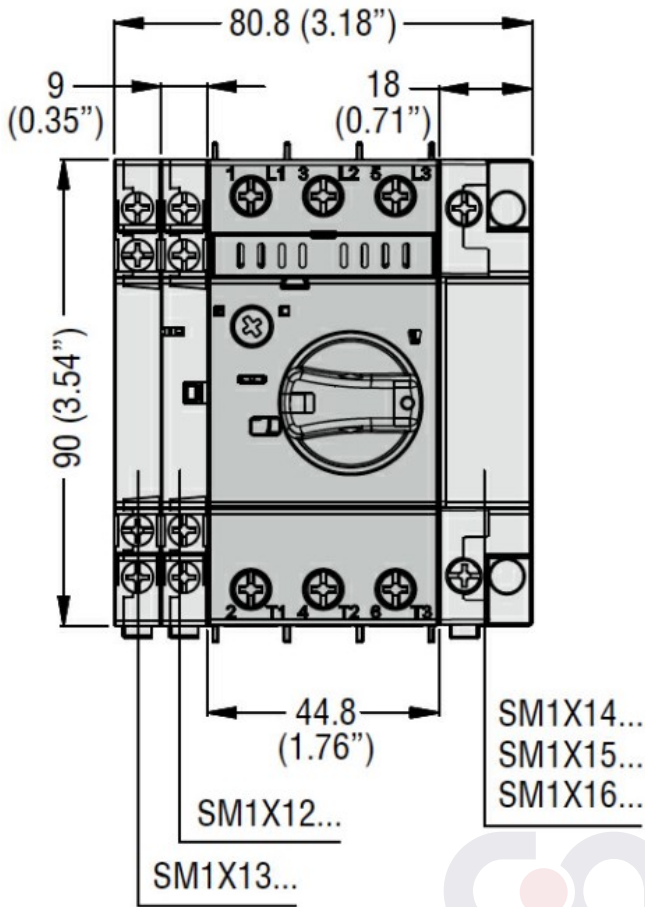
Temperature			
Operating temperature			
	min	°C	-20
	max	°C	60
Storage temperature			
	min	°C	-50
	max	°C	80
Compensation temperature			
	min	°C	-20
	max	°C	50
Max altitude		m	3000

Operating position	normal allowable	Vertical plan Any
Fixing		Screw / DIN rail 35mm
Weight	g	390

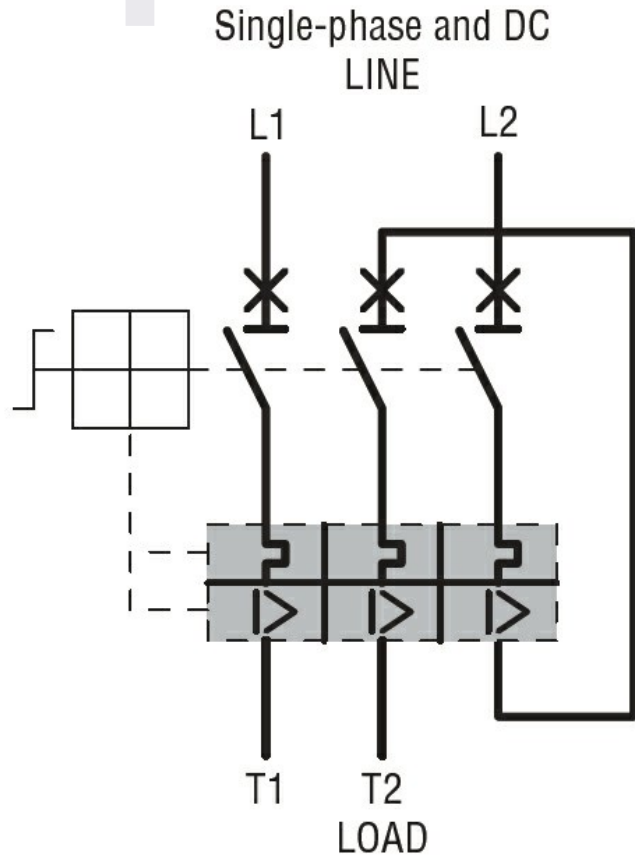
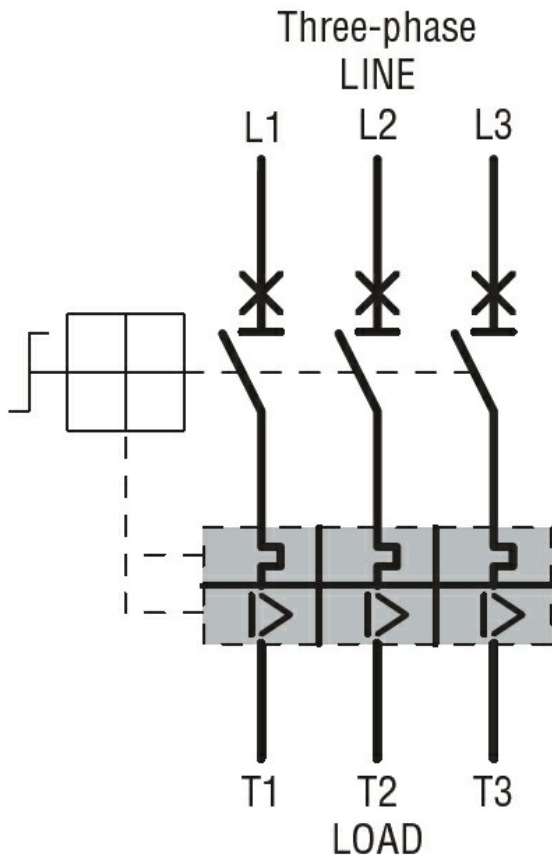
UL technical data

Motor Disconnect			
	at 480V	kA	30
	at 600V	kA	30
	protection		200A class J
Group Motor Installation			
	at 480V	kA	30
	at 600V	kA	30
	protection		200A class J
Maximum UL/CSA horsepower ratings single-phase			
	110V-120V	HP	2
	220V-240V	HP	3
Maximum UL/CSA horsepower ratings three-phase, 3-pole			
	200V-208V	HP	5
	220V-240V	HP	7.5
	440V-480V	HP	15
	550V-600V	HP	20

Dimensions



Wiring diagrams



Certifications and compliance



SM1R2500
 MOTOR PROTECTION CIRCUIT BREAKER, IEC BREAKING CAPACITY ICU 50KA AT 400V,
 20...25A

Certifications

- CSA C22.2 n° 14

- IEC/EN 60947-1

- IEC/EN 60947-2

- IEC/EN 60947-4-1

- UL508

Compliance

- cULus

- EAC

ETIM classification

ETIM 8.0

EC000074 -
 Motor protection
 circuit-breaker

