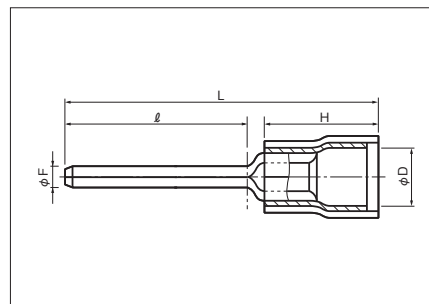
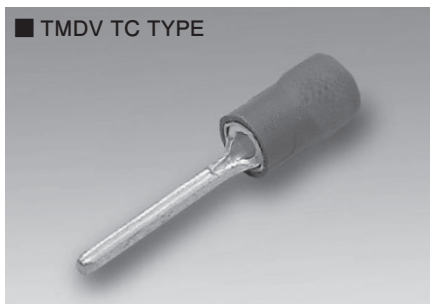


INSULATED PIN TERMINALS WITH EXTRA COPPER SLEEVE (TC TYPE)

TMDV : Vinyl



RoHS 6
See page 2

Non stock item

PART NUMBER	DIMENSIONS mm					WIRE RANGE		TOOL No.		STD COLOR	STD QTY/BOX
	φF	l	L	H	φD	STRANDED mm ²	AWG	HAND TOOL No.			
								TOOL BODY No.	DIES No.		
TMDV TC-1.25-11 ○	1.9	11.0	23.0	10.0	4.0	0.3 } 1.65	22-16	NH 11 NH 32	NA 10 N10 21	RED	1,000 (100×10)
TMDV TC-1.25-11S ○	1.5										
TMDV TC-1.25-16 ○	1.9	16.0	27.5								
TMDV TC-1.25-16S ○	1.5										
TMDV TC-1.25-20 ○	1.9	20.0	31.5								
TMDV TC-1.25-20S ○	1.5										
TMDV TC-2-11 ○	1.9	11.0	23.0	10.0	4.3	1.04 } 2.63	16-14	NH 12 NH 32	NA 10 N10 22	BLUE	1,000 (100×10)
TMDV TC-2-11S ○	1.5										
TMDV TC-2-16 ○	1.9	16.0	27.5								
TMDV TC-2-16S ○	1.5										
TMDV TC-2-20 ○	1.9	20.0	31.5								
TMDV TC-2-20S ○	1.5										
TMDV TC-5.5-11 ○	2.7	11.0	28.5	14.0	6.0	2.63 } 6.64	12-10	NH 13 NA 10 N10 23	YELLOW	100	

NOTE 1) ○ : UL/CSA

- 2) Refer to page 41 for UL/CSA, insulator material/color, proper strip length of wire and Nylon insulated products.
- 3) TMDEN Types are also available, see page 42.

B