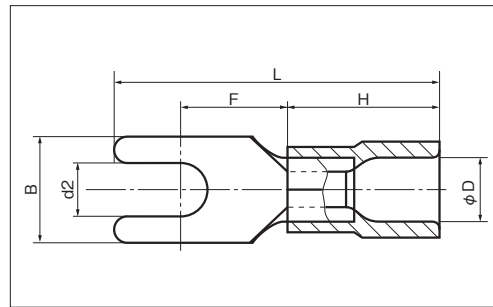
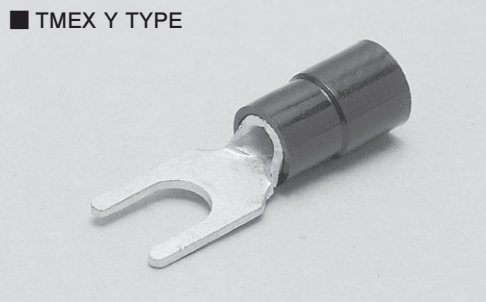


ENVIRONMENTALLY FRIENDLY INSULATED TERMINALS (Y TYPE)

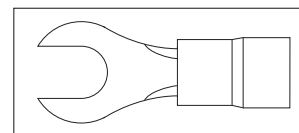


RoHS 10
See page 2

PART NUMBER	DIMENSIONS mm						WIRE RANGE		TOOL No.		STD COLOR	STD QTY/BOX						
	d2	B	L	F	H	φD	STRANDED mm ²	AWG	HAND TOOL No.	DIES No.								
TMEY 0.3Y-2	2.2	5.2	17.5	4.9	10.0	2.8	0.2 }	24-20	NH 5 NH 32		YELLOW	1,000 (100×10)						
TMEY 0.3Y-3	3.2																	
TMEY 0.3Y-3.5N	3.7	20.5	5.8															
TMEY 0.3Y-4N	4.3			6.4					6.6									
TMEY 0.3Y-5	5.3	8.0	21.0	7.0					NA 10 NA 3	N10 10 N3 5								
TMEY 1.25Y-2.5	2.7	4.7	17.2	5.1	10.0	4.1	0.3 }	22-16	NH 11 NH 32		RED	1,000 (100×10)						
TMEY 1.25Y-3K	3.2	5.6	20.5	5.8														
TMEY 1.25Y-3S		5.7	17.4	4.8														
TMEY 1.25Y-3		5.8	20.5	5.8														
TMEY 1.25Y-3N	3.7	5.6	20.5	5.8														
TMEY 1.25Y-3.5K									21.5	6.6								
TMEY 1.25Y-3.5		5.8	20.5	5.8														
TMEY 1.25Y-3L	4.3	6.2	21.5	6.8														
TMEY 1.25Y-4N		6.4	6.6															
TMEY 1.25Y-4S		7.0	21.9	7.6														
TMEY 1.25Y-4M	5.3	8.1	23.0	8.3														
TMEY 1.25Y-4L		9.6	23.0	8.3														
TMEY 1.25Y-5		6.4	11.0	24.5					8.6	NA 10 NA 3			N10 11 N3 11					
TMEY 2Y-3S	3.2	5.6	21.3	6.6					10.0	4.6			1.04 }	16-14	NH 12 NH 32		BLUE	1,000 (100×10)
TMEY 2Y-3	5.9																	
TMEY 2Y-3.5K	3.7	5.6																
TMEY 2Y-3.5S	5.8																	
TMEY 2Y-3.5	4.3	6.4			7.6													
TMEY 2Y-3.5L		6.6																
TMEY 2Y-4N		7.0			21.5	7.0												
TMEY 2Y-4S	5.3	8.0			22.6	8.7												
TMEY 2Y-4M		10.0			22.6	8.7												
TMEY 2Y-5		8.0			21.5	7.1												
TMEY 2Y-5M	6.4	12.0	23.5	8.5														
TMEY 2Y-5L		25.5	8.6															
TMEY 2Y-6	8.4	14.0	27.5	11.5	NA 10 NA 3	N10 12 N3 12	(50×10)											
TMEY 3.5Y-4	4.3	8.0	26.0	7.2	14.0	6.3	2.63 }	12	NH 13 NA 10 NA 3		YELLOW	50						
TMEY 3.5Y-5	5.3	9.5	28.0	8.3														
TMEY 3.5Y-6	6.4	12.0	30.0	9.8														
TMEY 5.5Y-3.5N	4.3	7.0	24.5	7.2	14.0	6.8	2.63 }	12-10	NH 13 NA 10 NA 3		YELLOW	50						
TMEY 5.5Y-4S		8.4	25.7															
TMEY 5.5Y-4		9.0																
TMEY 5.5Y-5		5.2	9.0															
TMEY 5.5Y-6	6.4	12.5	32.7	12.0	NA 10 NA 3	N10 13 N3 13												

NOTE

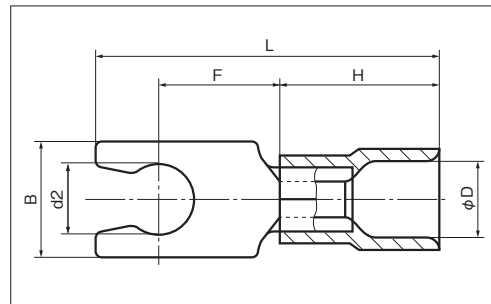
- : UL · C-UL
- Please refer to page 41 for proper strip length of wire
- Tongue shape of 1.25Y-3S is shown on the right.
- Transparent insulator is also available.
- ※Specification is partly different from other spade terminals.





INSULATED PIN TERMINALS (TC TYPE)

TGV
TGWV : Vinyl
TMEV



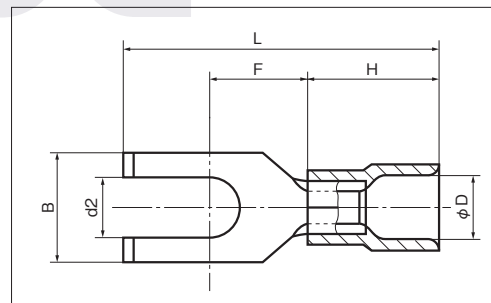
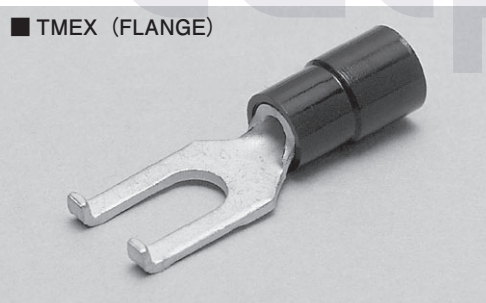
RoHS10

See page 2

PART NUMBER	DIMENSIONS mm						WIRE RANGE		TOOL No.		STD COLOR	STD QTY/BOX
	d2	B	L	F	H	φD	STRANDED mm ²	AWG	HAND TOOL No.	DIES No.		
TMEV 1.25LY-3S ○	3.2	6.4	19.5	6.6	10.0	4.1	0.3 } 1.65	22-16	NH 11		RED	1,000 (100×10)
TMEV 1.25LY-3.5S ○	3.7								NH 32			
TMEV 1.25LY-4S ○	4.3								NA 10	N10 11		
TMEV 1.25LY-5S ○	5.3	8.4	22.5	8.5					NA 3	N3 11		
TMEV 2LY-3S ○	3.2	6.4	19.5	6.6	10.0	4.6	1.04 } 2.63	16-14	NH 12		BLUE	1,000 (100×10)
TMEV 2LY-3.5S ○	3.7								NH 32			
TMEV 2LY-4S ○	4.3								NA 10	N10 12		
TMEV 2LY-5S ○	5.3	8.4	22.5	8.5					NA 3	N3 12		
TMEV 5.5LY-3.5S ○	3.7	7.9	25.7	7.6	14.0	6.8	2.63 } 6.64	12-10	NH 13		YELLOW	50
TMEV 5.5LY-4S ○	4.3								NH 32			
TMEV 5.5LY-5S ○	5.3								NA 10	N10 13		
									NA 3	N3 13		

NOTE

- : UL · C-UL
- Refer to page 41 for UL/CSA, insulator material/color, proper strip length of wire and Nylon insulated products.
- TMD & TMDEN Type are also available, see page 42.



RoHS10

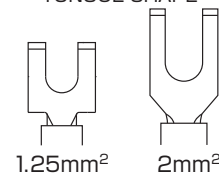
See page 2

PART NUMBER	DIMENSIONS mm						WIRE RANGE		TOOL No.		STD COLOR	STD QTY/BOX
	d2	B	L	F	H	φD	STRANDED mm ²	AWG	HAND TOOL No.	DIES No.		
TMEV 1.25Y-3W ○	3.7	7.7	19.5	5.6	10.0	4.1	0.3~1.65	22-16	NH 11		RED	1,000 (100×10)
TMEV 1.25Y-4W ○	4.3								NH 32			
TMEV 1.25Y-5W ○	5.3								NA 10	N10 11		
TMEV 2Y-3W ○	3.7	8.0	24.0	7.3	10.0	4.6	1.04 } 2.63	16-14	NH 12		BLUE	1,000 (100×10)
TMEV 2Y-4W ○	4.3								NH 32			
TMEV 2Y-5W ○	5.3								NA 10	N10 12		
									NA 3	N3 12		

NOTE

- : UL · C-UL
- Refer to page 41 for UL/CSA, insulator material/color, proper strip length of wire.
- TMDEN Type is also available, see page 42.

TONGUE SHAPE



1.25mm²

2mm²