

## KLIKSEAL

*KLIKSEAL is a revolutionary two-component grommet with cable anchorage – something completely new to the market. Through innovation and advanced production technology, we have designed a product that has many of the advantages found in a cable gland.*

*Apart from the cable anchorage, KLIKSEAL is compact, self-adjusting to its surrounding wall thickness, click-fixed in place, has a membrane seal, requires very little effort to install with its collapsible outer membrane, and saves up to 90% of your time.*

*The installation of a KLIKSEAL requires no tools and has a "pushout" membrane that is a permanent seal until penetrated by a cable or pipe. Each size of KLIKSEAL can be used with a large range of cable and pipe diameters. An M25 can be used for cables and pipes ranging from 4 mm to 13 mm. Because of its compact design, the KLIKSEAL only extends 5,5 mm outside the housing on which it is mounted.*



	KLIK SEAL	PE IP68	RUTA-SEAL	TSS
<b>Tension relief</b>	✓	✓	✗	✗
<b>Waterproof installation</b>	✗	✓	✓	✓
<b>"Pushout" membrane</b>	✓	✗	✓	✓
<b>Ergonomic installation</b>	✓	✗	✓	✓
<b>Same protrusion regardless of size</b>	✓	✗	✗	✗
<b>Can be installed from one side</b>	✓	✗	✓	✓
<b>Locks in place</b>	✓	✓	✗	✗
<b>Designed for threaded holes</b>	✗	✓	✗	✗
<b>Self-adjusting to wall thickness</b>	✓	✗	✓	✓
<b>Self-adjustment to cable diameter</b>	✓	✗	✓	✓
<b>Re-usable</b>	✓	✓	✓	✓
<b>Space saving</b>	✓	✗	✓	✓
<b>Time saving installation</b>	✓	✗	✓	✓



## Product Benefits

### Cable Anchorage

**KLIKSEAL** is tested and certified to Cable Anchorage Type A - the same standard most cable glands are approved to.

### Compact design

Designed to blend in with its surrounding. Product thickness is only 17-20mm, with a protrusion of 5,5 mm on the outside (M20-M25). A cable gland has a protrusion of 30-40mm.

### Klik

**KLIKSEAL** is an ergonomic product that requires no torque or force during installation. It simply "klikes" into place.

### Selfadjusting to wall thickness

The ability to selfadjust to the wall thickness means there is no need for a lock-nut to install a **KLIKSEAL**.

### Fixed in place

When a **KLIKSEAL** has been installed it is fixed in both directions like a cable gland and cannot be removed unintentionally.

### IP65

**KLIKSEAL** is water jet and dust proof, which means that you do not need to worry if you have chosen the right protection class.

### "Pushout" membrane

**KLIKSEAL** is equipped with a "Pushout" membrane which means the opening is sealed until the membrane is pushed out. This means it will protect against dust and moisture even if a cable has not been installed.

### Rubber coated tension relief for protection of the cable mantle

To avoid possible damage to the mantle of cables installed in a **KLIKSEAL** the arms providing cable anchorage are coated with TPE. TPE is a plastic material with a "rubbery" texture that works as a protection between the harder plastic and the cable mantle. It also provides dampening against vibration.

### Save up to 90% on installation time.

**KLIKSEAL** is a superior economic solution as it saves up to 90% on the complete installation time.

### Ergonomic installation without tools

Center the **KLIKSEAL** in the opening, push with both thumbs until it "klikes" into position. Install the cable by pushing it through the grommet.

## Product features TKS KLIKSEAL

Height of only 17-20 mm, 5,5 mm on the outside.  
Cable glands are approx. 30-40 mm.

Handles large range of cable and pipe diameters.

Installation time saving of up to 90%.

Self-adjusting to wall thickness.

Ergonomic installation.

"Pushout" membrane

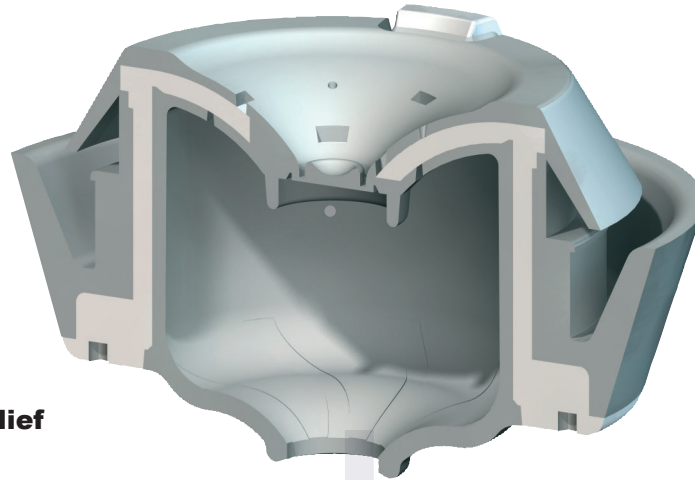
Fixed in both directions when mounted.

Space saving design

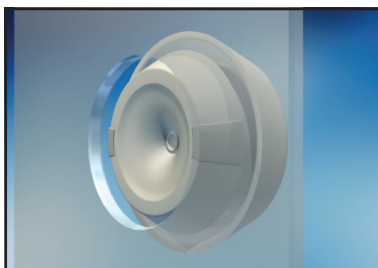
Integrated tension relief

IP65

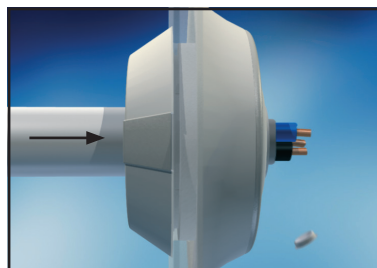
KLIK = No material compression during installation.



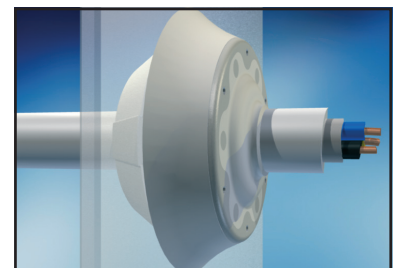
Rubber coated tension relief for protection of the cable mantle.



Center the KLIKSEAL in the opening (from the inside), push evenly with both thumbs until it "kliks" into place.



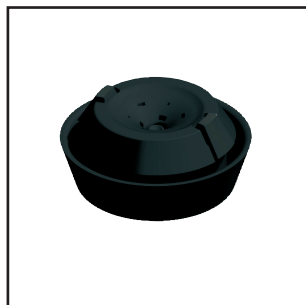
Insert the cable from the side with the polyamide tabs.



**Note! KLIKSEAL is installed from the inside.**



# KLIKSEAL



**Material** TPE and Polyamide 66 - Halogen Free  
UL listed material

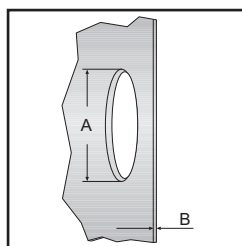
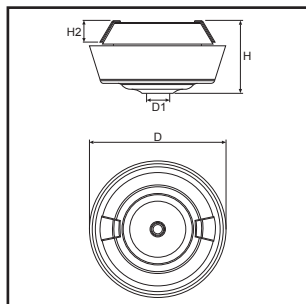
**Mode of protection** IP65

**Temperature range** -20°C...+125°C <sup>(1)</sup>

**Test standard** EN60670-1:2005+A1:2013

**Semko report** 1906922

- Integrated cable anchorage
- Fixed in both directions when mounted
- Space saving design
- Very quick and simple installation without the use of tools



Product number	Size	IP65 and Cable Anchorage Type A* for Cable Ø mm	A mm	B for IP65 mm	H mm	H2 mm	D1 mm	D*** mm	Pcs pack	
<b>RAL 7035</b>										
T_14 758 03	M20	7 - 11	20,5	2 - 5	17 - 20	5,5	4,0	29,3 - 34,5	50	2000
T_14 758 04	M25	7 - 13**	25,5	2 - 5	17 - 20	5,5	5,0	34,3 - 40,0	50	1500
<b>RAL 9005</b>										
T_14 758 13	M20	7 - 11	20,5	2 - 5	17 - 20	5,5	4,0	29,3 - 34,5	50	2000
T_14 758 14	M25	7 - 13**	25,5	2 - 5	17 - 20	5,5	5,0	34,3 - 40,0	50	1500
<b>RAL 9010</b>										
T_14 758 23	M20	7 - 11	20,5	2 - 5	17 - 20	5,5	4,0	29,3 - 34,5	50	2000
T_14 758 24	M25	7 - 13**	25,5	2 - 5	17 - 20	5,5	5,0	34,3 - 40,0	50	1500
<b>RAL XYZ</b>										
TKS M20 XYZ	M20	7 - 11	20,5	2 - 5	17 - 20	5,5	4,0	29,3 - 34,5	50	2000
TKS M25 XYZ	M25	7 - 13**	25,5	2 - 5	17 - 20	5,5	5,0	34,3 - 40,0	50	1500

\* Cable Anchorage Type A, according to EN 50262.

\*\* 8,1 - 8,9 mm only approved for tension relief.

\*\*\* Varies depending on the thickness of material installed in.

(1) Unstressed material.



# KLIKSEAL for thin materials

**Material** TPE and Polyamide 66 - Halogen Free  
UL listed material

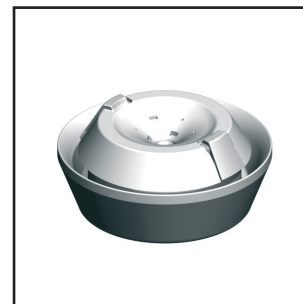
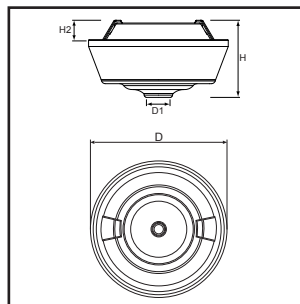
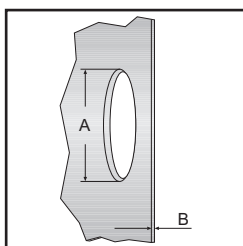
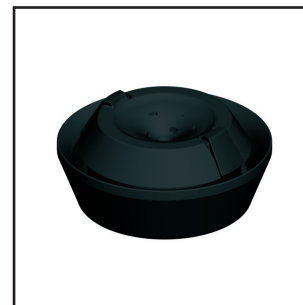
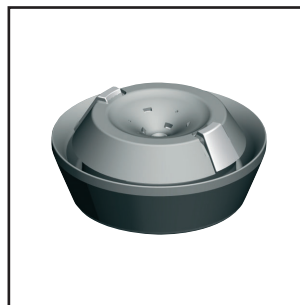
**Mode of protection** IP65

**Temperature range** -20°C...+125°C <sup>(1)</sup>

**Test standard** EN60670-1:2005+A1:2013

**Semko report** SE-S-2002136

- Integrated cable anchorage
- Fixed in both directions when mounted
- Space saving design
- Very quick and simple installation without the use of tools



Product number	Size	IP65 and Cable Anchorage Type A* for Cable Ø mm	A mm	B for IP65 mm	H mm	H2 mm	D1 mm	D*** mm	Pcs pack	
<b>RAL 7035</b>										
T_14 758 07	M20	7 - 11	20,5	0,5 - 3	17 - 20	5,5	4,0	34,2 - 37,2	50	2000
T_14 758 08	M25	7 - 13**	25,5	0,9 - 3	17 - 20	5,5	5,0	39,2 - 42,2	50	1500
<b>RAL 9005</b>										
T_14 758 17	M20	7 - 11	20,5	0,5 - 3	17 - 20	5,5	4,0	34,2 - 37,2	50	2000
T_14 758 18	M25	7 - 13**	25,5	0,9 - 3	17 - 20	5,5	5,0	39,2 - 42,2	50	1500
<b>RAL 9010</b>										
T_14 758 27	M20	7 - 11	20,5	0,5 - 3	17 - 20	5,5	4,0	34,2 - 37,2	50	2000
T_14 758 28	M25	7 - 13**	25,5	0,9 - 3	17 - 20	5,5	5,0	39,2 - 42,2	50	1500
<b>RAL XYZ</b>										
TKST M20 XYZ	M20	7 - 11	20,5	0,5 - 3	17 - 20	5,5	4,0	34,2 - 37,2	50	2000
TKST M25 XYZ	M25	7 - 13**	25,5	0,9 - 3	17 - 20	5,5	5,0	39,2 - 42,2	50	1500

\* Cable Anchorage Type A, according to EN 50262.

\*\* 8,1 - 8,9 mm only approved for tension relief.

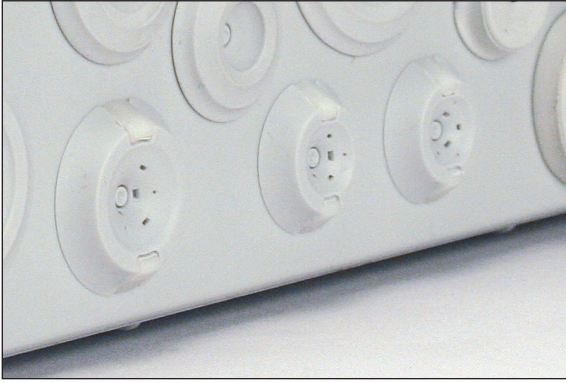
\*\*\* Varies depending on the thickness of material installed in.

(1) Unstressed material.



# Examples of applications for KLIKSEAL

## Enclosures and Cabinets



## Light fixtures

