

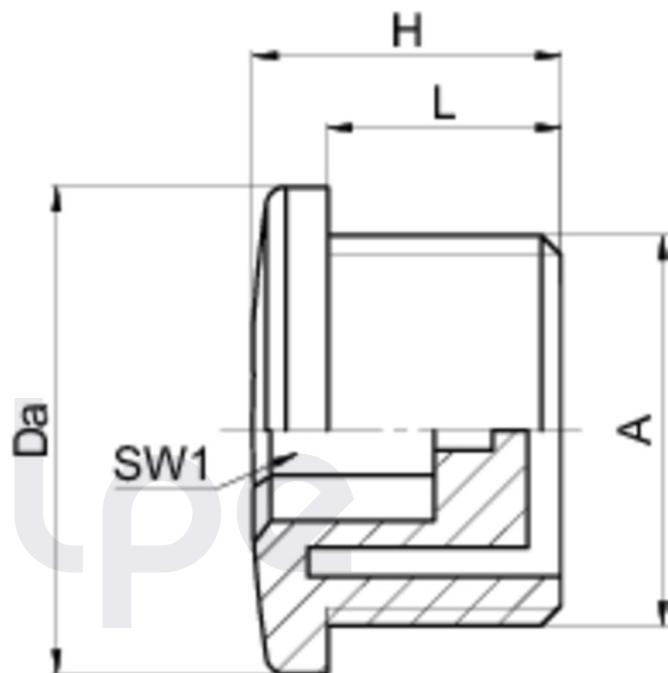
Ex-screw plug

Screw plug	Polyamide PA66 GF25
Connecting thread	metric, as per EN 60423




Properties

	<ul style="list-style-type: none"> for secure sealing of unused threaded or clearance hole
Group (Zone)	II 2 G (1,2) II 2 D(21,22)
Marking	Ex e IIC Gb Ex tb IIIC Db
Temperature range	-50 °C / +95 °C (M16x1,5 - M50x1,5) -20 °C / +80 °C (M63x1,5)
Protection grade	IP66 (M16x1,5 - M50x1,5) IP65 (M63x1,5)
Test standard	EN 60079-0:2012, IEC 60079-0:2007 EN 60079-7:2007, IEC 60079-7:2006 EN 60079-31:2009, IEC 60079-31:2008
EC-Type certificate	PTB 98 ATEX 3130
IECEx certificate	IECEx PTB 03.0000
UL / CSA-File	E254795 (M16x1,5 - M50x1,5)



Features

 RAL 9005

A	L	SW1	H	Da		Part No.
M16x1,5	11	8	15	21	20	GHG9601952R0111
M20x1,5	12	8	16	25	20	GHG9601952R0112
M25x1,5	12	8	16	30	20	GHG9601952R0113
M32x1,5	14	8	19,5	37	10	GHG9601952R0114
M40x1,5	14	8	19,5	45	10	GHG9601952R0115
M50x1,5	15	8	20,5	55	5	GHG9601952R0116
M63x1,5	12	8	23	72	5	GHG9601952R0117