



## Ex-Cable Gland

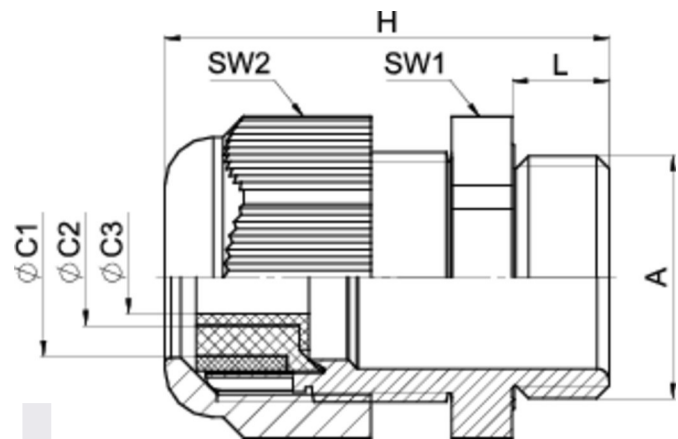
GHG9601955R00zz

Dome nut	Polyamide PA6
Dust cap	Polyethylene PE-LD, colours *white or **green
Sealing ring/outer part	Silicone rubber VMQ
Sealing ring/inner part	TPE TPS (from M16x1,5)
Gland body	Polyamide PA6
Connecting thread	metric, as per EN 60423



### Properties

	<ul style="list-style-type: none"> <li>wide sealing and clamping range</li> <li>easy-to-install</li> </ul>
Group (Zone)	II 2 G (1,2) II 2 D(21,22)
Marking	Ex e IIC Gb Ex tb IIIC Db
Cable installation	fixed
Temperature range	see table Characteristics, assigned to Part.. No.
Protection grade	IP66
Test standard	EN 60079-0:2012, IEC 60079-0:2011 EN 60079-7:2015, IEC 60079-7:2015 EN 60079-31:2014, IEC 60079-31:2013
EC-Type certificate	PTB 14 ATEX 1015 X
IECEx certificate	IECEx PTB 14.0027X



### Features

-55°C/+70°C[\*\*]

Connecting thread standard length

A	Ø C3	Ø C2	Ø C1	L	SW1	SW2	H		Part No.
M25x1,5	8 - 10	10 - 13	13,5 - 15	8	29	29	43	20	GHG9601955R0009
M32x1,5	-	14 - 17	17,5 - 21	10	36	36	50	20	GHG9601955R0011
M40x1,5	-	19 - 22	22 - 28	10	46	46	51	10	GHG9601955R0006

A	Ø C3	Ø C2	Ø C1	L	SW1	SW2	H		Part No.
M50x1, 5	-	24 - 28	28 - 35	12	55	55	61,5	10	GHG9601955R0007
M63x1, 5	-	29 - 35	36 - 48 <sup>1)</sup>	12	68	68	65,5	5	GHG9601955R0008

## Connecting thread long

A	Ø C3	Ø C2	Ø C1	L	SW1	SW2	H		Part No.
M25x1, 5	8 - 10	10 - 13	13,5 - 15	13	29	29	48	20	GHG9601955R0030
M32x1, 5	-	14 - 17	17,5 - 21	15	36	36	55	20	GHG9601955R0031
M40x1, 5	-	19 - 22	22 - 28	15	46	46	56	10	GHG9601955R0026
M50x1, 5	-	24 - 28	28 - 35	16	55	55	66,5	10	GHG9601955R0027
M63x1, 5	-	29 - 35	36 - 48 <sup>1)</sup>	16	68	68	69,5	5	GHG9601955R0028



-40°C/+70°C[\*\*]

## Connecting thread standard length

A	Ø C3	Ø C2	Ø C1	L	SW1	SW2	H		Part No.
M20x1, 5	5,5 - 7	7 - 9	9,5 - 11	8	24	24	37	20	GHG9601955R0010


## Connecting thread long

A	Ø C3	Ø C2	Ø C1	L	SW1	SW2	H		Part No.
M20x1, 5	5,5 - 7	7 - 9	9,5 - 11	13	24	24	42	20	GHG9601955R0029




-20°C / +70°C [\*]

## Connecting thread standard length

A	Ø C3	Ø C2	Ø C1	L	SW1	SW2	H		Part No.
M12x1,5	-	-	5 - 7	8	15	15	31	20	GHG9601955R0001
M16x1,5	-	5,5 - 7	7 - 10	8	20	20	35,5	20	GHG9601955R0002
M20x1,5	5,5 - 7	7 - 9	9,5 - 13	8	24	24	37	20	GHG9601955R0003
M25x1,5	8 - 10	10 - 13	13,5 - 17,5	8	29	29	43	20	GHG9601955R0004
M32x1,5	-	14 - 17	17,5 - 21	10	36	36	50	20	GHG9601955R0005

## Connecting thread long

A	Ø C3	Ø C2	Ø C1	L	SW1	SW2	H		Part No.
M12x1,5	-	-	5 - 7	12	15	15	35	20	GHG9601955R0021
M16x1,5	-	5,5 - 7	7 - 10	12	20	20	39,5	20	GHG9601955R0022
M20x1,5	5,5 - 7	7 - 9	9,5 - 13	13	24	24	42	20	GHG9601955R0023
M25x1,5	8 - 10	10 - 13	13,5 - 17,5	13	29	29	48	20	GHG9601955R0024
M32x1,5	-	14 - 17	17,5 - 21	15	36	36	55	20	GHG9601955R0025

1) M63x1,5 with additional sealing

Color: RAL 9005 / jet black