

## PERFECT EMC-cable gland

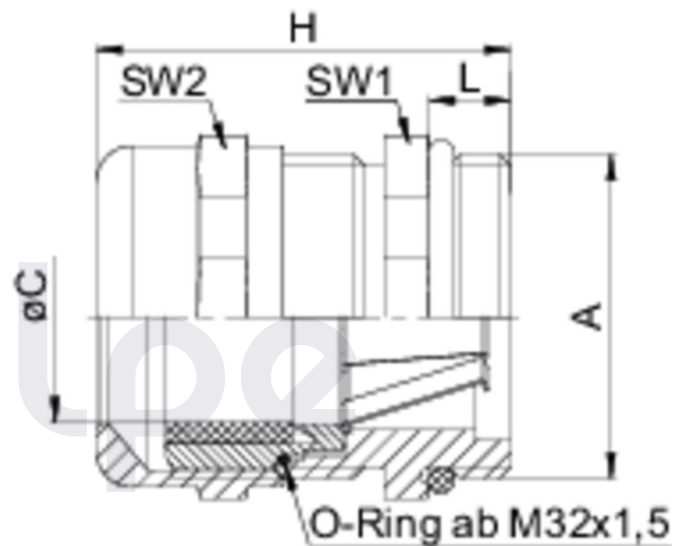
50.6xx M/EMVD

Dome nut	Brass CuZn39Pb3, nickel-plated
Lamellar insert	Polyamide PA6 V-2
Sealing ring	Polychloroprene-Nitrile rubber CR/NBR
Contact spring	Stainless steel
Gland body	Brass CuZn39Pb3, nickel-plated
O-ring	Nitrile rubber NBR
Connecting thread	metric, as per EN 60423




### Properties

	<ul style="list-style-type: none"> <li>for cables with shielding</li> <li>quick and easy EMV connection of the cable shield via the contacting spring with the gland body and the housing potential</li> <li>integrated anchorage</li> <li>wide sealing and clamping range</li> </ul>
Temperature range	-20 °C / +100 °C (dynamic) -40 °C (static, short term)
Protection grade	IP68
Test standard	UL 514B
UL / CSA-File	E140310
Comment	details about tests - see annex




### Features

Connecting thread standard length

A	ØC	L	SW1	SW2	H		Part No.
M16x1,5	5 - 9	5	17	17	30	100	50.616 M/EMVD
M20x1,5	9 - 13	6	22	22	33,5	100	50.620 M/EMVD
M25x1,5	11 - 16	7	27	27	36,5	50	50.625 M/EMVD
M32x1,5	14 - 20	8	34	34	38	25	50.632 M/EMVD
M40x1,5	19 - 27	8	43	43	41	10	50.640 M/EMVD
M50x1,5	24 - 35	9	55	55	49,5	5	50.650 M/EMVD
M63x1,5	32 - 42	10	65	65	52,5	5	50.663 M/EMVD

## Connecting thread long

A	ØC	L	SW1	SW2	H		Part No.
M16x1,5	5 - 9	10	17	17	35	100	50.616 M/EMVDL
M20x1,5	9 - 13	10	22	22	37,5	100	50.620 M/EMVDL
M25x1,5	11 - 16	11	27	27	40,5	50	50.625 M/EMVDL
M32x1,5	14 - 20	13	34	34	43	25	50.632 M/EMVDL
M40x1,5	19 - 27	13	43	43	46	10	50.640 M/EMVDL

calpe