



Enlarger

MxxPGxx/OME

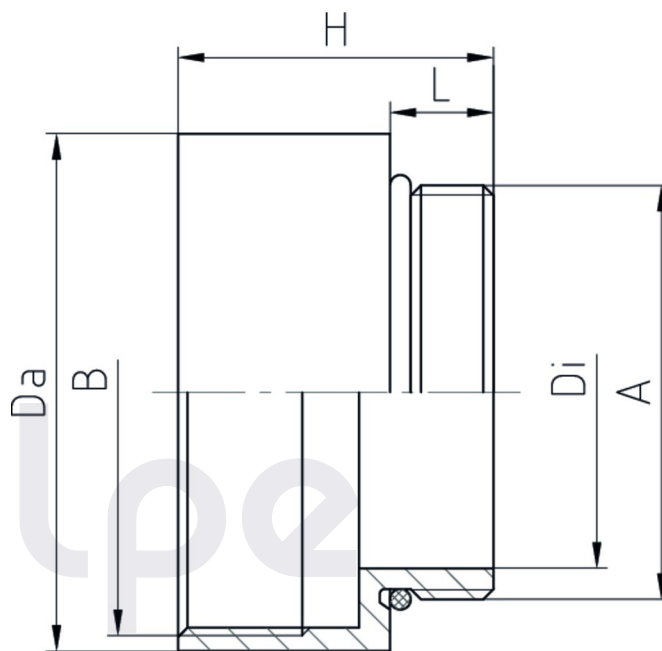
Enlarger	Brass CuZn39Pb3, nickel-plated
O-ring	Nitrile rubber NBR
External thread	metric, as per EN 60423
Internal thread	Pg as per DIN 40430



Properties

Temperature range	-40 °C +100 °C
Protection grade	max. IP68 dependent on the combination with other components

- adapter for enlarging metric to Pg-threaded holes



Features

A	B	L	H	Da	Di		Part No.
M12x1,5	Pg 9	5	16	17	8	100	M12PG9/OM
M16x1,5	Pg 11	5	16,5	20	12	100	M16PG11/OM
M20x1,5	Pg 16	6	19,5	24	15	100	M20PG16/OM
M25x1,5	Pg 21	7	21,5	30	21	50	M25PG21/OM
M32x1,5	Pg 29	8	25	39	26	50	M32PG29/OM
M40x1,5	Pg 36	8	28,5	50	34	25	M40PG36/OM
M50x1,5	Pg 42	9	32	57	44	10	M50PG42/OM
M50x1,5	Pg 48	9	33	64	44	10	M50PG48/OM