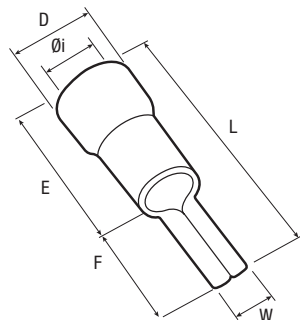
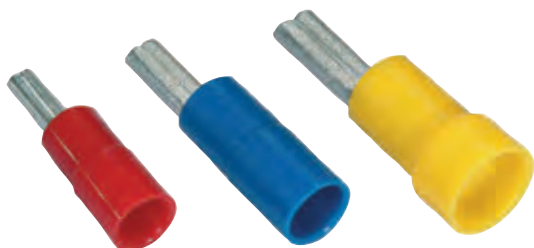
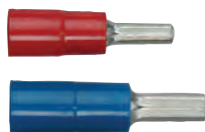




# Insulated Brazen Pins

## General features

- ✓ Material: tin-plated copper.
- ✓ Insulation sleeve: polyamide.
- ✓ "Easy entry" conical entry.
- ✓ Brazen barrel.



	Item code	Part No.	W	F	L	E	Ø i	D
● 10	7380407	EPR10-12	4.3	12	34	20	4.5	7.8
● 16	7380408	EPR16-13	5.5	13	40.7	24.7	5.8	10.8
● 25	7380409	EPR25-15	6.8	15	44	24	7	12.4
● 35	7380411	EPR35-20	8	20	52.5	28	8.4	14
● 50	7380412	EPR50-20	9.5	20	59	33	9.6	15.5



Conductor size (mm<sup>2</sup>)



Packing

Unless otherwise stated, all dimensions are in millimeters.